

ELECTRICAL SPECIFICATIONS:

- |     |                                                    |                                          |
|-----|----------------------------------------------------|------------------------------------------|
| 1.0 | Turns Ratio: (P12-P18-P13) : (J3-J6)               | : 1CT : 1CT ±3%                          |
|     | (P10-P9-P11) : (J1-J2)                             | : 1CT : 1CT ±3%                          |
| 2.0 | Inductance: (P12-P13)                              | : 400uH MIN. @ 0.1V, 100KHz, 8mA DC Bias |
|     | (J1-J2)                                            | : 400uH MIN. @ 0.1V, 100KHz, 8mA DC Bias |
| 3.0 | Leakage Inductance: P12-P13 (WITH J6 AND J3 SHORT) | : 0.3uH MAX. @ 1MHz                      |
|     | P10-P11 (WITH J2 AND J1 SHORT)                     | : 0.3uH MAX. @ 1MHz                      |
| 4.0 | Interwinding Capacitance: (P12,P13) TO (J6,J3)     | : 30pf MAX @ 1MHz                        |
|     | (P10,P9,P11) TO (J2,J1)                            | : 30pf MAX @ 1MHz                        |
| 5.0 | DC Resistance: (J6-J3)=(J2-J1)                     | : 1.2 ohms Max.                          |

**Bel Stewart Connector**  
 11118 Susquehanna Trail, South  
 Glen Rock, Pa 17327-0100  
 717.234.7512

**MagJack®**

<http://www.stewartconnector.com>

THIS DRAWING AND THE SUBJECT MATTER SHOWN THEREON ARE CONFIDENTIAL AND PROPERTY OF BEL STEWART CONNECTOR AND SHALL NOT BE REPRODUCED, COPIED, OR USED IN ANY MANNER WITHOUT PRIOR WRITTEN CONTENT OF BEL STEWART CONNECTOR. THE SUBJECT MATTER MAY BE PATENTED OR A PATENT MAY BE PENDING.

SHEET  
1 OF 4

DRAWING NO. SI-70027 REV. 11

6.0 RETURN LOSS: (P10-P11)=100 OHMS AND (J3-J6)=100 OHM REF.  
 1MHz TO 30MHz : -20dB MIN.  
 30MHz TO 60MHz : -(19-20LOG (f/30MHz)) MIN  
 80MHz : -12dB MIN.

NOTE: 100 OHMS CONNECTED TO (J2-J1) OR (P12-P13).

7.0 DIELECTRIC WITHSTAND: (J1, J2) TO (P10, P11) : 1500 RMS  
 (J3, J6) TO (P12,P13) : 1500 RMS

8.0 INSERTION LOSS: RS=RL=100 ohms : -1 dB MAX  
 1MHz TO 65MHz

9.0 RISE TIME: RS=100 OHMS AND RL = 100 OHMS : 3.0 nS MAX  
 OUTPUT VOLTAGE = 1 V peak : 3.0 nS MAX  
 PULSE WIDTH= 112nS

10.0 CROSS TALK: 1-65 MHz : -35 dB MIN.

11.0 COMMON TO COMMON MODE ATTENUATION: 30MHz TO 100MHz : -30 dB MIN  
 100MHz TO 130MHz : -20 dB MIN

**Bel Stewart Connector**  
 11118 Susquehanna Trail, South  
 Glen Rock, Pa 17327-0100  
 717.234.7512

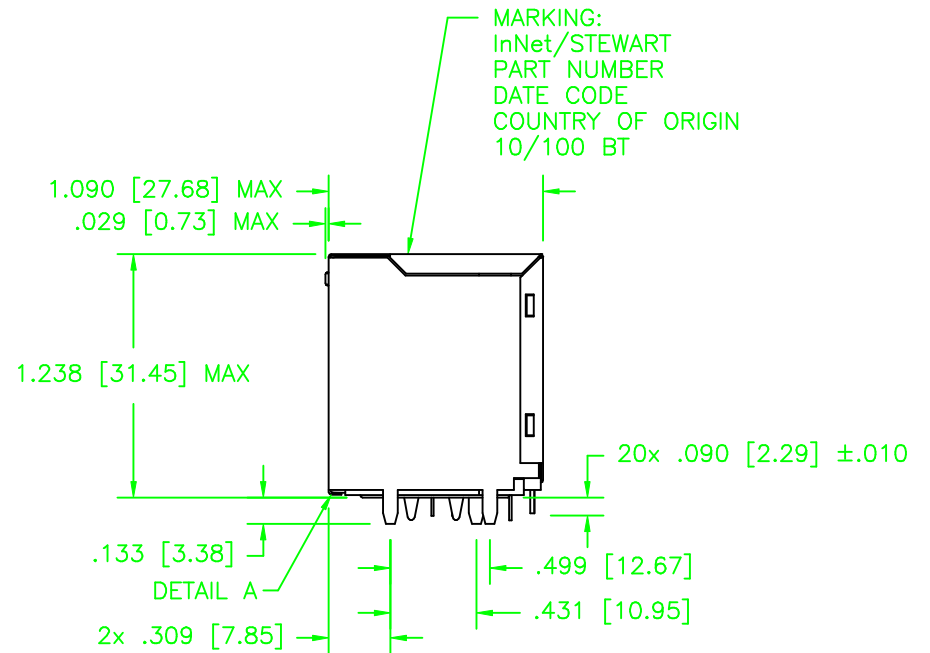
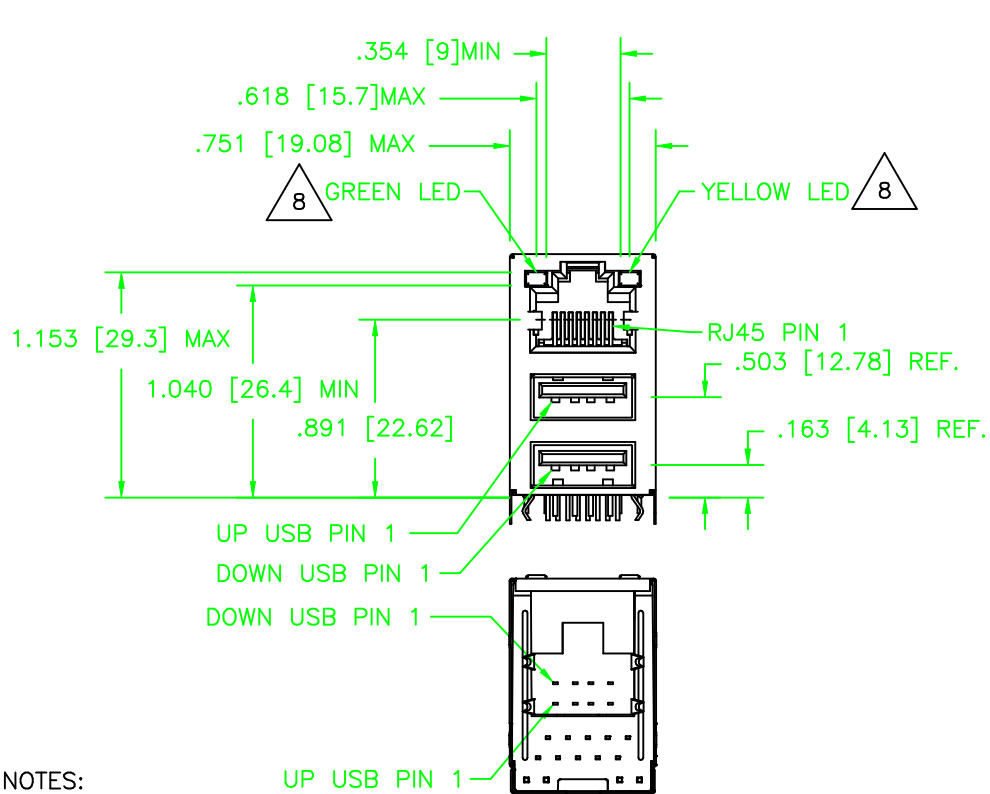
**MagJack®**

<http://www.stewartconnector.com>

THIS DRAWING AND THE SUBJECT MATTER SHOWN THEREON ARE CONFIDENTIAL AND PROPERTY OF BEL STEWART CONNECTOR AND SHALL NOT BE REPRODUCED, COPIED, OR USED IN ANY MANNER WITHOUT PRIOR WRITTEN CONTENT OF BEL STEWART CONNECTOR. THE SUBJECT MATTER MAY BE PATENTED OR A PATENT MAY BE PENDING.

SHEET  
2 OF 4

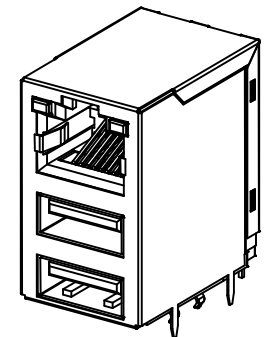
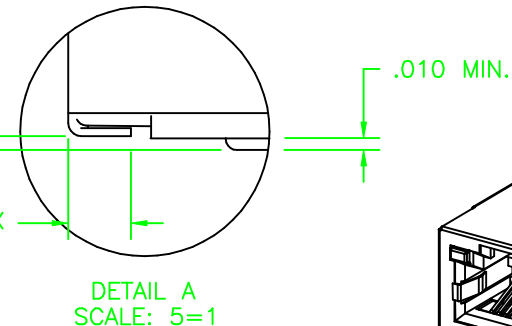
DRAWING NO. SI-70027 REV. 11



NOTES:

- 1.0 TOLERANCE COMPLY WITH FCC DIMENSION REQUIREMENTS.
- 2.0 MATERIAL:  
 PLASTIC: UL94V-0  
 TERMINAL USB: CERTIFIED TO USB SPEC 2.0  
 TERMINAL RJ45: 50 MICRONS Au OVER 50 MICRONS Ni OVER PHOSBRONZE SHIELD, BOTH USB AND RJ45: BRASS PLATED W/EITHER Ni OR TIN-LEAD
- 3.0 GENERAL TOLERANCE: ±.005 [.127]
- 4.0 INSERTION FORCE RJ45: 9.0 lbs MAX  
 INSERTION FORCE USB: 7.7 lbs MAX
- 5.0 WITHDRAW FORCE RJ45: 2.9 lbs MIN  
 WITHDRAW FORCE USB: 2.2 lbs MIN
- 6.0 DURABILITY FORCE RJ45: 1000 INSERTIONS  
 DURABILITY FORCE USB: 1500 INSERTIONS
- 7.0 CONNECTOR TO PCB INSERTION FORCE: 8.6 lbs MAX

 LED LENS LOCATED IN THE FRONT SURFACE



**Bel Stewart Connector**  
 11118 Susquehanna Trail, South  
 Glen Rock, Pa 17327-0100  
 717.234.7512

**MagJack®**

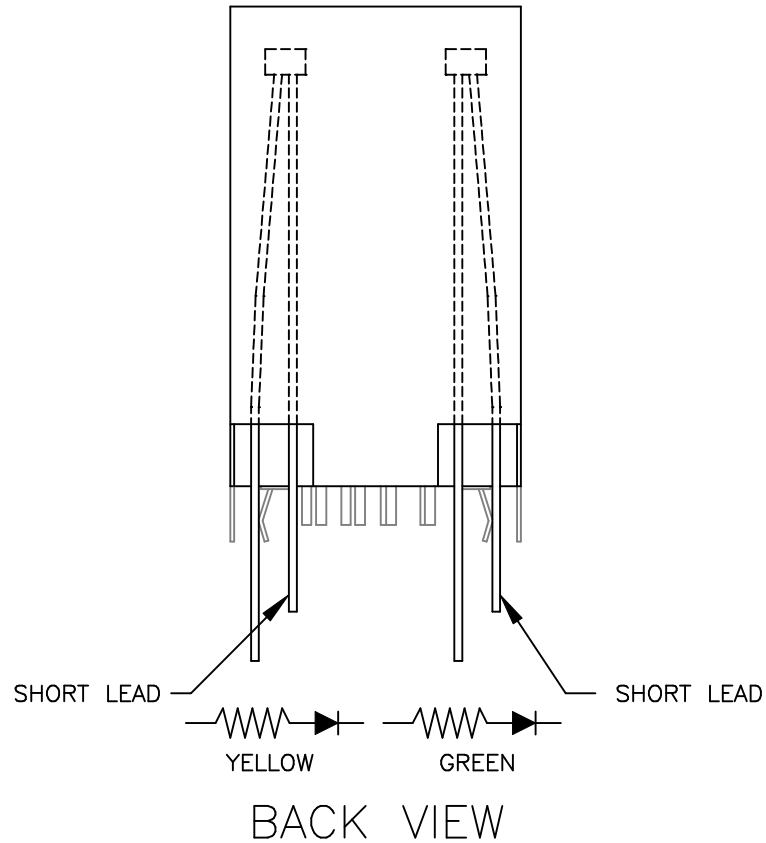
<http://www.stewartconnector.com>

THIS DRAWING AND THE SUBJECT MATTER SHOWN THEREON ARE CONFIDENTIAL AND PROPERTY OF BEL STEWART CONNECTOR AND SHALL NOT BE REPRODUCED, COPIED, OR USED IN ANY MANNER WITHOUT PRIOR WRITTEN CONTENT OF BEL STEWART CONNECTOR. THE SUBJECT MATTER MAY BE PATENTED OR A PATENT MAY BE PENDING.

SHEET  
3 OF 4

DRAWING NO. SI-70027 REV. 04

# LED INSTALLATION AND POLARITY



**Bel Stewart Connector**  
11118 Susquehanna Trail, South  
Glen Rock, Pa 17327-0100  
717.234.7512

**MagJack®**

<http://www.stewartconnector.com>

THIS DRAWING AND THE SUBJECT MATTER SHOWN THEREON ARE CONFIDENTIAL AND PROPERTY OF BEL STEWART CONNECTOR AND SHALL NOT BE REPRODUCED, COPIED, OR USED IN ANY MANNER WITHOUT PRIOR WRITTEN CONTENT OF BEL STEWART CONNECTOR. THE SUBJECT MATTER MAY BE PATENTED OR A PATENT MAY BE PENDING.

SHEET  
4 OF 4

DRAWING NO. SI-70027

REV.