

The VP7615 iCamHost™ Processor chip can decode the signals from a variety of iVision™ compatible digital video cameras (such as Silicon Vision's iCam™) and process them for use in a host computer system. Digital cameras can offer real cost and performance gains in applications which require a digital video input, and iVision technology realises both these benefits. In a typical analog camera the digitised output from the CCD imager is normally encoded into an analog composite video signal which then has to be re-digitised at the input to the host system. By employing the iVision approach the output from the camera is maintained as a digital signal, but in a format which allows for a low cost 9-wire connection to the host. Eliminating the unnecessary conversion to an analog signal and back again not only saves cost, but also avoids any possible degradation of image quality. Other benefits include direct control of the camera from the host and the ability to power the camera from the host system so saving the cost of a separate power supply.

The VP7615 supports two software selectable CamPort™ interface ports, either of which can receive the digital video from an iVision™ compatible digital video camera. The output is a standard colour digital video signal, similar to standard composite analog-digital decoder chips such as the Philips SAA7110 and SAA7111. All iCamHost™ operating modes are controlled by the host PC via an I²C interface. Hardware I/O controls include output enable and I²C address offset.

NOTE: iCam™, CamPort™ and iCamHost™ are trademarks of Silicon Vision, Inc., Fremont, CA

ORDERING INFORMATION

VP7615 CG FP1N

FEATURES

- Accommodates different camera configurations based on a variety of CCD imager resolutions
- Requires only a small, low-cost 9 pin mini-DIN to connect to camera
- Receives the image signal from the camera in digital form at a frame rate determined by the host
- Decodes all necessary synchronisation and clock signals from the digital data stream
- Programmable gamma correction curve in RGB colour space
- Programmable colour-separation matrix
- Collects image status data within user-defined rectangular gated zone of CCD sensor
- Programmable horizontal and vertical aperture correction
- Pin-strap selectable output format in 16 bit YUV 4:2:2 or 8 bit CCIR 656 YUV 4:2:2
- Test pattern generator for SMPTE colourbars
- Bypass mode to output unprocessed 8 bit CCD pixel samples in the luminance channel
- Dual iCamPort™ camera input ports, software selectable
- Completely iVision™ Compatible
- Eight general purpose I/O pins for board level configuration control and/or status
- Programmable polarity for HSYNC, VSYNC, HACT & VACT control outputs
- Chip pinout is backwards compatible with VP7610

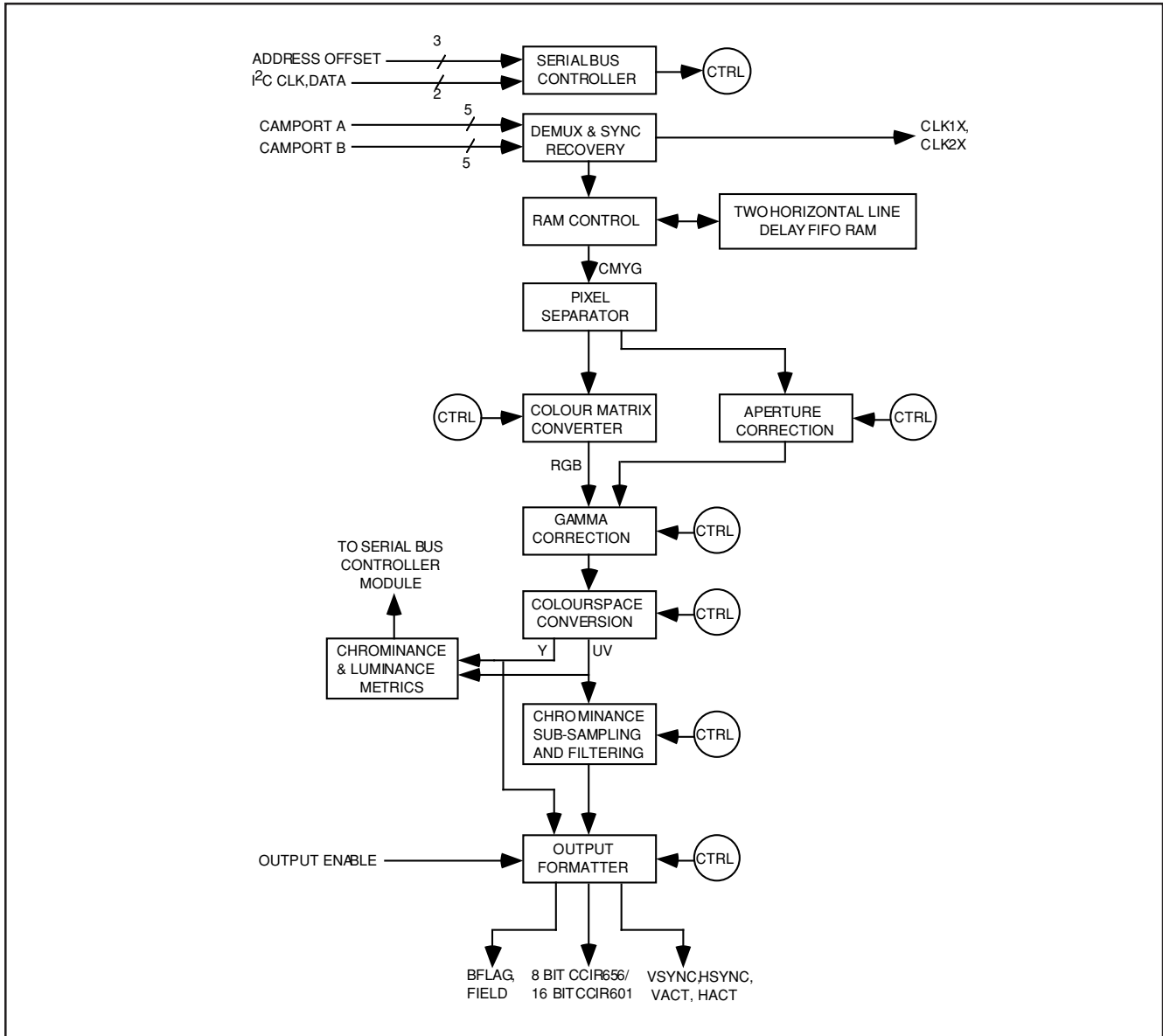


Fig.1 Functional Block Diagram

THEORY OF OPERATION

General Overview

The VP7615 iCamHost™ is a fully synchronous real-time pipeline pixel processor for converting digitized CCD photosite samples into co-sited, colour calibrated, gamma corrected and aperture corrected digital video in an industry-conventional format similar to analog video decoders. The VP7615 supports the full iVision™ Command Set for control of camera head functions such as frame rate, resolution, exposure and colour depth via the CamPort™ Interface. Access to all registers and functions is provided by an I²C state machine.

Demux and sync recovery

The incoming CCD photosite bytes come in a single nibble at a time in a “big-endian” fashion from one of two CamPort™s. These nibbles are clocked in via a separate pixel clock signal. The formatting signals such as start of active video, end of active video, and start of new frame are all encoded into the nibble stream. The output is an 8 bit byte of CCD sample for each pixel clock, as well as separate horizontal and vertical sync signals.

RAM control & 2H line delay FIFO RAM

Since the iCamHost™ assumes an interlaced scanning CCD with a CMYG colour mosaic format, the colour content is derived from different locations around where the output video pixel is desired. Specifically, the first line from the CCD contains “red-like” colour content, alternating with the following line containing “blue-like” colour content. The third line is real-time, and the first opportunity to output properly co-sited luminance and chrominance as though the colour pixels were superimposed upon themselves, all on the second line.

Pixel separator

Since the colourspace converter requires the 3 most recent lines of CCD data, this block handles the shuffling of either the 2 red and 1 blue line, or 2 blue and 1 red line of data.

Colour matrix converter

The input to this converter is derived from the relative sums and differences of the above 3 lines of sample data, and processes them through a programmable 3x3 matrix multiplier. The output is colour-separated and calibrated RGB samples.

Gamma corrector

Since CRT monitors have a non-linear RGB intensity response to input signal, gamma correction must be performed in RGB space as well to prevent cross-coupling errors between luminance and chrominance. This block is a programmable 16 line-segment curve generator to provide not only gamma correction, but any arbitrary contiguous curve of positive slope, with end points at any level to adjust contrast and range.

Colourspace converter

Since the output of the processor is to be YUV and not RGB, a fixed-coefficient 3x3 matrix converter is used.

Chrominance sub-sampling & filtering

Spatial sub-sampling and filtering is performed since the output sampling format must be reduced from 4:4:4 to 4:2:2 because most video systems do not require more chrominance data for video camera input.

Output formatter

Devices taking digital video input such as capture, graphics and compression chips usually require the YUV to be formatted either in CCIR601 16 bit mode (YU then YV) or CCIR656 8 bit mode (U then Y then V then Y). The output mode (8 vs 16 bit) CCIR601 is pin-strap selectable. Additional control register bits may be used to swap the luma and chroma data or to swap the order of U and V data to support the video input requirements of a variety of bus master or graphics chip video interfaces without external glue logic. The polarity of VSYNC, HSYNC, VACT and HACT is also programmable. An output enable input signal may be used when “bussing” the output with other video decoders. Other useful signals such as field and colour flags are also provided. Timing diagrams illustrating the function of the video outputs at different time scales are given in figures 5 to 8.

Aperture corrector

Since both the luminance and chrominance are derived from spatially spread pixels and the ideal output would be as though all the pixels were superimposed upon one another, a programmable vertical and horizontal aperture correction can be applied to either “soften” or “sharpen” the image.

Scene-sensing luminance and chrominance metrics

There are no hard-wired closed-loop control circuits in the processor. To achieve great flexibility in control over the behavior of the camera head and processor system, a user-defined region of interest is programmed which provides statistical information about the field of video only within that region. Peak luminance, total luminance, total red chrominance and total blue chrominance are provided and updated after each field.

Serial bus control

To provide read-write control over the registers within the processor, a standard I²C state-machine is provided. Its address may be offset by 3 bits to preclude address conflicts.

VP7615

PERFORMANCE

PARAMETER	MAXIMUM VALUE OR SPECIFICATION
CCD Resolution	Up to 768 pixels per line
Field Rate	Up to 60 fields per second
Video Sample Rate	30 MHz. max. input clock rate, 15MHz. max. output clock rate
Video Sample Quantisation	8 bit samples in 2 nibbles of 4 bits each
Control Signals	Standard I ² C protocol
Configuration Inputs	I ² C address offset, output enable
Gamma Correction	Programmable via 16 arbitrary connected line segments
Output Format	CCIR601 compliant 4:2:2 digital video, pixels per line=CCD pixels
Output Colourspace	YCrCb luminance & chrominance
Output Signals	16 bit digital video, H & V sync, 1X & 2X clock, field ID, chroma ID
Power Consumption	950mW

STATUS REGISTERS

FUNCTION	SIZE	DESCRIPTION
Gated Luminance Sum	32 bits	Sum of luminance values within gated zone
Gated Luminance Peak	8 bits	Value of peak luminance pixel(s) within gated zone
Gate Red Chrominance Sum	32 bits	Sum of red chrominance values within gated zone
Gated Blue Chrominance Sum	32 bits	Sum of blue chrominance values within gated zone

CONTROL REGISTERS

FUNCTION	SIZE	DESCRIPTION
Colour Calibration Matrix	78 bit	9x9 bit signed coefficients converting CMYG to RGB
Gating Zone Start Pixel	16 bits	8 bits for column # and for row #, in 4 pixel increments
Gating Zone End Pixel	16 bits	8 bits for column # and for row #, in 4 pixel increments
Gamma Correction	128 bit	Locus of 16 points of 8 bits each forms many curves
Horiz. Aperture Correction	4 bits	00H = 0%, 40H = +100%, 70H = +175%, F0H= -175%
Vert. Aperture Correction	4 bits	00H = 0%, 40H = + 50%, 70H = + 87%, F0H= - 87%
Processor bypass	2 bits	0=normal, 1=pass raw 8 bit samples to Y output pins
CamPort™ select	1 bit	0=port A, 1=port B
Test pattern generator	1 bits	0=live video, 1=colourbars

SIGNALS & PINOUT

Pin #	I/O	Name	Description
60	In*	CPCKA	Clock - This input receives the clock from the CamPort™ camera on port A.
54	In*	CPDA3	CamPort™ Data Bit 3 - This bus receives the data from the CamPort™ camera on port A.
55	In*	CPDA2	CamPort™ Data Bit 2 - Port A
56	In*	CPDA1	CamPort™ Data Bit 1 - Port A
59	In*	CPDA0	CamPort™ Data Bit 0 - Port A
88	In*	CPCKB	CamPort™ B Clock - This input receives the clock from the CamPort™ camera on port B.
84	In*	CPDB3	CamPort™ B Data Bit 3 - This bus receives the data from the CamPort™ camera on port B.
85	In*	CPDB2	CamPort™ B Data Bit 2
86	In*	CPDB1	CamPort™ B Data Bit 1
87	In*	CPDB0	CamPort™ B Data Bit 0
91	Out	CPSEL	CamPort™ Select Status - When this output is low, the data from CamPort™ A is being used, when this output is high, the data from CamPort™ B is being used. This pin is controlled by Bit 3 of the Configuration Register (sub-address = 0x00).
44	In	RSTN	Reset Not - When this Schmitt trigger input is low, the chip is placed into a known state. When this input is high, the chip can operate.
11	Out	YY7	Luminance Out bit 7 - When CCSEL is low this bus carries the luminance data. When CCSEL is high this bus carries multiplexed luminance and chrominance data
10	Out	YY6	Luminance Out bit 6
9	Out	YY5	Luminance Out bit 5
6	Out	YY4	Luminance Out bit 4
5	Out	YY3	Luminance Out bit 3
4	Out	YY2	Luminance Out bit 2
3	Out	YY1	Luminance Out bit 1
2	Out	YY0	Luminance Out bit 0
23	Out	UV7	Chrominance Out bit 7 - When CCSEL is low this bus carries the chrominance data. When CCSEL is high this bus carries a constant value of 0x80 (128).
22	Out	UV6	Chrominance Out bit 6
21	Out	UV5	Chrominance Out bit 5
20	Out	UV4	Chrominance Out bit 4
17	Out	UV3	Chrominance Out bit 3
16	Out	UV2	Chrominance Out bit 2
15	Out	UV1	Chrominance Out bit 1
14	Out	UV0	Chrominance Out bit 0
24	Out	CLK2	Clock Out 2X - This clock runs at twice the pixel rate
27	Out	CLK1	Clock Out 1X - This clock runs at the pixel rate.
34	In	OUTEN	Output Enable - When this input is low, the signals YY[7..0], UV[7..0], HSYNC, VSYNC, CLK2, CLK1, HACT, VACT, FIELD and BFLAG are driven. When this input is high, these signals are high-impedance.

* CamPort inputs are TTL levels. All other inputs are CMOS. See Static Electrical Characteristics table.

VP7615

12	Out	VSYNC	Vertical Sync - This signal goes active for 3 horizontal lines to mark the beginning of each field. In Odd fields, it starts and ends when HSYNC and HACT are low. In Even fields, it starts and ends when HSYNC and HACT are active. This signal's polarity is programmable, but defaults to active low on reset.
13	Out	HSYNC	Horizontal Sync - This signal goes active and returns inactive in the horizontal blanking interval to mark the beginning of each line. This signal's polarity is programmable, but defaults to active low on reset.
28	Out	HACT	Horizontal Active - This signal is active when there is valid video data on the luminance and chrominance busses. Data is valid only when this signal and VACT are active. HACT can be programmed to only go active on active lines (HACT = HACT AND VACT), but defaults at reset to active on all lines. This signal's polarity is also programmable, but defaults to active high on reset.
29	Out	VACT	Vertical Active - This signal is active when there is valid video data on the luminance and chrominance busses. Data is valid only when this signal and HACT are active. VACT can be programmed to only go active on active lines during active pixels (VACT = HACT AND VACT), but defaults at reset to active for entire lines only. This signal's polarity is also programmable, but defaults to active high on reset.
30	Out	FIELD	Field Flag - This signal indicates the field. When it is low, the field is odd. When it is high, the field is even.
31	Out	BFLAG	Blue Flag - This signal indicates when Blue chrominance data is on the chrominance bus.
35	In	CCSEL	CCIR 656 Select - When this input is high, the YY[7..0] bus carries multiplexed luminance and chrominance data in conformance with CCIR 656. When this signal is low, the YY[7..0] bus carries only luminance data.
36	In	RCLK	Register Clock - This input clocks the control circuitry in the chip and must be running in order to access the registers via the I ² C bus. The frequency on this input should be between 10 and 33 MHz.
38	In	INVI	Inverter In - This CMOS Schmidt trigger input controls the INVO output. This inverter can be used to form an RC oscillator to drive the input RCLK. It is typically connected through a resistor to INVO and through a capacitor to GND. This oscillator has a period roughly equal to the time constant R*C.
37	Out	INVO	Inverter Out - This signal outputs the opposite level from that applied to INVI. If this inverter is used to form an RC oscillator, this pin would be connected to RCLK.
42	In	OSXI	Oscillator Crystal Input - The crystal oscillator is another way to produce a clock for the input RCLK. A crystal is connected between this input and OSXO.
41	Out	OSXO	Oscillator Crystal Output - A crystal is connected between this output and OSXI.
39	Out	OSCO	Oscillator Output - If the crystal oscillator is used to produce the register clock, this CMOS output drives the RCLK input.
45	In	IAD3	I ² C Address Select Bit 3 - The IAD[3..1] inputs select the I ² C address that the chip will respond to. The address is $0x60 + 8 * IAD3 + 4 * IAD2 + 2 * IAD1$.
43	In	IAD2	I ² C Address Select Bit 2
40	In	IAD1	I ² C Address Select Bit 1
48	In	SDAI	Serial Data In - This input is connected to the I ² C Data line. It may be connected through a filter to reduce noise susceptibility.
47	Out	SDAO	Serial Data Out - This open-drain output connects directly to the I ² C Data line.
46	Out	SDMN	Serial Data Monitor - This output is low when the SDAO output is driving low. This output is high when the SDAO output is high impedance.
49	In	SCLI	Serial Clock In - This input is connected to the I ² C Clock line. It may be connected through a filter to reduce noise susceptibility.

89	Out	SCLOA	Serial Clock Out Port A - This output drives the level on the SCLI input when the CamPort™ A is selected. When the CamPort™ B is selected this output is driven high. This is not an open-drain output.
90	Out	SCLOB	Serial Clock Out Port B - This output drives the level on the SCLI input when the CamPort™ B is selected. When the CamPort™ A is selected this output is driven high. This is not an open-drain output.
99	Out	GPIO7	General Purpose I/O Bit 7 - This bus represents eight general purpose I/O pins. Each bit may programmed to be an input or an output; on reset, all GPIO pins default to high impedance (tri-state) inputs.
98	Out	GPIO6	General Purpose I/O Bit 6
97	Out	GPIO5	General Purpose I/O Bit 5
96	Out	GPIO4	General Purpose I/O Bit 4
95	Out	GPIO3	General Purpose I/O Bit 3
94	Out	GPIO2	General Purpose I/O Bit 2
93	Out	GPIO1	General Purpose I/O Bit 1
92	Out	GPIO0	General Purpose I/O Bit 0
52	In	TST0	Test Pin - This pin should be tied low.
53	In	TST1	Test Pin - This pin should be tied low.
61	In	TST2	Test Pin - This pin should be tied low.
62	In	TST3	Test Pin - This pin should be tied low.
63	In	TST4	Test Pin - This pin should be tied low.
71	In	TSTOE	Test Output Enable - This pin should be tied high.
64, 65, 66, 67, 70, 72, 73, 74, 77, 78, 79, 80, 81,	Out	TOUT	Test Outputs - These pins should be unconnected.
1, 7, 19, 25, 32, 51, 57, 69, 75, 82,	In	GND	Power
8, 18, 26, 33, 50, 58, 68, 76, 83, 100	In	VDD	Power

VP7615

REGISTER DESCRIPTIONS

The VP7615 iCamHost™ processor station address is strap-configurable to any even location between 0x60 and 0x6E inclusive. Since most iCam cameras currently built use the Station Address 0x68, it is recommended that the iCamHost™ be strapped to a different address. The register addresses shown below are the sub-addresses written to the iCamHost™ immediately after the Station Address. The 7 LSBs of the sub-address must match the specified address. The MSB of the sub-address controls the auto-increment feature of the iCamHost™. If the MSB of the sub-address is a '1', (sub-addresses 0x80 through 0xFF), the sub-address register in the iCamHost™ is incremented to the next address immediately after the data register is read or written. If the MSB of the sub-address is a '0', (sub-addresses 0x00 through 0x7F), the sub-address register in the iCamHost™ remains constant regardless of any reads or writes to the data register. All registers default to 0x00 following chip reset unless otherwise noted.

Address 0x00 Configuration Control Register						Read/Write	
7	6	5	4	3	2	1	0
0	0	0	0	Cfg3	Cfg2	Cfg1	Cfg0

Bits 7 - 4 Always read as '0'

Bit 3 Cfg3 - Camera Input Port Enable
 '1' CamPort™ 'B' is source
 '0' CamPort™ 'A' is source

Bit 2 Cfg2 - Colour Bar Enable
 '1' Colour Bar Test Pattern Output
 '0' Normal Video Output

Bit 1 Cfg1 - RGB to YUV Converter Bypass
 '1' Green + BnR Pattern Output
 '0' Normal YUV Output

Bit 0 Cfg0 - Separator Bypass
 '1' Sum = CCD Data, Diff = 0
 '0' Normal Separator Output

Address 0x01 RESERVED

Address 0x02 Peak Luma Filter Control Register						Read/Write	
7	6	5	4	3	2	1	0
0	0	0	0	0	PLF2	PLF1	PLF0

Bits 7 - 3 Always read as '0'

Bits 2 - 0 Peak Luma Filter Control
 '000' - PLF K = 1, No Luma Filter
 '001' - PLF K = 1/2, Fast Luma Filter
 '010' - PLF K = 1/4, Med Fast Luma Filter
 '011' - PLF K = 1/8, Med Slow Luma Filter
 '1XX' - PLF K = 1/16, Slow Luma Filter

Address 0x03 RESERVED

Address 0x04 Horizontal Start Register						Read/Write	
7	6	5	4	3	2	1	0
HStrt7	HStrt6	HStrt5	HStrt4	HStrt3	HStrt2	HStrt1	HStrt0

Bits 7 - 0 Horizontal Start Register
 Four times the value of this register is the
 Horizontal starting pixel for the Metrics window.

Address 0x05 Horizontal Stop Register**Read/Write**

7	6	5	4	3	2	1	0
HStop7	HStop6	HStop5	HStop4	HStop3	HStop2	HStop1	HStop0

Bits 7 - 0 Horizontal Stop Register
 Four times the value of this register is the
 Horizontal ending pixel for the Metrics window.

Address 0x06 Vertical Start Register**Read/Write**

7	6	5	4	3	2	1	0
VStrt7	VStrt6	VStrt5	VStrt4	VStrt3	VStrt2	VStrt1	VStrt0

Bits 7 - 0 Vertical Start Register
 Four times the value of this register is the
 Vertical starting line (in the frame) for the
 Metrics window (two times in the field).

Address 0x07 Vertical Stop Register**Read/Write**

7	6	5	4	3	2	1	0
VStop7	VStop6	VStop5	VStop4	VStop3	VStop2	VStop1	VStop0

Bits 7 - 0 Vertical Stop Register
 Four times the value of this register is the
 Vertical ending line (in the frame) for the
 Metrics window (two times in the field).

Address 0x08 Horizontal Aperture Control Register**Read/Write**

7	6	5	4	3	2	1	0
HApt7	HApt6	HApt5	HApt4	0	0	0	0

Bits 7 Horizontal Aperture Sign Bit
 '1' Correction is negative (blurring)
 '0' Correction is positive (sharpening)

Bits 6 - 4 Horizontal Aperture Control Value
 '000' - No Aperture Correction
 |
 '111' - Maximum Aperture Correction

Bits 3 - 0 Always read as '0'

Address 0x09 Vertical Aperture Control Register**Read/Write**

7	6	5	4	3	2	1	0
VApt7	VApt6	VApt5	VApt4	0	0	0	0

Bits 7 Vertical Aperture Sign Bit
 '1' Correction is negative (blurring)
 '0' Correction is positive (sharpening)

Bits 6 - 4 Vertical Aperture Control Value
 '000' - No Aperture Correction
 |
 '111' - Maximum Aperture Correction

Bits 3 - 0 Always read as '0'

VP7615

Address 0x0A GPIO Output Control Register

Read/Write

7	6	5	4	3	2	1	0
GPOE7	GPOE6	GPOE5	GPOE4	GPOE3	GPOE2	GPOE1	GPOE0

Bit 7 GPIO7 Output Enable
 Bit 6 GPIO6 Output Enable
 Bit 5 GPIO5 Output Enable
 Bit 4 GPIO4 Output Enable
 Bit 3 GPIO3 Output Enable
 Bit 2 GPIO2 Output Enable
 Bit 1 GPIO1 Output Enable
 Bit 0 GPIO0 Output Enable

'0' = Corresponding GPIO pin is tristated/not driven.

'1' = Corresponding GPIO pin is driven to level of corresponding bit in GPIO Output Register.

Address 0x0B GPIO Output Register

Write Only

7	6	5	4	3	2	1	0
GPO7	GPO6	GPO5	GPO4	GPO3	GPO2	GPO1	GPO0

Bit 7 GPIO7 Output Level
 Bit 6 GPIO6 Output Level
 Bit 5 GPIO5 Output Level
 Bit 4 GPIO4 Output Level
 Bit 3 GPIO3 Output Level
 Bit 2 GPIO2 Output Level
 Bit 1 GPIO1 Output Level
 Bit 0 GPIO0 Output Level

'0' = If corresponding GPIO Output Enable bit is '1', then drive the appropriate GPIO pin to '0'

'1' = If corresponding GPIO Output Enable bit is '1', then drive the appropriate GPIO pin to '1'

'X' = If the corresponding GPIO Output Enable bit is '0', then tri-state the appropriate GPIO pin.

Address 0x0B GPIO Input Register

Read Only

7	6	5	4	3	2	1	0
GPI7	GPI6	GPI5	GPI4	GPI3	GPI2	GPI1	GPI0

Bits 7 - 0 GPIO Input Register

This register represents the level on the corresponding GPIO pins.

Address 0x0C Output Sense Control Register						Read/Write	
7	6	5	4	3	2	1	0
SWPYUV	SWPUV	VAG	HAG	VAS	HAS	VSS	HSS

- Bit 7 SWPYUV - YY and UV Swap
 '0' = Normal: YY and UV are in proper positions
 CCIR601 output mode: YY data on YY bus; UV data on UV bus CCIR656 output mode: UYVY
 '1' = Swapped: YY and UV in each other's positions
 CCIR601 output mode: UV data on YY bus; YY data on UV bus CCIR656 output mode: YUYV .
- Bit 6 SWPUV - UV Swap
 '0' = Normal: U and V are in position for CCIR601/656: U before V
 '1' = Swapped: U and V are swapped in time: V before U
- Bit 5 VAG - VACT Gate
 '1' = Gated: VACT active gated by HACT
 '0' = Normal: VACT active during Active Lines
- Bit 4 HAG - HACT Gate
 '1' = Gated: HACT active gated by VACT
 '0' = Normal: HACT active during Active Pixels
- Bit 3 VAS - VACT Sense
 '1' = Active High: VACT = 1 during Active Lines
 '0' = Active Low: VACT = 0 during Active Lines
- Bit 2 HAS - HACT Sense
 '1' = Active High: HACT = 1 during Active Pixels
 '0' = Active Low: HACT = 0 during Active Pixels
- Bit 1 VSS - VSYNC Sense
 '1' = Active High: VSYNC = 1 during Vertical Sync
 '0' = Active Low: VSYNC = 0 during Vertical Sync
- Bit 0 HSS - HSYNC Sense
 '1' = Active High: HSYNC = 1 during Horizontal Sync
 '0' = Active Low: HSYNC = 0 during Horizontal Sync

This register defaults on chip reset to 0x0C.

Address 0x0D VACT Control Register							Read/Write
7	6	5	4	3	2	1	0
VAFIX	0	VFCnt5	VFCnt4	VFCnt3	VFCnt2	VFCnt1	VFCnt0

- Bit 7 VAFIX - VACT Control
 This bit provides backward compatibility for certain iCam cameras.
 '0' = Disabled: VACT controlled by camera timing
 '1' = Enabled: VACT is inactive during a fixed number of lines during Vertical Blanking.
 This only effects the end, and not the beginning, of Vertical Blanking.
- Bit 6 Always read as '0'
- Bits 5 - 0 VFCnt5 - VFCnt0
 This field modifies the end of Vertical Blanking if VAFIX is '1' by setting the number of lines that VACT will be inactive during Vertical Blanking.

This register defaults on chip reset to 0x3F.

VP7615

Address 0x0E Hardware Version Register

Read Only

7	6	5	4	3	2	1	0
HVer7	HVer6	HVer5	HVer4	HVer3	HVer2	HVer1	HVer0

Bits 7 - 0 Hardware Version Register
0x10 - VP7600
0x11 - VP7610
0x12 - VP7615

Address 0x0F Timing Status Register

Read Only

7	6	5	4	3	2	1	0
FCnt5	FCnt4	FCnt3	FCnt2	FCnt1	FCnt0	Fld	VBlk

Bits 7 - 2 Field Count
A number between 0 and 63 which increments at the beginning of every Vertical Blanking Interval

Bit 1 Field Bit
 '1' Even Field - Digital Field 2
 '0' Odd Field - Digital Field 1

Bit 0 Vertical Blanking
 '1' Vertical Blanking Interval
 '0' Vertical Active Interval

Address 0x10 Lower Byte Red Chroma Register	Read Only
This register contains Bits 07 - 00 of the Sum of the Red Chrominance of the pixels within the Metrics window.	
Address 0x11 Lower Middle Byte Red Chroma Register	Read Only
This register contains Bits 15 - 08 of the Sum of the Red Chrominance of the pixels within the Metrics window.	
Address 0x12 Upper Middle Byte Red Chroma Register	Read Only
This register contains Bits 23 - 16 of the Sum of the Red Chrominance of the pixels within the Metrics window.	
Address 0x13 Upper Byte Red Chroma Register	Read Only
This register contains Bits 31 - 24 of the Sum of the Red Chrominance of the pixels within the Metrics window.	
Address 0x14 Lower Byte Blue Chroma Register	Read Only
This register contains Bits 07 - 00 of the Sum of the Blue Chrominance of the pixels within the Metrics window.	
Address 0x15 Lower Middle Byte Blue Chroma Register	Read Only
This register contains Bits 15 - 08 of the Sum of the Blue Chrominance of the pixels within the Metrics window.	
Address 0x16 Upper Middle Byte Blue Chroma Register	Read Only
This register contains Bits 23 - 16 of the Sum of the Blue Chrominance of the pixels within the Metrics window.	
Address 0x17 Upper Byte Blue Chroma Register	Read Only
This register contains Bits 31 - 24 of the Sum of the Blue Chrominance of the pixels within the Metrics window.	
Address 0x18 Lower Byte Luminance Register	Read Only
This register contains Bits 07 - 00 of the Sum of the Luminance of the pixels within the Metrics window.	
Address 0x19 Lower Middle Byte Luminance Register	Read Only
This register contains Bits 15 - 08 of the Sum of the Luminance of the pixels within the Metrics window.	
Address 0x1A Upper Middle Byte Luminance Register	Read Only
This register contains Bits 23 - 16 of the Sum of the Luminance of the pixels within the Metrics window.	
Address 0x1B Upper Byte Luminance Register	Read Only
This register contains Bits 31 - 24 of the Sum of the Luminance of the pixels within the Metrics window.	
Address 0x1C Peak Luminance Register	Read Only
This register contains the peak value of the filtered Luminance of the pixels within the Metrics window.	
Address 0x20 Sum to Red Coefficient Register	Read/Write
This register contains the magnitude of the Coefficient which determines the contribution to the Red signal from the Sum signal.	
Address 0x21 AmB to Red Coefficient Register	Read/Write
This register contains the magnitude of the Coefficient which determines the contribution to the Red signal from the AmB signal.	
Address 0x22 CmD to Red Coefficient Register	Read/Write
This register contains the magnitude of the Coefficient which determines the contribution to the Red signal from the CmD signal.	

VP7615

Address 0x23 Red Coefficients Sign Register Read/Write

7	6	5	4	3	2	1	0
0	0	0	0	0	0	RCmD	RAmB

Bit 1 Sign for CmD to Red Coefficient
 Bit 0 Sign for AmB to Red Coefficient
 '1' Coefficient is negative
 '0' Coefficient is positive

Address 0x24 Sum to Green Coefficient Register Read/Write

This register contains the magnitude of the Coefficient which determines the contribution to the Green signal from the Sum signal.

Address 0x25 AmB to Green Coefficient Register Read/Write

This register contains the magnitude of the Coefficient which determines the contribution to the Green signal from the AmB signal.

Address 0x26 CmD to Green Coefficient Register Read/Write

This register contains the magnitude of the Coefficient which determines the contribution to the Green signal from the CmD signal.

Address 0x27 Green Coefficients Sign Register Read/Write

7	6	5	4	3	2	1	0
0	0	0	0	0	0	GCmD	GAmB

Bit 1 Sign for CmD to Green Coefficient
 Bit 0 Sign for AmB to Green Coefficient
 '1' Coefficient is negative
 '0' Coefficient is positive

Address 0x28 Sum to Blue Coefficient Register Read/Write

This register contains the magnitude of the Coefficient which determines the contribution to the Blue signal from the Sum signal.

Address 0x29 AmB to Blue Coefficient Register Read/Write

This register contains the magnitude of the Coefficient which determines the contribution to the Blue signal from the AmB signal.

Address 0x2A CmD to Blue Coefficient Register Read/Write

This register contains the magnitude of the Coefficient which determines the contribution to the Blue signal from the CmD signal.

Address 0x2B Blue Coefficients Sign Register Read/Write

7	6	5	4	3	2	1	0
0	0	0	0	0	0	BCmD	BAmB

Bit 1 Sign for CmD to Blue Coefficient
 Bit 0 Sign for AmB to Blue Coefficient
 '1' Coefficient is negative
 '0' Coefficient is positive

Addresses 0x30 - 0x3F Gamma Values Write Register **Write**

The 16 values that are written to these registers determine the breakpoints in the Gamma correction circuit. The lower four bits of the address are ignored on writes, and the data values are pushed on to an internal shift register. The writes should start with the lowest value and end with the highest value. The last 16 values written generate the Gamma curve, so all 16 values must be written. It is recommended that all 16 writes occur to address 0x30 with auto-increment disabled.

All sixteen Gamma registers default on chip reset to 0x00.

Addresses 0x30 - 0x3F Gamma Values Read Register **Read**

The breakpoints in the Gamma correction circuit are read from these registers.

VP7615

Signal Timing

The clock source for the VP7615 is the clock input of the selected CamPort. Since there are two CamPort inputs, the selected clock is brought out as an output, namely CLK2. Since the frequency of this clock is twice the pixel rate, another output, CLK1, is provided which runs at the pixel rate.

It is anticipated that the VP7615 user would use one or both of these clocks to clock the data and timing outputs into another device. In order to assure hold times into any device, the clock outputs CLK1 and CLK2 were inverted inside the VP7615 so

that the data and timing outputs would change near the falling edge of these clocks, and would be stable at their rising edges.

The timing specifications characterize the delay from the falling edges of CLK1 and CLK2 to the edges of the data and timing outputs. It is left to the system designer to calculate the available setup and hold times based on these timing specifications, the period of CLK1 and CLK2 and their duty cycles.

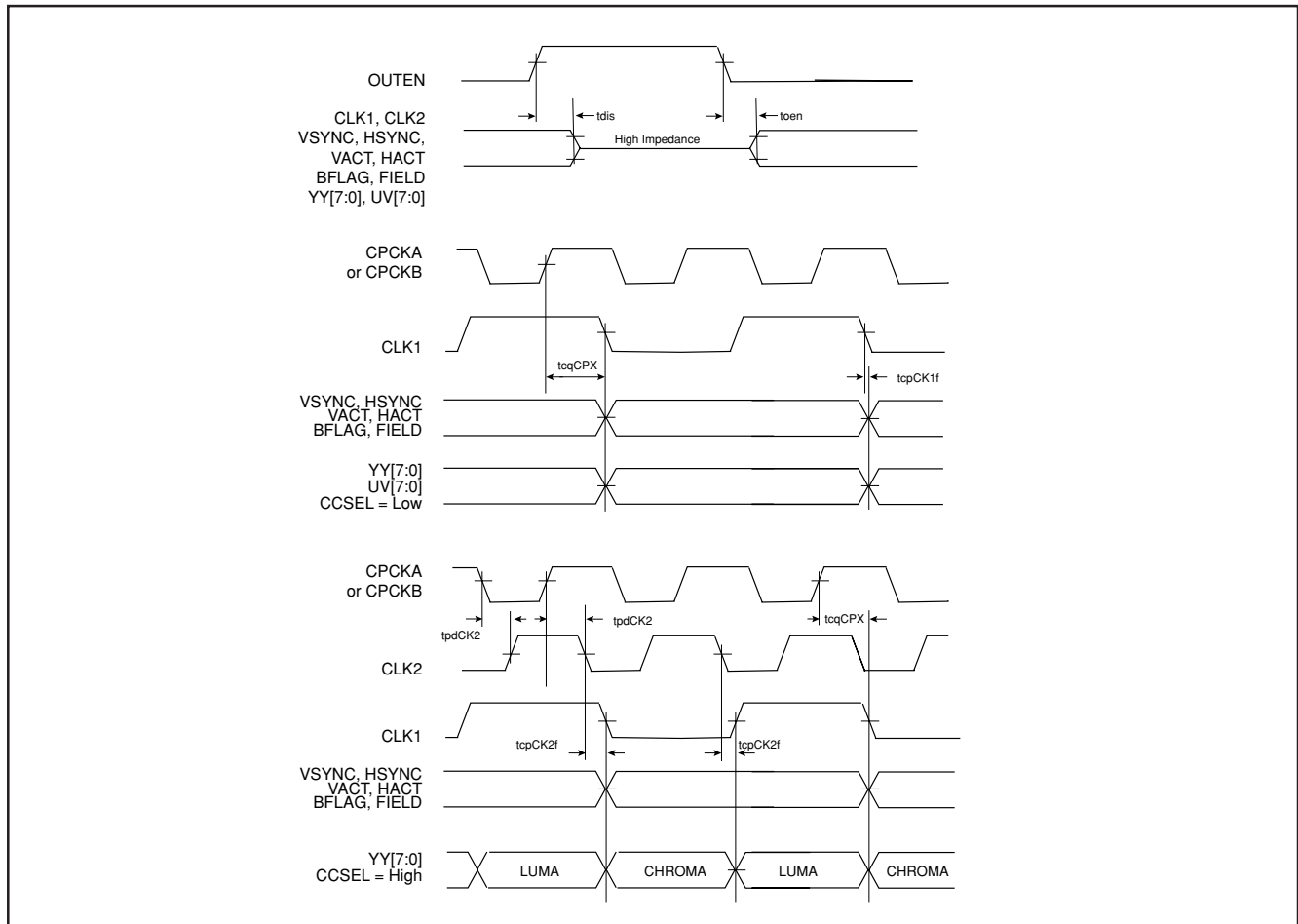


Fig.2 Video Interface Timing Diagram

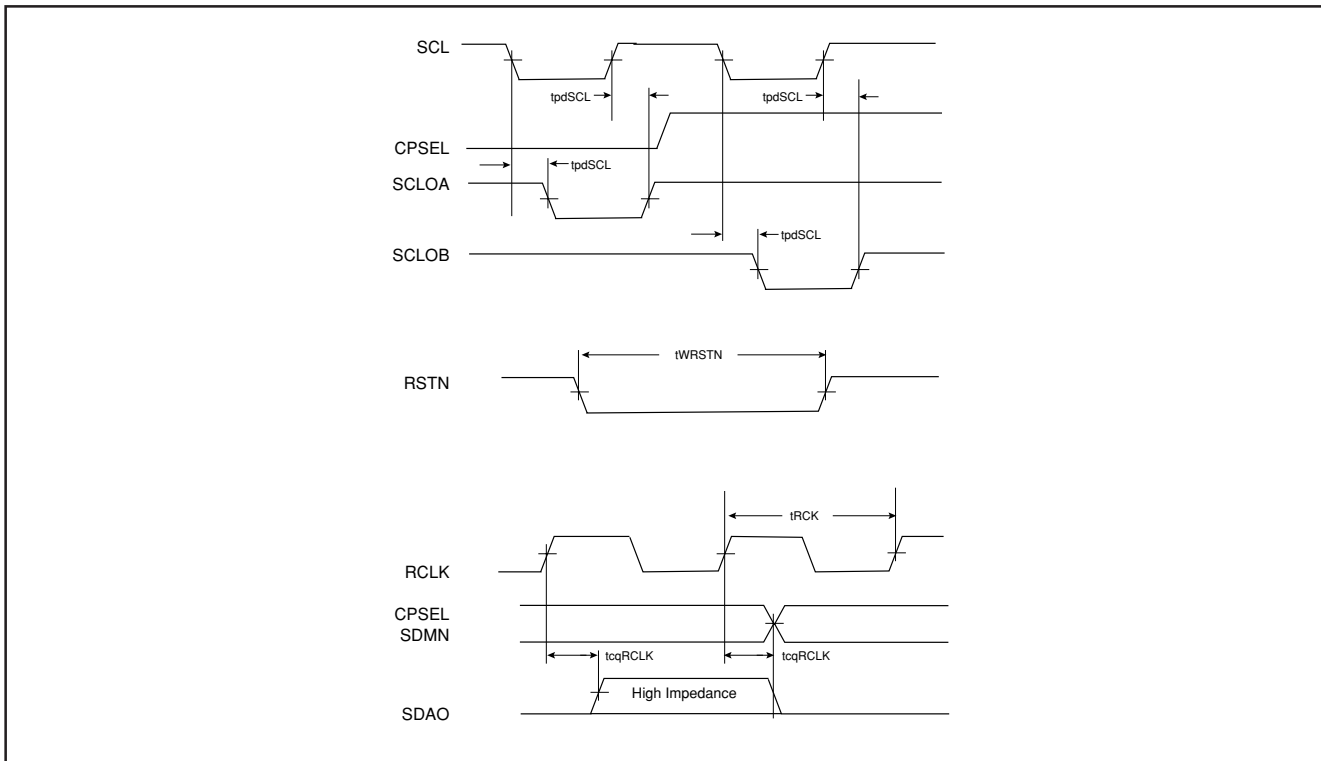


Fig.3 I²C Timing Diagram

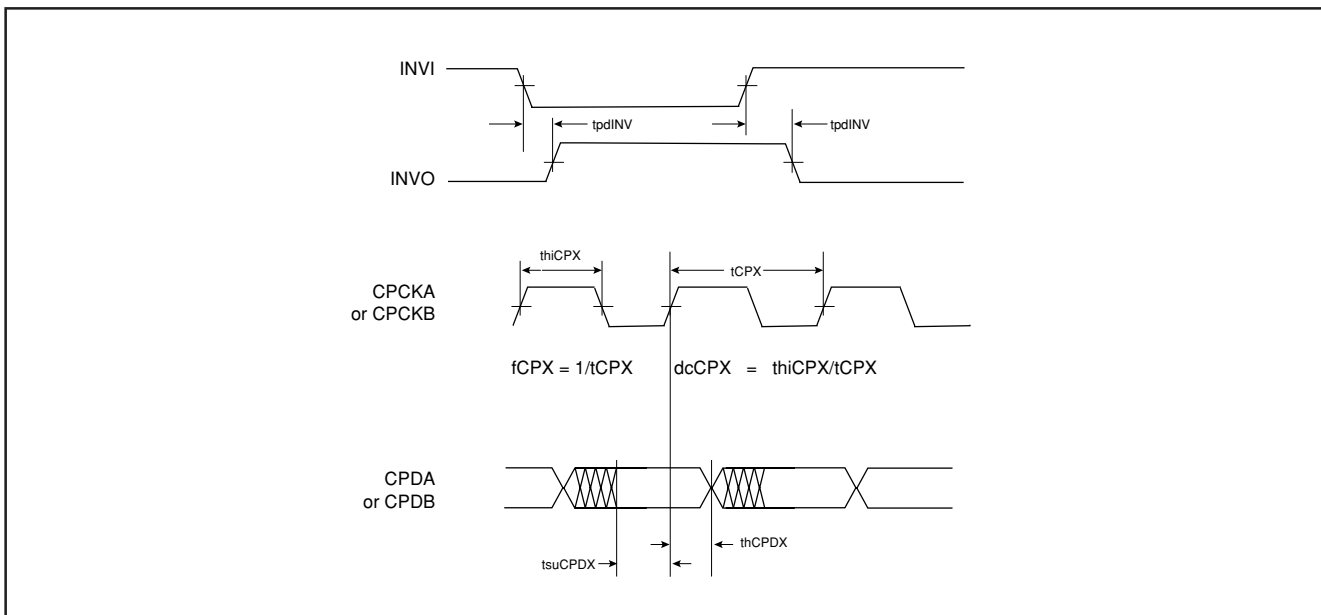


Fig.4 Clock Timing Diagram

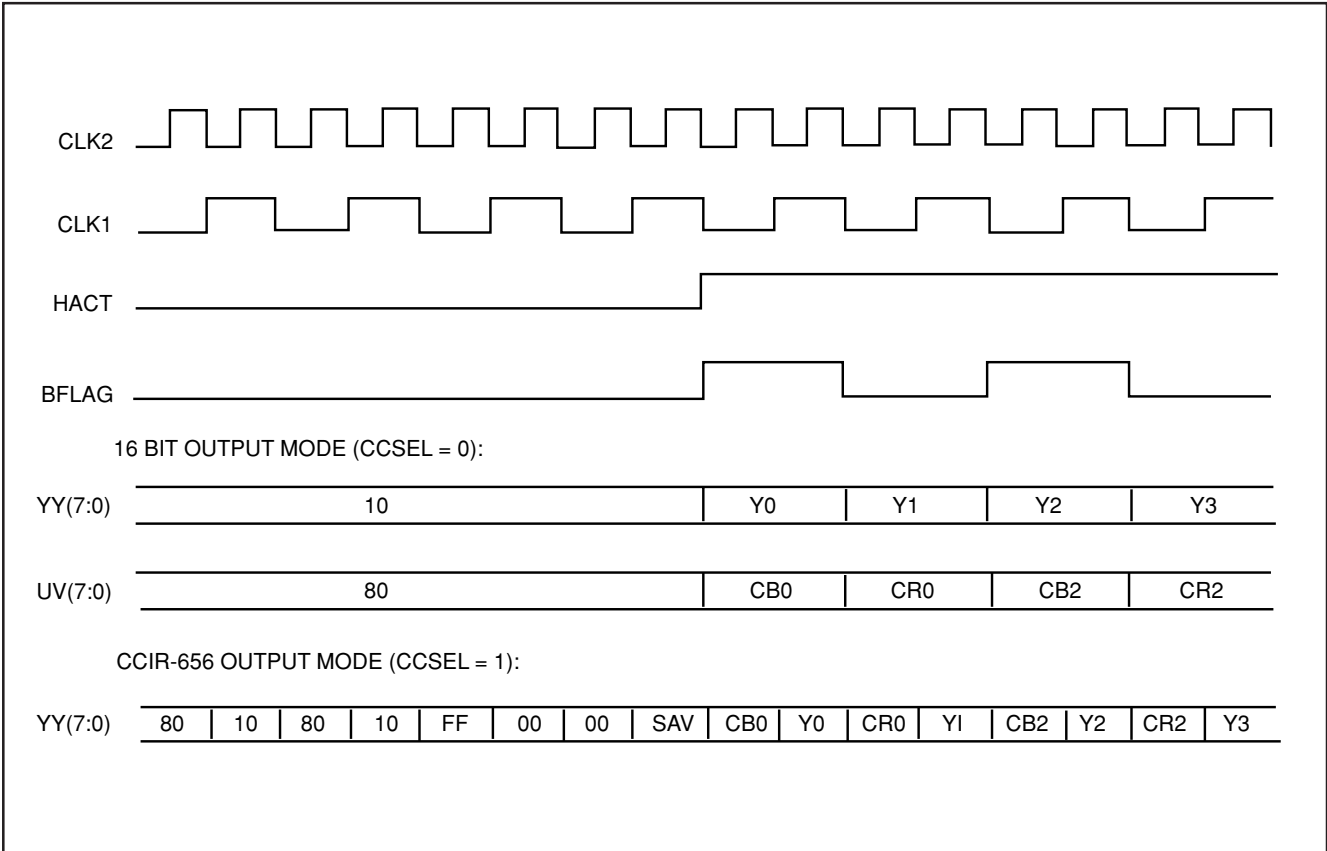


Fig.5 Start of Active Video

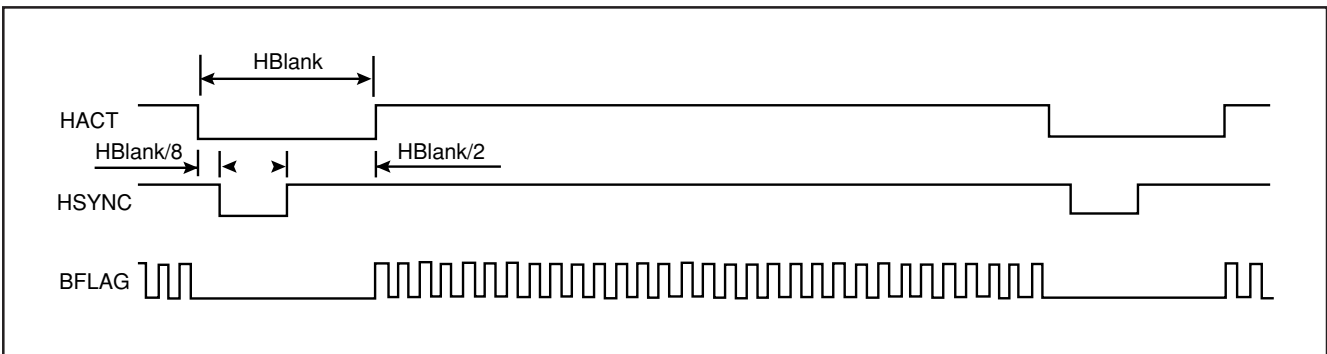


Fig.6 Horizontal Sync Timing

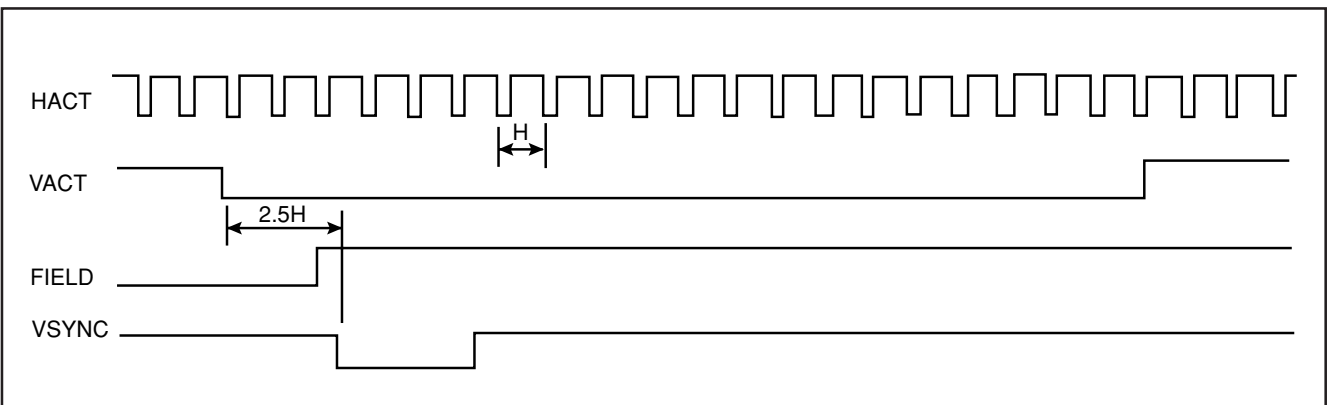


Fig.7 Even Field Timing

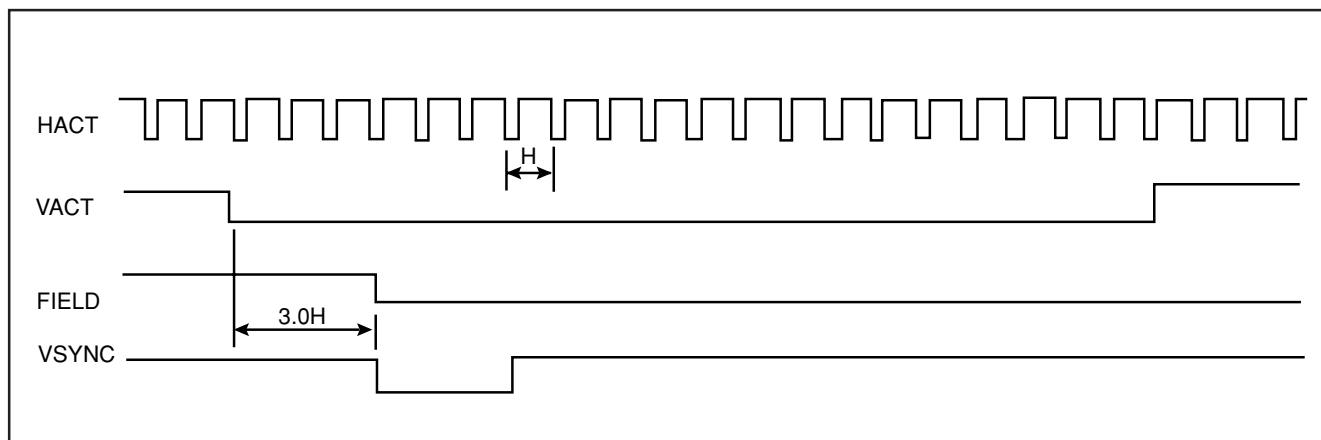


Fig.8 Odd Field Timing

TIMING REQUIREMENTS

Name	Description	Value		Unit
		Min.	Max.	
fCPX	frequency CPCKA or CPCKB	0	30	MHz
tCPX	period CPCKA or CPCKB	33	-	ns
dcCPX	duty cycle CPCKA or CPCKB	40	60	%
tsuCPDX	setup time, CPDA [3..0] to CPCKA or CPDB [3..0] to CPCKB	4		ns
thCPDX	hold time, CPDA [3..0] to CPCKA or CPDB [3..0] to CPCKB	4		ns
fRCK	frequency RCLK	10	33	MHz
twRSTN	pulse width of RSTN	110		ns

TIMING CHARACTERISTICS

Name	Description	Value		Unit
		Min.	Max.	
tcqRCLK	RCLK to output (CPSEL, SDAO, SDMN)		20	ns
tcpCPX	rising edge of CPCKA or CPCKB to output (YY[7..0], UV[7..0], CLK1, VSYNC, HSYNC, VACT, HACT, BFLAG)		21	ns
tcqCK2f	falling edge of CLK2 to output (YY[7..0], UV[7..0], CLK1, VSYNC, HSYNC, VACT, HACT, BFLAG)	-2	7	ns
tcpCK1f	falling edge of CLK1 to output (YY[7..0], UV[7..0], VSYNC, HSYNC, VACT, HACT, BFLAG)	-3	5	ns
tpdCK2	propagation delay from CPCKA or CPCKB to CK2		12	ns
tpdINV	propagation delay from INVI to INVO		11	ns
tpdSCL	propagation delay from SCLI to SCLOA or SCLOB		15	ns
tdis	rising edge of OUTEN to outputs tri-state (CLK1, CLK2, VSYNC, HSYNC, VACT, HACT, BFLAG, FIELD, YY[7:0], UV[7:0])		30	ns
toen	falling edge of OUTEN to outputs (CLK1, CLK2, VSYNC, HSYNC, VACT, HACT, BFLAG, FIELD, YY[7:0], UV[7:0])		30	ns

VP7615

ABSOLUTE MAXIMUM RATINGS [See Notes]

Supply voltage VDD	-0.5V to 7.0V
Input voltage V_{IN}	-0.5V to VDD + 0.5V
Output voltage V_{OUT}	-0.5V to VDD + 0.5V
Clamp diode current per pin I_K (see note 2)	18mA
Static discharge voltage (HBM)	500V
Storage temperature T_S	-55°C to 150°C
Ambient temperature with power applied T_{AMB}	0°C to 70°C
Junction temperature	125°C
Package power dissipation	1000mW

NOTES ON MAXIMUM RATINGS

1. Exceeding these ratings may cause permanent damage. Functional operation under these conditions is not implied.
2. Maximum dissipation for 1 second should not be exceeded, only one output to be tested at any one time.
3. Exposure to absolute maximum ratings for extended periods may affect device reliability.
4. Current is defined as negative into the device.

STATIC ELECTRICAL CHARACTERISTICS

Operating Conditions (unless otherwise stated)

$$T_{amb} = 0^{\circ}\text{C to } +70^{\circ}\text{C} \quad V_{DD} = 5.0\text{v} \pm 10\%$$

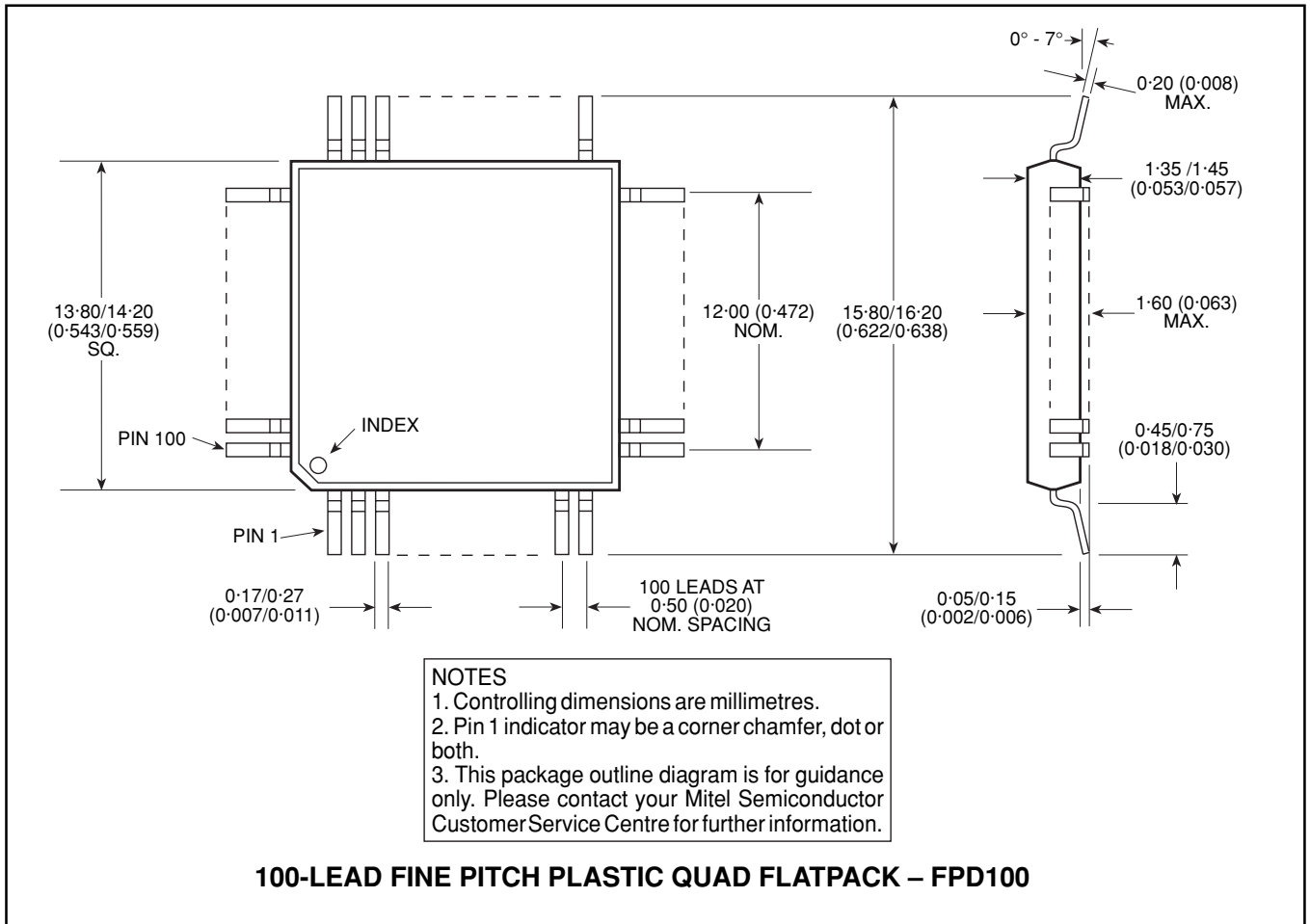
Characteristic	Symbol	Value			Units	Conditions
		Min.	Typ.	Max.		
Output high voltage	V_{OH}	$0.8V_{DD}$		-	V	$I_{OH} = 4\text{mA}$ $I_{OL} = -4\text{mA}$
Output low voltage	V_{OL}	-		0.4	V	
Input high voltage (CMOS input)	V_{IHC}	$0.7V_{DD}$		-	V	GND < V_{IN} < V_{DD} GND < V_{OUT} < V_{DD} $V_{DD} = \text{Max}$
Input low voltage (CMOS input)	V_{ILC}			$0.2V_{DD}$	V	
Input high voltage (TTL input)	V_{IHT}	2.0		-	V	
Input low voltage (TTL input)	V_{ILT}			0.8	V	
Input leakage current	I_{IN}	-1	10	+1	μA	
Input capacitance	C_{IN}				pF	
Output leakage current	I_{OZ}	-1		+1	μA	
Output S/C current	I_{SC}	10		300	mA	

VP7615

VP7615

PACKAGE DETAILS

Dimensions are shown thus: mm (in). For further package information, please contact your local Customer Service Centre.



Purchase of Mitel Semiconductor I²C components conveys a licence under the Philips I²C Patent rights to use these components in an I²C System, provided that the system conforms to the I²C Standard Specification as defined by Philips

HEADQUARTERS OPERATIONS

MITEL SEMICONDUCTOR
Cheney Manor, Swindon,
Wiltshire SN2 2QW, United Kingdom.
Tel: (01793) 518000
Fax: (01793) 518411

MITEL SEMICONDUCTOR

1500 Green Hills Road,
Scotts Valley, California 95066-4922
United States of America.
Tel (408) 438 2900
Fax: (408) 438 5576/6231

Internet: <http://www.gpsemi.com>

CUSTOMER SERVICE CENTRES

- **FRANCE & BENELUX** Les Ulis Cedex Tel: (1) 69 18 90 00 Fax : (1) 64 46 06 07
- **GERMANY** Munich Tel: (089) 419508-20 Fax : (089) 419508-55
- **ITALY** Milan Tel: (02) 6607151 Fax: (02) 66040993
- **JAPAN** Tokyo Tel: (03) 5276-5501 Fax: (03) 5276-5510
- **KOREA** Seoul Tel: (2) 5668141 Fax: (2) 5697933
- **NORTH AMERICA** Scotts Valley, USA Tel: (408) 438 2900 Fax: (408) 438 5576/6231
- **SOUTH EAST ASIA** Singapore Tel:(65) 3827708 Fax: (65) 3828872
- **SWEDEN** Stockholm Tel: 46 8 702 97 70 Fax: 46 8 640 47 36
- **TAIWAN, ROC** Taipei Tel: 886 2 25461260 Fax: 886 2 27190260
- **UK, EIRE, DENMARK, FINLAND & NORWAY**
Swindon Tel: (01793) 726666 Fax : (01793) 518582

These are supported by Agents and Distributors in major countries world-wide.

© Mitel Corporation 1998 Publication No. DS4602 Issue No. 3.1 August 1997

TECHNICAL DOCUMENTATION – NOT FOR RESALE. PRINTED IN UNITED KINGDOM

This publication is issued to provide information only which (unless agreed by the Company in writing) may not be used, applied or reproduced for any purpose nor form part of any order or contract nor to be regarded as a representation relating to the products or services concerned. No warranty or guarantee express or implied is made regarding the capability, performance or suitability of any product or service. The Company reserves the right to alter without prior notice the specification, design or price of any product or service. Information concerning possible methods of use is provided as a guide only and does not constitute any guarantee that such methods of use will be satisfactory in a specific piece of equipment. It is the user's responsibility to fully determine the performance and suitability of any equipment using such information and to ensure that any publication or data used is up to date and has not been superseded. These products are not suitable for use in any medical products whose failure to perform may result in significant injury or death to the user. All products and materials are sold and services provided subject to the Company's conditions of sale, which are available on request.

All brand names and product names used in this publication are trademarks, registered trademarks or trade names of their respective owners.



<http://www.mitelsemi.com>

World Headquarters - Canada

Tel: +1 (613) 592 2122
Fax: +1 (613) 592 6909

North America

Tel: +1 (770) 486 0194
Fax: +1 (770) 631 8213

Asia/Pacific

Tel: +65 333 6193
Fax: +65 333 6192

**Europe, Middle East,
and Africa (EMEA)**

Tel: +44 (0) 1793 518528
Fax: +44 (0) 1793 518581

Information relating to products and services furnished herein by Mitel Corporation or its subsidiaries (collectively "Mitel") is believed to be reliable. However, Mitel assumes no liability for errors that may appear in this publication, or for liability otherwise arising from the application or use of any such information, product or service or for any infringement of patents or other intellectual property rights owned by third parties which may result from such application or use. Neither the supply of such information or purchase of product or service conveys any license, either express or implied, under patents or other intellectual property rights owned by Mitel or licensed from third parties by Mitel, whatsoever. Purchasers of products are also hereby notified that the use of product in certain ways or in combination with Mitel, or non-Mitel furnished goods or services may infringe patents or other intellectual property rights owned by Mitel.

This publication is issued to provide information only and (unless agreed by Mitel in writing) may not be used, applied or reproduced for any purpose nor form part of any order or contract nor to be regarded as a representation relating to the products or services concerned. The products, their specifications, services and other information appearing in this publication are subject to change by Mitel without notice. No warranty or guarantee express or implied is made regarding the capability, performance or suitability of any product or service. Information concerning possible methods of use is provided as a guide only and does not constitute any guarantee that such methods of use will be satisfactory in a specific piece of equipment. It is the user's responsibility to fully determine the performance and suitability of any equipment using such information and to ensure that any publication or data used is up to date and has not been superseded. Manufacturing does not necessarily include testing of all functions or parameters. These products are not suitable for use in any medical products whose failure to perform may result in significant injury or death to the user. All products and materials are sold and services provided subject to Mitel's conditions of sale which are available on request.

M Mitel (design) and ST-BUS are registered trademarks of MITEL Corporation
Mitel Semiconductor is an ISO 9001 Registered Company
Copyright 1999 MITEL Corporation
All Rights Reserved
Printed in CANADA

TECHNICAL DOCUMENTATION - NOT FOR RESALE