

MTD8060N

Features

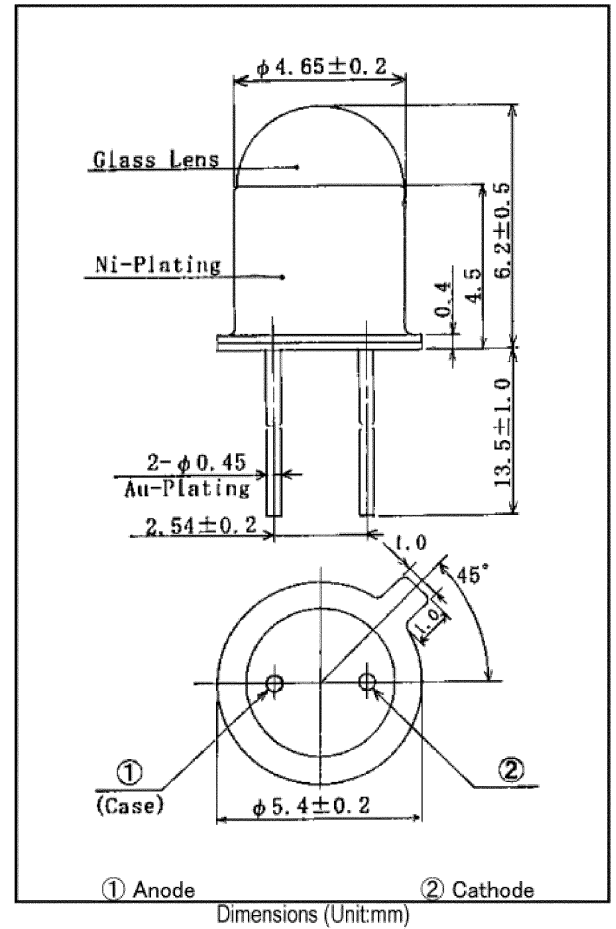
High Reliability in Demanding Environments
Metal Can Package

Applications

Smoke Detectors
Optical Sensors
Optical Switches
Edge Sensing

Maximum Ratings (Ta=25°C)

Characteristic	Symbol	Max.	Test Condition	Unit
Collector Power Dissipation	P _c	250	-	mW
Collector-Emitter Voltage	V _{CE}	30	-	V
Emitter-Collector Voltage	V _{EC}	5	-	V
Collector Current	I _c	50	-	mA
Operating Temperature	T _{opr}	-30 ~ +100	-	°C
Storage Temperature	T _{stg}	-40 ~ +125	-	°C
Junction Temperature	T _j	125	-	°C
Soldering Temperature	T _{sol}	260	for 5 sec. max	°C



Opto-Electrical Characteristics (Ta=25°C)

Characteristic	Symbol	Test Condition	Min	Typ	Max	Unit
C-E Saturation Voltage	V _{CE(sat)}	I _c =0.2mA, E _e =5mW/cm ² *	-	.20	-	μA
Light Current	I _L	V _{ce} =20V, E _e =0.5mW/cm ² *	-	3.00	-	μA
Dark Current	I _D	V _{ce} =20V, E _e =0.5mW/cm ² *	-	-	100	nA
Spectral Sensitivity	λ	-	-	400-1100	-	μA
Peak Sensitivity Wavelength	λ _p	-	-	880	-	V
Beam Angle	θ	-	-	± 12°	-	deg.
Rise Time	T _r	R _L =100, V _{ce} =5V, I _c =0.5mA	-	10.00	-	ns
Fall Time	T _f	R _L =100, V _{ce} =5V, I _c =0.5mA	-	10.00	-	ns

*Color Temperature=2870°K Standard Tungston Lamp

Company Headquarters
3 Northway Lane North
Latham, New York 12110
Toll Free: 800.984.5337
Fax: 518.785.4725

MTD8060N Graphs

