

**Hong Kong Polytechnic University**  
**Department of Electronic and Information Engineering**

**Experiment**  
**On**  
**8255 PPI chip**

**Objectives :** To study how 8255 PPI chip works.

After completing this experiment, you should know the different operation modes of an 8255 PPI chip and how to configure the chip to operate in a particular operation mode. You should also know how to use handshake to transfer data in an interface.

**Software :** Text editor, 8051 cross-assembler, 8051 linker and 8051 programmer

**Apparatus :** 8051 evaluation board and 8255 evaluation board

**Reference :** H-P. Messmer, "The indispensable PC hardware book," 3rd Ed, Addison-Wesley, 1997 Chapter 29 Section 2.  
Barry B. Bery, "The Intel Microprocessors: 8086/8088, 80186/80188, 80286, 80386, 80486, Pentium, Pentium Pro Processor, Pentium II, Pentium III, Pentium 4 - Architecture, Programming, and Interfacing", 6<sup>th</sup> Ed, Chapter 11, Section 3.  
[8255 datasheet](#)  
[AT89S8252 datasheet \(instruction set\)](#)

### **Background**

The 8255 PPI chip is a general purpose programmable I/O device which is designed for use with all Intel and most other microprocessors. The 8255 has 24 I/O pins divided into 3 groups of 8 pins each. The groups are denoted by port A, port B and port C respectively. Every one of the ports can be configured as either an input port or an output port.

The 8255 can be programmable in three different modes:

- Mode 0: simple unidirectional input/output without handshake
- Mode 1: unidirectional input/output with handshake via some pins of port C
- Mode 2: bidirectional input/output with handshake via some pins of port C

Handshake is a common technique used to transfer data in an interface. A computer and a device usually operate at different system clock rates and hence the data transfer between their corresponding I/O interface may not be so reliable. For example, the device might not be fast enough

to catch the data transmitted from the CPU. Handshake provides a means to improve the reliability of a data transfer.

### Method and details

In this lab, you will study how to program an 8255 PPI chip to operate in different operation modes with an 8051 evaluation board and an 8255 evaluation board. Figure 1 shows the setup of the system. You are requested to modify some given 8051 program modules with a text editor in a computer. The modified programs, when they are run in the 8051 evaluation board, should be able to program port A and port B of the 8255 in the 8255 evaluation board to operate in one of their operation modes. You can assemble and link your program modules with the provided cross-assembler and linker to generate executable files. Executable files can then be loaded to the 8051 evaluation board via the printer port of the computer to program the on-board AT89S8252. The AT89S8252 is a low-power, high-performance CMOS 8-bit microcomputer with 8K bytes of Downloadable Flash programmable and erasable read only memory and 2K bytes of EEPROM. The device is manufactured by Atmel and is compatible with the industry standard 80C51 instruction set and pinout.

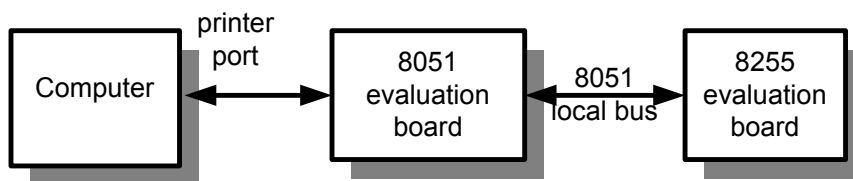


Figure 1. Setup of the system

After programming the AT89S8252, the AT89S8252 executes the loaded program to configure the 8255 and the ports of the 8255 should operate in the desired modes.

As there are 3 ports in 8255 and each one of them can be programmed as an input or output port, there are a number of possible configurations. In this lab, four configurations given in Table 1 will be studied.

| configuration | Port A        | Port B         | Port C                      |
|---------------|---------------|----------------|-----------------------------|
| 1             | Mode 0, input | Mode 0, output | Don't care                  |
| 2             | Mode 1, input | Mode 0, output | Handshake for port A        |
| 3             | Mode 0, input | Mode 1, output | Handshake for port B        |
| 4             | Mode 1, input | Mode 1, output | Handshake for ports A and B |

Table 1. Some configurations of 8255

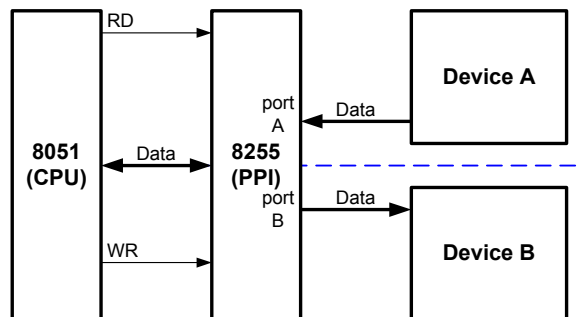
You are requested to do the following in this lab.

1. Setup the apparatus as shown in Figure 2.

- Appendix D1 lists a program for configuration 1 (Ai0Bo0.asm). This program repeatedly reads port A and writes the data read to port B. Assemble, link and load the program into the 8051 evaluation board. You may refer to Appendix C for the details.

Run the program and observe the behavior of the evaluation board. You may define the input with the dip switch connected to port A and the LEDs connected to port B show the data you input.

Study the program. Pay special attention to the procedures of configuring the 8255 and the setting value of the control register. Try to derive your own setting from datasheet or the information provided in Appendix B. Check if yours is identical to the one provided in the program.

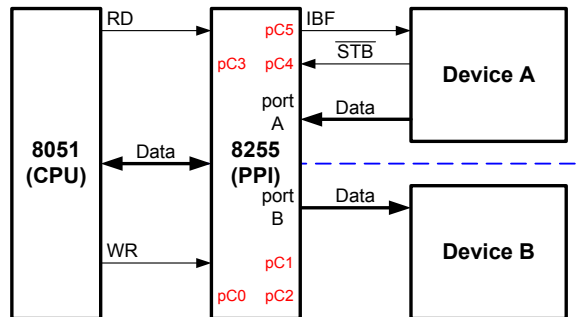


- Appendix D2 lists a program (Ai0Bo0X.asm) for configuration 1 as well. In this program, a 2.5s delay is added into the loop. By doing so, it simulates the case that the CPU periodically reads port A and reports the result via port B immediately. Port B is programmed to blink before it reports a result.

Load the program into the AT89S8252 evaluation board and run it. See what happens.

Since port A operates at mode 0, no handshake is exploited. The CPU does not know when a data comes. Suppose every change of the dip switch corresponds a data byte transferred from an external device. Answer the following questions.

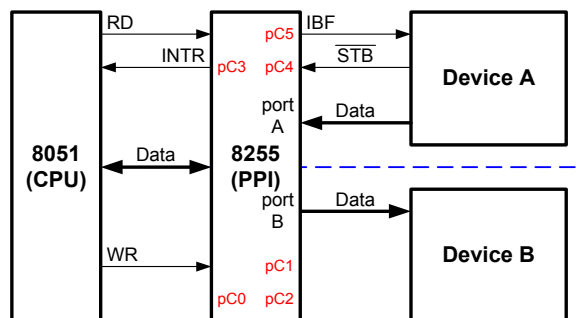
- Can the CPU receive and report all inputs from the device if the device transfers its data at a rate of 4 bytes per second?
  - Suppose now the device transfers its data at a rate of 1 byte per second. Can the CPU know there is no available data from the device when it tries to read a byte from port A? Can it stop reading and reporting rubbish in such a case?
- Appendix D3 lists a program for configuration 2(Ai1Bo0X.asm). In this program, as port A operates in mode 1, handshaking signal is provided through port C of 8255 and hence the CPU can make use of handshake to synchronize itself with an external device in a data transfer. This makes the transfer much more reliable.



Load the program into the AT89S8252 evaluation board and run it. Change the setting of the dip switch and press the button marked 'port A mode 1 input' in the 8255 evaluation board once. This action corresponds to that an external device generates a strobe to signal the 8255 when its data is ready for transmission. What happens when you do this? Repeat the steps at different speed. Does the CPU miss receiving and reporting your inputs? Does the CPU read something even though you do not do anything?

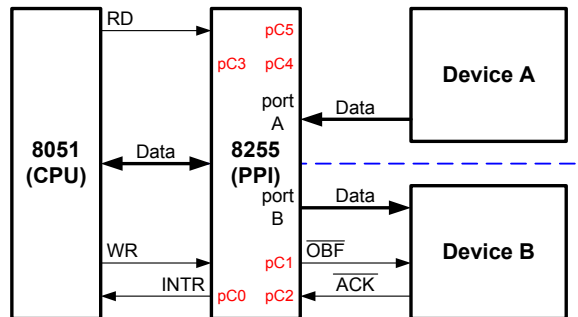
Study the program carefully. See how the program uses handshake to improve the performance.

5. Ai1Bo0X.asm does the job with programmed-I/O technique. It keeps checking the handshake signal and waits until the data is ready. This keeps the CPU busy doing something without contribution. The CPU can be released by using interrupt to handle a data transfer. Appendix D4 lists an incomplete program for configuration 2(Ai1Bo0.asm). It is a better alternative to Ai1Bo0X.asm.

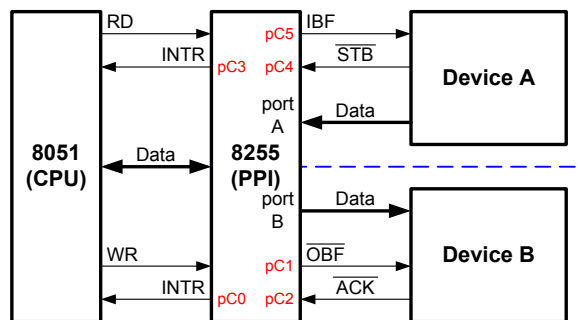


Complete the program by filling up the blank fields. Test your program with the evaluation boards. Study the program to see how it exploits interrupt to do the job.

6. Appendix D5 lists an incomplete program for configuration 3(Ai0Bo1.asm). Complete the program and test your program with the evaluation boards. Record your observation.



7. Based on Ai1Bo0.asm and Ai0Bo1.asm, write a program to configure 8255 to operate in configuration 4. Test your program and verify if it functions with the evaluation boards.



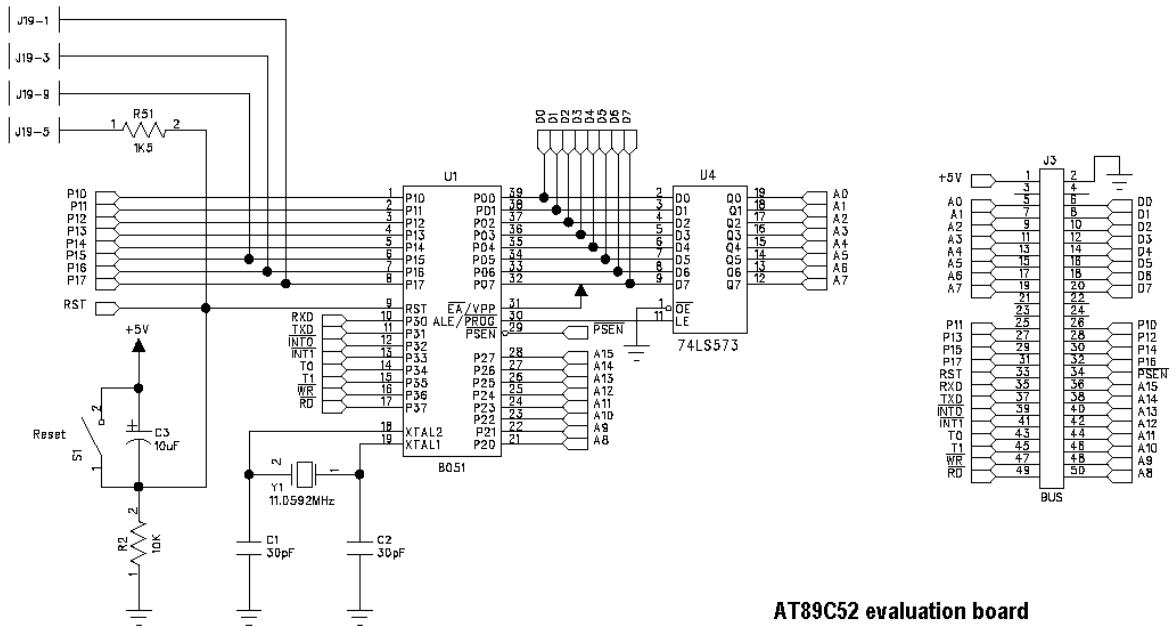
8. Try to configure the 8255 to function at other operation modes if time is allowed. (For more capable student)

- END -

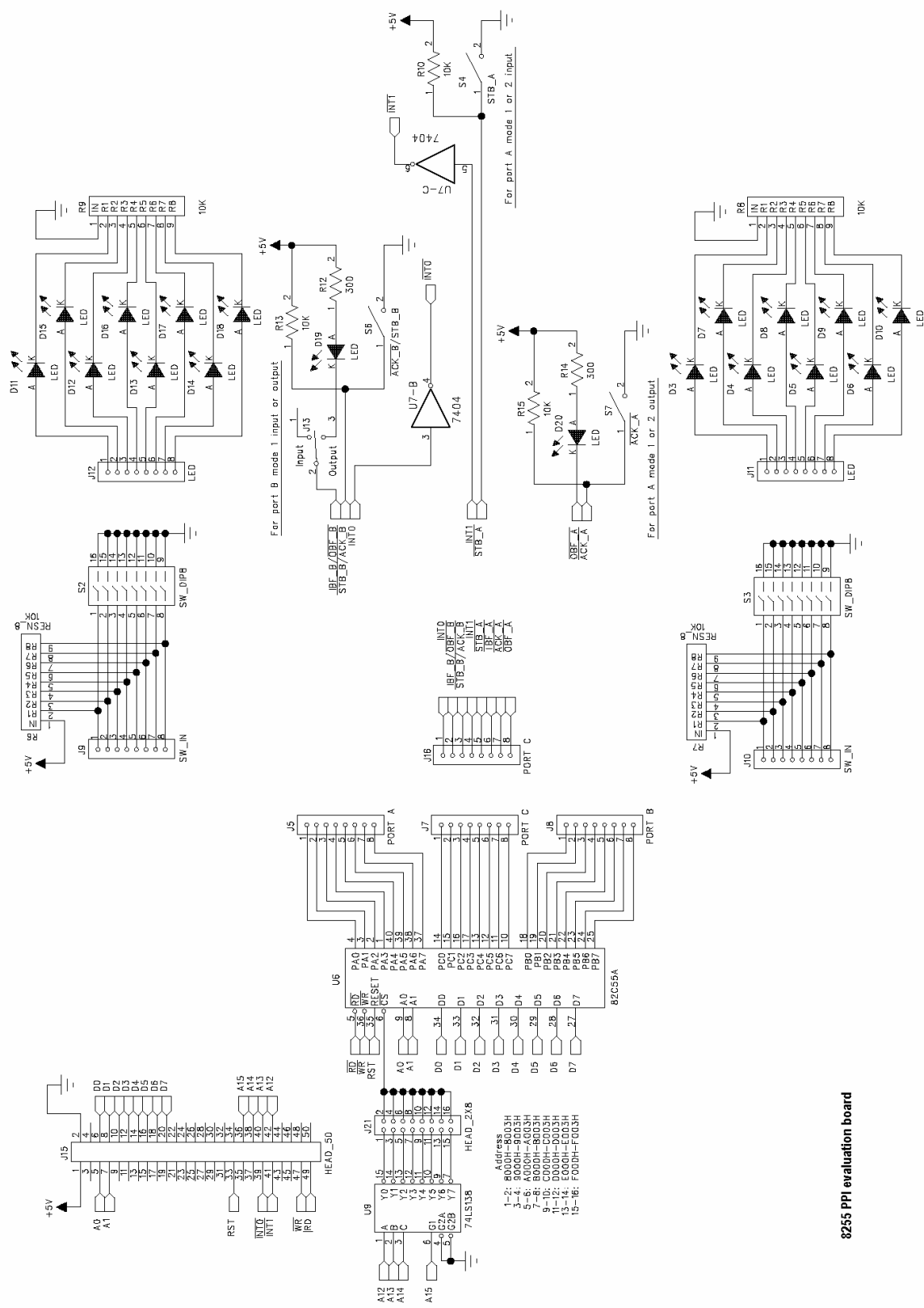
## Appendix

- Appendix A. Schematic diagrams of the evaluation boards
- Appendix B. Summary of the technical information of 8255
- Appendix C. Editing, assembling, linking and loading programs to the 8051 evaluation board
- Appendix D. Program listing
- Appendix E. View of the evaluation boards

# Appendix A Schematic diagrams of the evaluation boards



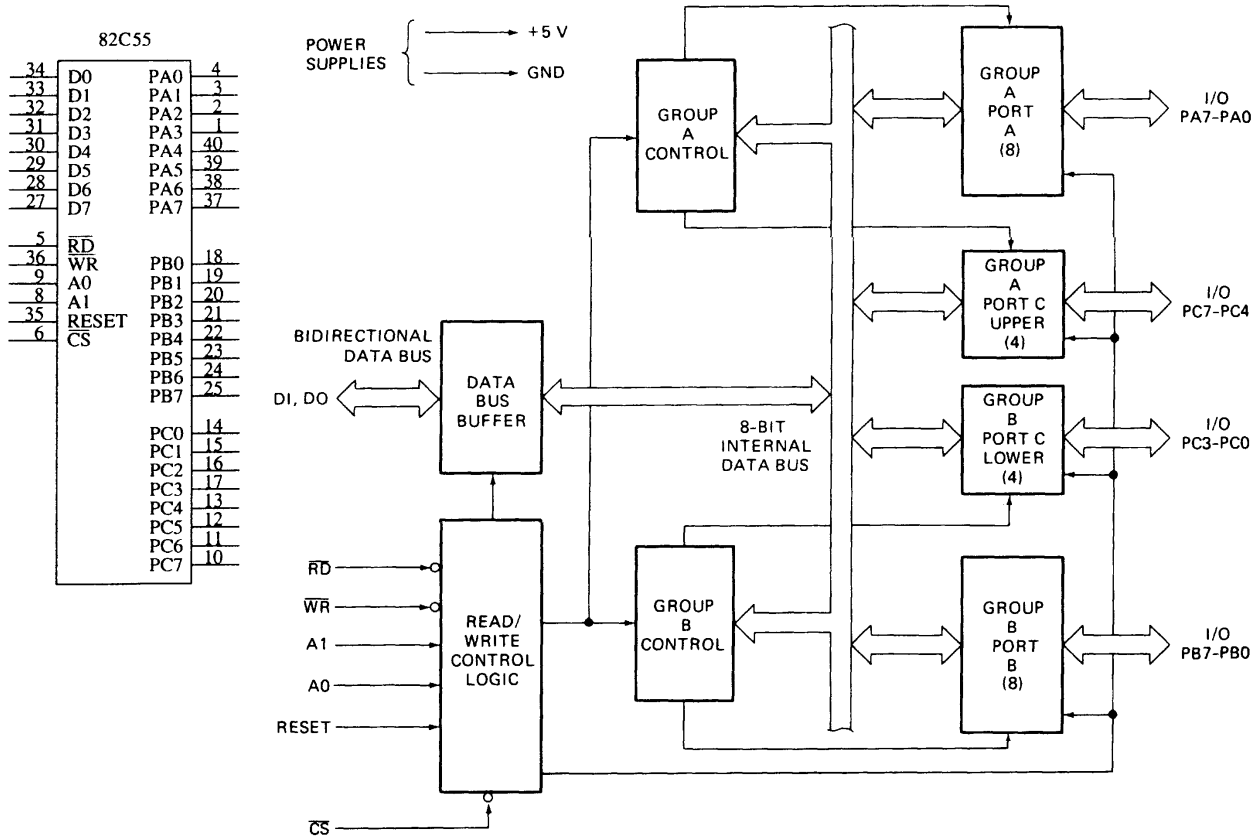
**AT89C52 evaluation board**



8255 PPI evaluation board

Appendix B. Summary of the technical information of 8255

- Internal structure:



Internal block diagram of 8255A programmable parallel port device. (Intel Corporation)

- Port and register addresses:
- Port connections:

| $A_1$ | $A_0$ | Function         |
|-------|-------|------------------|
| 0     | 0     | Port A           |
| 0     | 1     | Port B           |
| 1     | 0     | Port C           |
| 1     | 1     | Command Register |

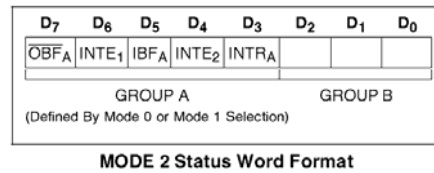
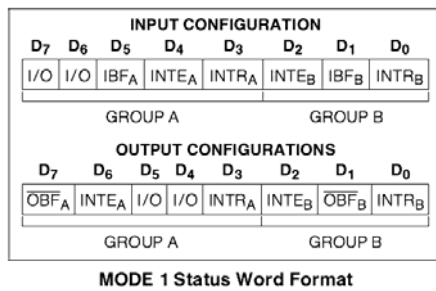
I/O port assignments for the 8255

|        | Mode 0 |     | Mode 1              |                     | Mode 2            |
|--------|--------|-----|---------------------|---------------------|-------------------|
| Port A | IN     | OUT | IN                  | OUT                 | I/O               |
| Port B | IN     | OUT | IN                  | OUT                 | Not used          |
| 0      |        |     | $\overline{INTR}_B$ | $\overline{INTR}_B$ | I/O               |
| 1      |        |     | $\overline{IBF}_B$  | $\overline{OBF}_B$  | I/O               |
| 2      |        |     | $\overline{STB}_B$  | $\overline{ACK}_B$  | I/O               |
| Port C | IN     | OUT | $\overline{INTR}_A$ | $\overline{INTR}_A$ | $\overline{INTR}$ |
| 3      |        |     | $\overline{STB}_A$  | I/O                 | $\overline{STB}$  |
| 4      |        |     | $\overline{IBF}_A$  | I/O                 | $\overline{IBF}$  |
| 5      |        |     | I/O                 | $\overline{ACK}_A$  | $\overline{ACK}$  |
| 6      |        |     | I/O                 | $\overline{OBF}_A$  | $\overline{OBF}$  |
| 7      |        |     |                     |                     |                   |

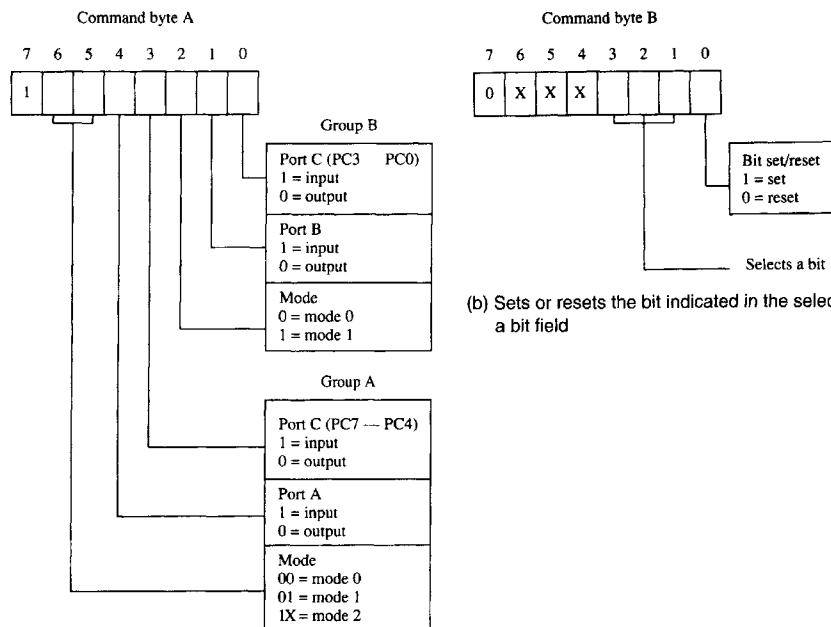
A summary of the port connections for the 82C55 PIA



- Status word obtained by reading port C:



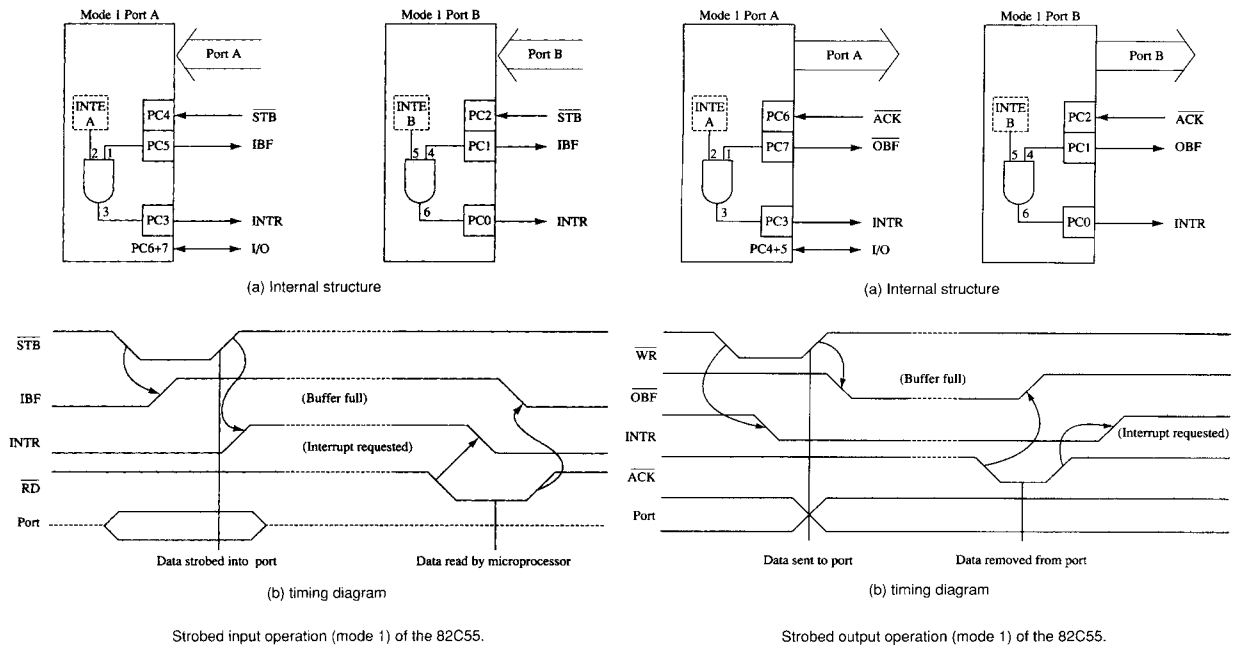
- Command words:



(a) Programs ports A, B, and C

The command byte of the command register in the 82C55.

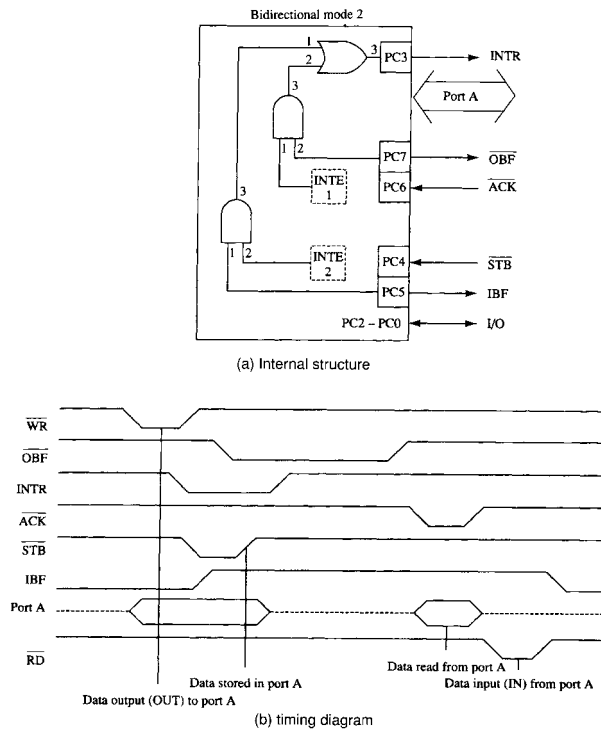
- Operation modes:



Strobed input operation (mode 1) of the 82C55.

Strobed output operation (mode 1) of the 82C55.

### Mode 1 operation



### Mode 2 operation

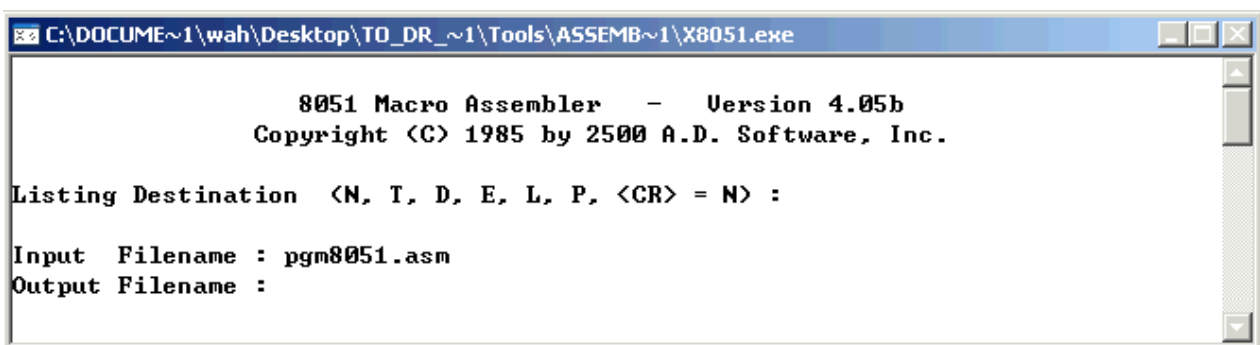
- Set/reset IRTEs:

|                      | Port C Interrupt<br>Signal Pin<br>Number | To enable Interrupt<br>Request Set Port C<br>bit |
|----------------------|--|--|
| <b><u>MODE 1</u></b> |  |  |
| Port A IN            | PC3                                      | PC4  |
| Port B IN            | PC0                                      | PC2  |
| Port A OUT           | PC3                                      | PC6  |
| Port B OUT           | PC0                                      | PC2  |
| <b><u>MODE 2</u></b> |  |  |
| Port A IN            | PC3                                      | PC4  |
| Port A OUT           | PC3                                      | PC6  |

## Appendix C. Editing, assembling, linking and loading programs to the 8051 evaluation board

You may use any text editor such as Notepad in Windows to edit your 8051 program. Then you can assemble and link your program so as to make it loadable to the evaluation board for debugging.

Suppose your program is ready and is now stored in the working directory where the 8051 cross-assembler(X8051.exe) and the 8051 linker(Link.exe) are in. Run X8051.exe to activate the cross-assembler. Figure C1 shows the user interface of the cross-assembler. In the interface, the cross-assembler will prompt for inputting listing destination, input filename and output filename. You have to specify the input filename. As for others, you can skip them by just entering '↵'. If no error is detected by the cross-assembler, an object file with extension '.obj' will be generated.



```
C:\DOCUME~1\wah\Desktop\TO_DR_~1\Tools\ASSEMB~1\X8051.exe

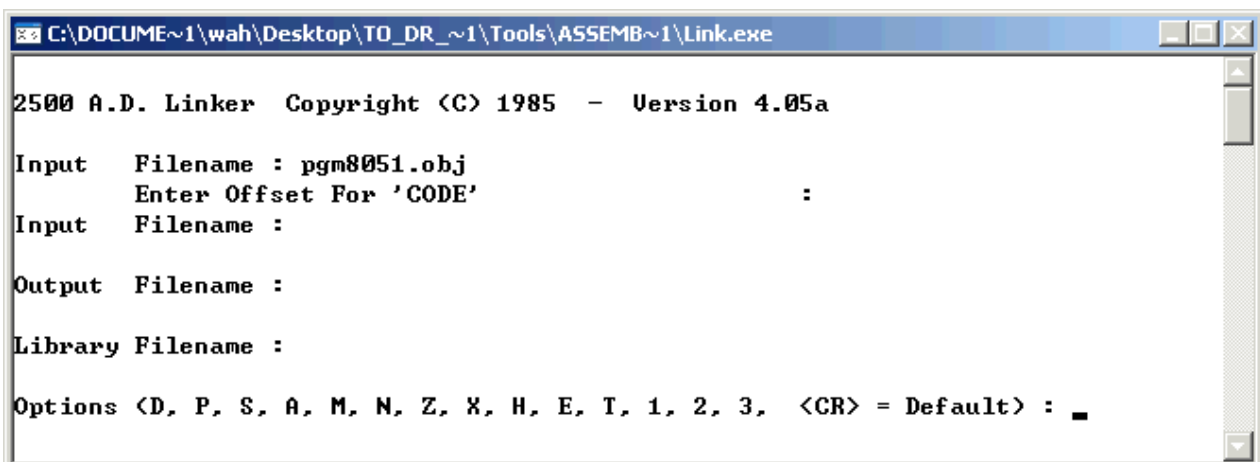
      8051 Macro Assembler  -  Version 4.05b
      Copyright (C) 1985 by 2500 A.D. Software, Inc.

Listing Destination (N, T, D, E, L, P, <CR> = N) :

Input  Filename : pgm8051.asm
Output  Filename :
```

Figure C1. User interface of X8051.exe

Run Link.exe to activate the linker. Figure C2 shows the user interface of the linker. The linker will prompt for inputting parameters. All you need to do is to specify the input filename. It should be an object file with extension '.obj'. As an example, Figure C2 shows the case that the input file is pgm8051.obj. You can skip all other prompts by just entering '↵'. If no error is detected, a binary file with extension '.hex' will be generated.



```
C:\DOCUME~1\wah\Desktop\TO_DR_~1\Tools\ASSEMB~1\Link.exe

2500 A.D. Linker Copyright (C) 1985 - Version 4.05a

Input  Filename : pgm8051.obj
      Enter Offset For 'CODE'          :
Input  Filename :
Output  Filename :
Library Filename :
Options (D, P, S, A, M, N, Z, X, H, E, T, 1, 2, 3, <CR> = Default) : _
```

Figure C2. User interface of Link.exe

A universal programmer called PonyProg is provided in this lab. Figure C3 shows the user interface provided by the programmer. This programmer can program a specified binary file into the flash

memory of an 8051-compatible controller via the printer port of a computer system. To order to do it successfully, you have to make sure that the device you want to program is AT89S8252. You can check (and select) via the listbox in the interface as shown Figure C3. Besides, you have to check the interface setup by selecting 'Setup' in the pulldown menu 'Options'. Select the setting shown in Figure C4.

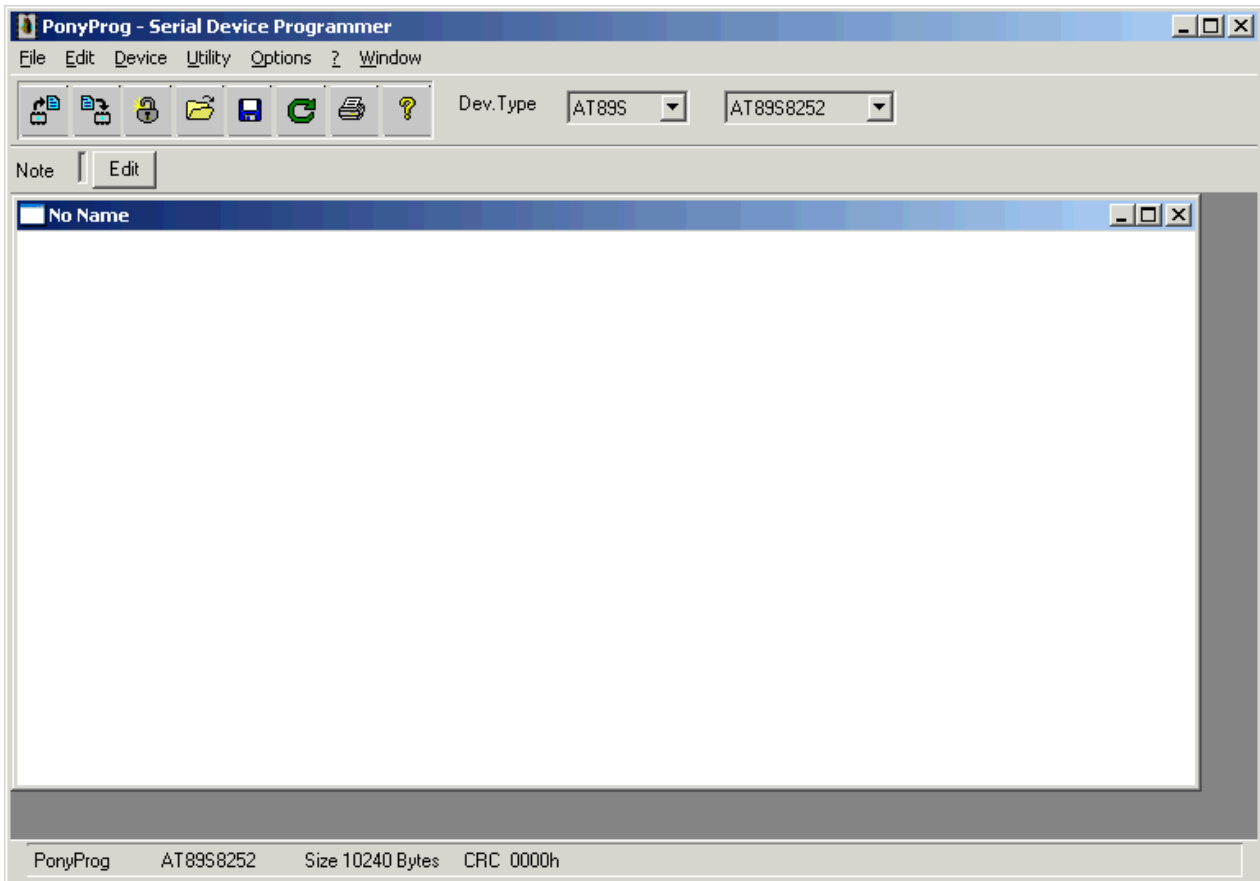


Figure C3. User interface of the programmer

After configuring the programmer, one can load a program, namely, a file of extension '.hex', into the working environment and program the AT89S8252 in the evaluation board. To load the program into the working environment, you can push the fourth pushbutton from the left in the toolbar and then select the desired file. Figure C5 shows a snapshot of the user interface after program 'pgm8051.hex' was loaded into the environment. Then you can push the second pushbutton from the left in the toolbar to load the program into the AT89S8252.

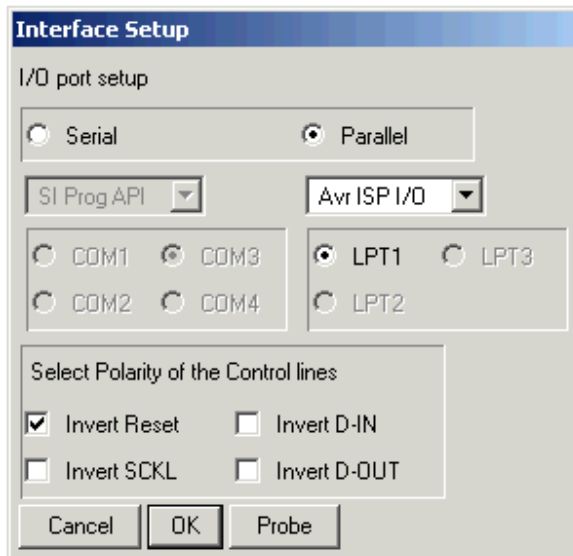


Figure C4. Setting for the interface between the evaluation board and the computer

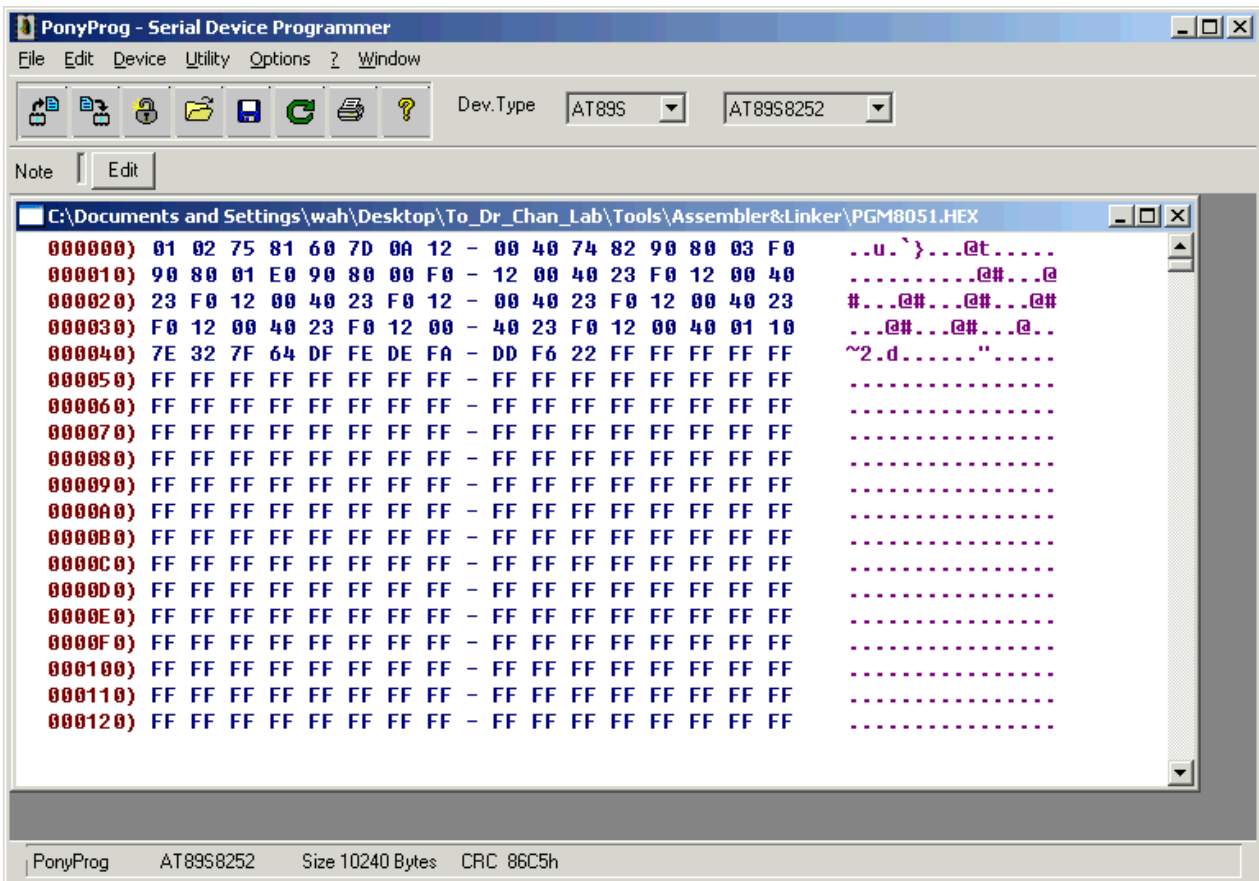


Figure C5. A snapshot of the user interface after a program is loaded into the working environment

## Appendix D. Program listing

### D.1 listing of Ai0Bo0.asm

```
; Ai0Bo0.asm
; Port A -> mode 0 input
; Port B -> mode 0 output
; Input data from port A and output it to port B

pa    equ    8000h    ; prot a
pb    equ    pa+1    ; prot b
pc    equ    pa+2    ; prot c
cr    equ    pa+3    ; control register

        org    00h
        ajmp   main
;-----
main:
        mov    sp,#60h    ; set stack pointer to address 60h

        mov    r5,#10    ; delay 10ms for
        call   delay    ; 8255 initialization

        mov    a,#90h    ; set port a to mode 0 input
        mov    dptr,#cr   ; and port b to mode 0 output
        movx   @dptr,a

loop:
        mov    dptr,#pa   ; input from port a
        movx   a,@dptr

        mov    dptr,#pb   ; output to port b
        movx   @dptr,a

        jmp    loop

;-----
delay:
        mov    r6,#50    ; delay time = r5*10ms
$1:    mov    r7,#100
$2:    djnz   r7,$2
        djnz   r6,$1
        djnz   r5,delay
        ret

;-----
end
```

## D.2 listing of Ai0Bo0X.asm

```

; Ai0Bo0X.asm
; Port A -> mode 0 input
; Port B -> mode 0 output
; Input data from port A and output it to port B

pa    equ    8000h ; prot a
pb    equ    pa+1  ; prot b
pc    equ    pa+2  ; prot c
cr    equ    pa+3  ; control register

        org    00h
        ajmp   main
;-----
main:
        mov    sp,#60h      ; set stack pointer to address 60h

        mov    r5,#10      ; delay 100ms for
        call   delay       ; 8255 initialization

        mov    a,#90h      ; set port a to mode 0 input
        mov    dptr,#cr    ; and port b to mode 0 output
        movx   @dptr,a

loop:
;-----
; periodically wait 2.5s, get a data
; and dump it

        mov    r5,#250     ; delay 2.5s
        call   delay       ;

        mov    a,#0        ; clear port b for 20ms
        mov    dptr,#pb ;
        movx   @dptr,a    ;
        mov    r5,#2      ;
        call   delay       ;

        mov    a,#255     ; set port b for 20ms
        mov    dptr,#pb ;
        movx   @dptr,a    ;
        mov    r5,#2      ;

```

```

        call   delay       ;
        mov    dptr,#pa    ; input from port a
        movx   a,@dptr

        mov    dptr,#pb    ; output to port b
        movx   @dptr,a

        jmp    loop

;-----
delay:
;-----
; delay time = r5*10ms
        mov    r6,#50
$1:    mov    r7,#100
$2:    djnz   r7,$2
        djnz   r6,$1
        djnz   r5,delay
        ret

;-----
        end

```



### D.3 listing of Ai1Bo0X.asm

```

; Ai1Bo0X.asm
; Port A -> mode 1 input
; Port B -> mode 0 output
; Input data from port A and output it to prot B

pa    equ    8000h ; prot a
pb    equ    pa+1 ; prot b
pc    equ    pa+2 ; prot c
cr    equ    pa+3 ; control register

        org    00h
        ajmp   main

;-----
main:
        mov    sp,#60h      ; set stack pointer to address 60h

        mov    r5,#10      ; delay 10ms for
        call   delay       ; 8255 initialization

        mov    a,#b0h      ; set port a to mode 1 input
        mov    dptr,#cr    ; and port b to mode 0 output
        movx   @dptr,a

loop:
        mov    dptr,#pc    ; get status word of 8255
        movx   a,@dptr    ; to check if IBF(bit 5)=1
        anl   a,#20h
        jz    loop

        mov    a,#0        ; clear port b for 20ms
        mov    dptr,#pb ;
        movx   @dptr,a    ;
        mov    r5,#2      ;
        call   delay      ;

        mov    a,#255     ; set port b for 20ms
        mov    dptr,#pb ;
        movx   @dptr,a    ;
        mov    r5,#2      ;

```

```

        call   delay      ;
        mov    dptr,#pa    ; input from port a
        movx   a,@dptr

        mov    dptr,#pb    ; output to port b
        movx   @dptr,a

        jmp    loop

;-----
delay:                                     ; delay time = r5*10ms
        mov    r6,#50
$1:    mov    r7,#100
$2:    djnz   r7,$2
        djnz   r6,$1
        djnz   r5,delay
        ret

;-----
        end

```

#### D.4 listing of Ai1Bo0.asm

```
; Ai1Bo0.asm
; Port A -> mode 1 input
; Port B -> mode 0 output
; Input data from port A and output it to prot B

pa    equ    8000h ; prot a
pb    equ    pa+1 ; prot b
pc    equ    pa+2 ; prot c
cr    equ    pa+3 ; control register

        org    00h
        ajmp   main
        org    13h
        ajmp   int1
;-----
main:
        mov    sp,#60h        ; set stack pointer to address 60h

        setb  it1            ; set int1 to negative edge trigger
        setb  ea            ; enable hardware interrupt
        setb  ex1          ; enable int1

        mov    r5,#10        ; delay 10ms for
        call  delay          ; 8255 initialization

        mov    a,_____    ; set port a to mode 1 input
        mov    dptr,#cr      ; and port b to mode 0 output
        movx  @dptr,a

        mov    a,_____    ; enable interrupt request
        mov    dptr,#cr      ; for port a
        movx  @dptr,a

loop:
        mov    dptr,#pb      ; output to port b
        movx  @dptr,a

        jmp   loop
;-----
```

```
int1:
        mov    r5,#200      ; delay 200ms to make
        call  delay        ; IBF visible

        mov    dptr,#pa     ; input from port a
        movx  a,@dptr

        reti

;-----
delay:
        mov    r6,#50
$1:     mov    r7,#100
$2:     djnz  r7,$2
        djnz  r6,$1
        djnz  r5,delay
        ret

;-----
end
```

## D.5 listing of Ai0Bo1.asm

```

; Ai0Bo1.asm
; Port A -> mode 0 input
; Port B -> mode 1 output
; Input data from port A and output it to prot B
pa    equ    8000h ; prot a
pb    equ    pa+1 ; prot b
pc    equ    pa+2 ; prot c
cr    equ    pa+3 ; control register

        org    00h
        ajmp   main
        org    03h
        ajmp   int0
;-----
main:
        mov    sp,#60h        ; set stack pointer to address 60h

        setb   it0           ; set int0 to negative edge trigger
        setb   ea            ; enable hardware interrupt
        setb   ex0           ; enable int0

        mov    r5,#10        ; delay 10ms for
        call   delay         ; 8255 initialization

        mov    a,_____    ; set port a to mode 0 input
        mov    dptr,#cr      ; and port b to mode 1 output
        movx   @dptr,a

        mov    a,_____    ; enable interrupt request
        mov    dptr,#cr      ; for port b
        movx   @dptr,a

loop:
        mov    dptr,#pa      ; input from port a
        movx   a,@dptr

        jmp    loop

;-----
int0:

```

```

        mov    dptr,#pb      ; output to port b
        movx   @dptr,a

        reti

;-----
delay:
        mov    r6,#50
$1:     mov    r7,#100
$2:     djnz   r7,$2
        djnz   r6,$1
        djnz   r5,delay
        ret

;-----
        end

```

## D.6 listing of Ai1Bo1.asm

```
; Ai1Bo1.asm
; Port A -> mode 1 input
; Port B -> mode 1 output
; Input data from port A and output it to prot B
pa    equ    8000h    ; prot a
pb    equ    pa+1    ; prot b
pc    equ    pa+2    ; prot c
cr    equ    pa+3    ; control register

        org    00h
        ajmp   main
        org    03h
        ajmp   int0
        org    13h
        ajmp   int1
;-----
main:
        mov    sp,#60h    ; set stack pointer to address 60h

        setb   it0        ; set int0 to negative edge trigger
        setb   it1        ; set int1 to negative edge trigger
        setb   ea         ; enable hardware interrupt
        setb   ex0        ; enable int0
        setb   ex1        ; enable int1

        mov    r5,#10     ; delay 10ms for
        call   delay      ; 8255 initialization

        mov    a,_____ ; set port a to mode 1 input
        mov    dptr,_____ ; and port b to mode 1 output
        movx   @dptr,a

        mov    a,_____ ; enable interrupt request
        mov    dptr,_____ ; for port b
        movx   @dptr,a

        mov    a,_____ ; enable interrupt request
        mov    dptr,_____ ; for port a
        movx   @dptr,a
```

```
loop:
        jmp    loop

;-----
int0:
        mov    dptr,_____ ; output to port b
        movx   @dptr,a

        reti

;-----
int1:
        mov    dptr,_____ ; input from port a
        movx   a,@dptr

        reti

;-----
delay:
        mov    r6,#50
$1:     mov    r7,#100
$2:     djnz   r7,$2
        djnz   r6,$1
        djnz   r5,delay
        ret

;-----
        end
```

Appendix E. Views of the evaluation boards Program listing

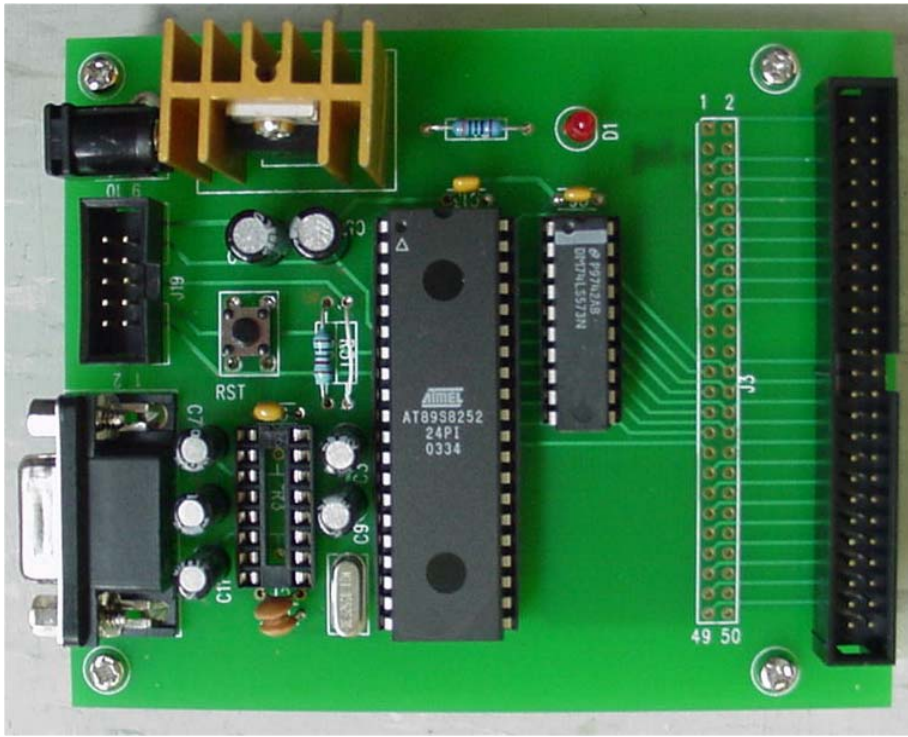


Figure A.E-1 8051 evaluation board

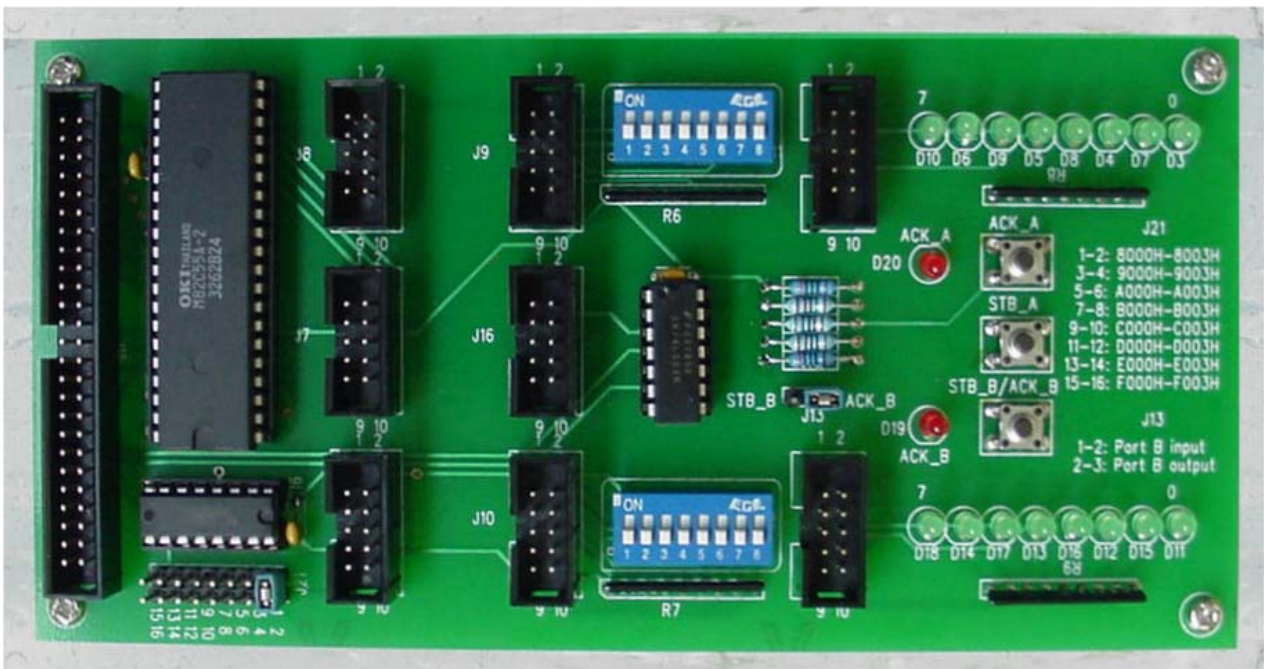


Figure A.E-2 8255 evaluation board