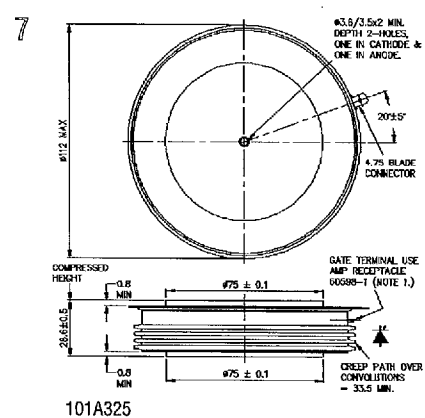
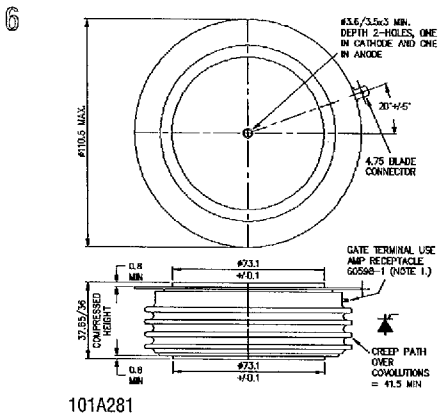
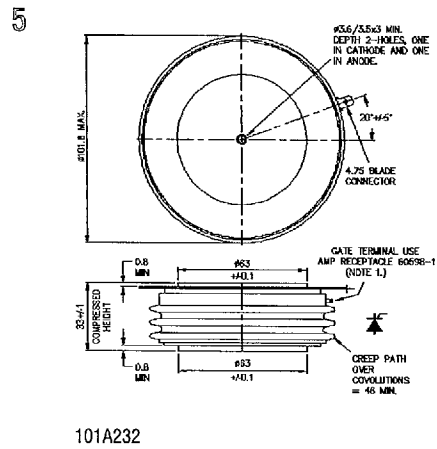
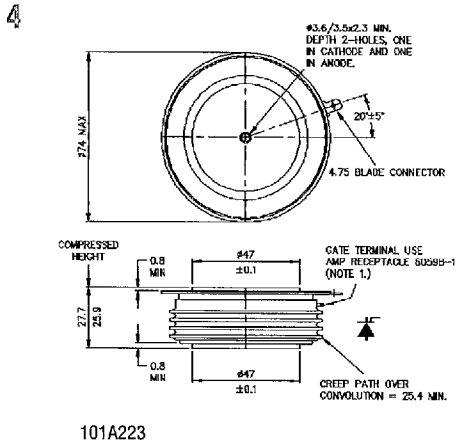
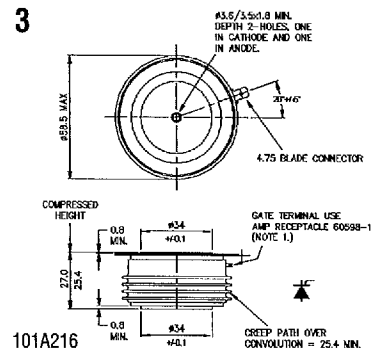
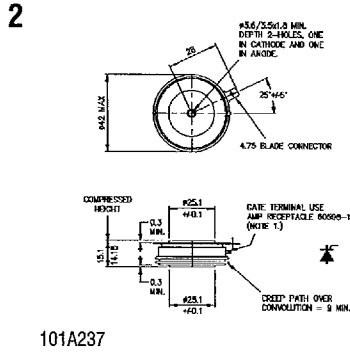
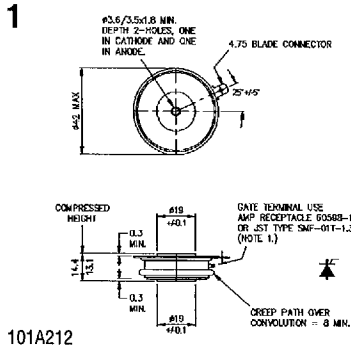


Phase Control Thyristors ~ Capsule types

Type	V_{DRM} V_{RRM} Range (Note 5) (V)	$I_{T(AV)}$ T_{hs} 55°C (A)	$I_{T(RMS)}$ @ 25°C (A)	I_T @ 25°C (A)	$I_{TSM(1)}$ 10ms $V_R \leq 60\%$ V_{RRM} (Note 1) (A)	$I_{TSM(2)}$ 10ms $V_R \leq 10V$ (Note 1) (A)	$I^2t_{(2)}$ (Note 1) (A²s)	di/dt Non- Rep/Rep (Note 4) (A / µs)	I_{GT}/V_{GT} 25°C (mA) (V)
N086CHx	200-1500	195	390	320	1700	1950	19 x 10³	1000/500	150/3
N105CHx	200-1500	256	500	440	2450	2695	36.3 x 10³	1000/500	150/3
N170CHx	200-1500	340	674	575	4200	4620	107 x 10³	1000/500	150/3
N195CHx	200-1500	390	780	668	4650	5120	131 x 10³	1000/500	150/3
N275CHx	200-800	490	986	818	6000	6600	218 x 10³	1000/500	150/3
N282CHx	2000-2200	607	1202	1029	7100	7810	305 x 10³	600/300	200/3
N281CHx	1200-1800	680	1350	1140	7500	8300	345 x 10³	1000/500	150/3
N280CHx	200-1600	735	1470	1230	8400	9270	430 x 10³	1000/500	150/3
N283CHx	200-1600	752	1500	1320	9280	10205	521 x 10³	1000/500	150/3
N310CHx	200-500	990	2000	1650	11000	12100	732 x 10³	1000/500	150/3
N255CHx	3600-4500	590	1150	1040	5250	5780	167 x 10³	300/150	300/3
N260CHx	200-3600	620	1260	1135	5700	6270	196 x 10³	400/200	300/3
N330CHx	1600-2600	910	1790	1570	9200	10100	510 x 10³	500/300	300/3
N350CHx	200-1800	1045	2075	1760	11500	12650	800 x 10³	1000/500	300/3
N370CHx	200-1800	1130	2260	1890	12700	14000	975 x 10³	1000/500	300/3
N520CHx	200-1500	1265	2515	2130	15000	16000	1.28 x 10⁶	1000/500	300/3
N320CHx	3600-4500	880	1725	1535	7700	8470	359 x 10³	300/150	300/3
N360CHx	2200-3800	1010	1975	1750	12100	13300	884 x 10³	400/200	300/3
N390CHx	2200-3800	1130	2220	1945	14300	15700	1.23 x 10⁶	400/200	300/3
N450CHx	1400-2600	1300	2560	2220	17600	19400	1.88 x 10⁶	500/300	300/3
N490CHx	200-2600	1470	2915	2485	21500	23600	2.78 x 10⁶	1000/500	300/3
N510CHx	200-2000	1550	3065	2630	23280	25600	3.28 x 10⁶	1000/500	300/3
N540CHx	200-1800	1715	3435	2850	27200	29900	4.47 x 10⁶	1000/500	300/3
N600CHx	200-1500	1800	3600	3030	29600	32500	5.28 x 10⁶	1000/500	300/3
N610CHx	200-1000	2090	4210	3440	35000	38000	7.22 x 10⁶	1000/500	300/3
N500CHx	3000-4200	1160	2270	2014	14500	16100	1.30 x 10⁶	300/150	300/3
N570CHx	2600-3600	1315	2580	2280	16630	18290	1.67 x 10⁶	300/150	300/3
N620CHx	2000-3000	1467	2880	2534	21000	23000	2.65 x 10⁶	400/200	300/3
N740CHx	1400-1600	2045	4145	3340	29200	32200	5.18 x 10⁶	300/150	300/3
N560CHx	3600-4500	1350	2645	2350	17500	20000	2.00 x 10⁶	300/150	300/3
N630CHx	2600-3600	1663	3261	2875	23000	25000	3.13 x 10⁶	300/150	300/3
N640CHx	2000-3000	1715	3370	2950	24500	30000	4.50 x 10⁶	300/150	300/3
N760CHx	200-2000	2290	4575	3850	33800	40000	8.00 x 10⁶	300/150	300/3
N990CHx	200-1600	2500	5000	4200	37000	45000	10.1 x 10⁶	300/150	300/3
N750CHx	2600-4500	2175	4290	3700	28000	33500	5.61 x 10⁶	300/150	350/4
N850CHx	3000-3600	2420	4880	4160	30000	36000	6.48 x 10⁶	300/150	300/3
N880CHx	2000-3000	2550	4930	4515	32000	39000	7.61 x 10⁶	300/150	300/3
N900CHx	2000-2600	3015	5925	5190	45100	49700	12.40 x 10⁶	300/150	300/3
N980CHx	200-2000	3000	5900	5200	45600	55000	15.1 x 10⁶	300/150	300/3
N1400CHx	200-2000	3545	7060	5930	50000	60000	18.0 x 10⁶	300/150	300/3
N1600CHx	200-1200	4090	8165	6840	64000	70000	24.5 x 10⁶	300/150	300/3
N1200CHx	3600-4200	2835	5590	4850	35500	39000	7.60 x 10⁶	200/100	300/3
N1300CHx	2000-3200	3170	6285	5380	38600	42500	9.03 x 10⁶	200/100	300/3
N1550CHx	2000-3200	3760	7433	6400	49500	54500	14.85 x 10⁶	200/100	300/3

I _{DRM} I _{RRM} 125°C (mA)	I _H 25°C (mA)	R _{th j-hs}		V ₀ r @ T _j 125°C (Note 2)		V _{TM} at I _{TM} @ T _j 125 °C (V) (A)		Wt (gm)	Mounting Force (Kgf)	Fig. No.	Type
		d.c. 180° sine (K/W)	120° Rect. (K/W)	(V)	(mΩ)	(V)	(A)				
20	600	0.135	0.190	1.57	2.29	2.66/475	70	330-550	1	N086C	
20	600	0.135	0.190	0.90	1.79	1.75/475	70	330-550	1	N105C	
20	600	0.095	0.110	1.08	1.30	2.08/770	70	330-550	1	N170C	
20	600	0.095	0.110	0.92	0.99	1.68/770	70	330-550	1	N195C	
20	400	0.095	0.110	0.85	0.535	1.26/770	70	330-550	1	N275C	
40	500	0.050	0.058	1.14	0.781	2.35/1550	90	530-1000	2	N282C	
40	500	0.050	0.058	1.09	0.587	2.00/1550	90	530-1000	2	N281C	
40	500	0.050	0.058	1.03	0.483	1.78/1550	90	530-1000	2	N280C	
40	500	0.050	0.058	0.92	0.45	1.62/1550	90	530-1000	2	N283C	
40	500	0.050	0.058	0.82	0.24	1.19/1550	90	530-1000	2	N310C	
60	1000	0.0342	0.042	1.22	1.53	2.90/1100	340	1000-2000	3	N255C	
60	1000	0.0342	0.042	1.21	1.36	2.71/1100	340	1000-2000	3	N260C	
60	1000	0.0342	0.042	1.04	0.61	2.07/1700	340	1000-2000	3	N330C	
60	1000	0.032	0.0397	1.08	0.40	1.75/1700	340	1000-2000	3	N350C	
60	1000	0.032	0.0397	1.06	0.31	1.59/1700	340	1000-2000	3	N370C	
60	1000	0.032	0.0397	0.90	0.265	1.35/1700	340	1000-2000	3	N520C	
100	1000	0.024	0.0291	1.30	0.92	2.77/1600	510	1900-2600	4	N320C	
100	1000	0.024	0.0291	1.17	0.687	2.43/1830	510	1900-2600	4	N360C	
100	1000	0.024	0.0291	1.15	0.51	2.08/1830	510	1900-2600	4	N390C	
100	1000	0.024	0.0291	1.03	0.38	2.00/2550	510	1900-2600	4	N450C	
100	1000	0.024	0.0291	1.00	0.27	1.69/2550	510	1900-2600	4	N490C	
100	1000	0.024	0.0291	0.92	0.252	1.56/2550	510	1900-2600	4	N510C	
100	1000	0.024	0.0291	0.965	0.174	1.41/2550	510	1900-2600	4	N540C	
100	1000	0.024	0.0291	0.855	0.171	1.29/2550	510	1900-2600	4	N600C	
100	1000	0.024	0.0291	0.84	0.108	1.12/2550	510	1900-2600	4	N610C	
100	1000	0.022	0.027	1.10	0.574	2.15/1830	510	1900-2600	4	N500C	
100	1000	0.022	0.027	1.00	0.437	2.11/2550	510	1900-2600	4	N570C	
100	1000	0.022	0.027	0.92	0.345	1.80/2550	510	1900-2600	4	N620C	
100	1000	0.022	0.027	0.98	0.114	1.27/2550	510	1900-2600	4	N740C	
150	1000	0.017	0.020	1.20	0.553	3.00/3220	1000	2700-3400	5	N560C	
150	1000	0.017	0.020	1.04	0.35	2.17/3220	1000	2700-3400	5	N630C	
150	1000	0.017	0.020	1.05	0.32	2.08/3220	1000	2700-3400	5	N640C	
150	1000	0.017	0.020	0.956	0.148	1.43/3220	1000	2700-3400	5	N760C	
150	1000	0.017	0.020	0.88	0.124	1.28/3220	1000	2700-3400	5	N990C	
200	1000	0.011	0.012	1.35	0.294	2.23/3000	1700	2700-4700	6	N750C	
200	1000	0.011	0.012	1.16	0.246	1.90/3000	1700	2700-4700	6	N850C	
200	1000	0.011	0.012	0.78	0.274	1.60/3000	1700	2700-4700	6	N880C	
200	1000	0.011	0.012	0.92	0.16	1.40/3000	1700	2700-4700	6	N900C	
200	1000	0.011	0.012	0.88	0.164	1.37/3000	1700	2700-4700	6	N980C	
200	1000	0.011	0.012	0.97	0.095	1.25/3000	1700	2700-4700	6	N1400C	
200	1000	0.011	0.012	0.85	0.070	1.06/3000	1700	2700-4700	6	N1600C	
300	1000	0.0095	0.010	1.20	0.20	2.40/6000	1300	6300-7700	7	N1200C	
300	1000	0.0095	0.010	1.15	0.15	2.05/6000	1300	6300-7700	7	N1300C	
300	1000	0.0095	0.010	0.94	0.11	1.27/3000	1300	6300-7700	7	N1550C	

Phase Control Thyristors ~ Outlines



Phase Control Thyristors ~ Notes

Ordering

The required voltage rating may be defined by substituting the appropriate voltage code number (see table 1) into the type number in place of the "x" symbol, see type list. When phase control thyristors are supplied with critical dv/dt other than 200V/μsec an additional code (see table 2) is appended to the type number.

Examples

N018RH12 : 1200 volt device with standard 200V/μsec critical dv/dt
 N105PH12H00 : 1200 volt device with 400V/μsec critical dv/dt

Notes

- (1) $I_{TSM}(8.3ms) = I_{TSM}(10ms) \times 1.066$
 $I^2t(8.3ms) = I^2t(10ms) \times 0.943$
 $T_j = 125^\circ C$
- (2) V_o Threshold voltage } for conduction loss
 r Slope resistance } and heatsink
 } calculations
 } ($T_j = 125^\circ C$)
- (3) These outlines available with the following compressed heights :
 Outline 11 23.5 / 24.5 (0.93 / 0.96)
 Outline 12 25.6 / 26.9 (1.00 / 1.06)
 Ordering code NxxxDHxx
 e.g. N980DH12
- (4) di/dt ratings refer to the sum of snubber discharge and load currents.
- (5) A blocking voltage derating factor of 0.13% per deg. Celsius is applicable for T_j below 25 deg. C.

Table 1. Voltage Code

Voltage Code Number	V_{DRM} and V_{RRM}	V_{RSM}	V_{DSM}
02	200	300	200
04	400	500	400
06	600	700	600
08	800	900	800
10	1000	1100	1000
12	1200	1300	1200
14	1400	1500	1400
15	1500	1600	1500
16	1600	1700	1600
18	1800	1900	1800
20	2000	2100	2000
22	2200	2300	2200
24	2400	2500	2400
26	2600	2700	2600
28	2800	2900	2800
30	3000	3100	3000
32	3200	3300	3200
34	3400	3500	3400
36	3600	3700	3600
38	3800	3900	3800
40	4000	4100	4000
42	4200	4300	4200
44	4400	4500	4400
45	4500	4600	4500

Table 2. dv/dt Code
 Linear to 80% V_{DRM}

dv/dt (V/μsec)	Code
200	NO CODE
300	GOO
400	HOO
500	JOO
750	KOO
1000	LOO