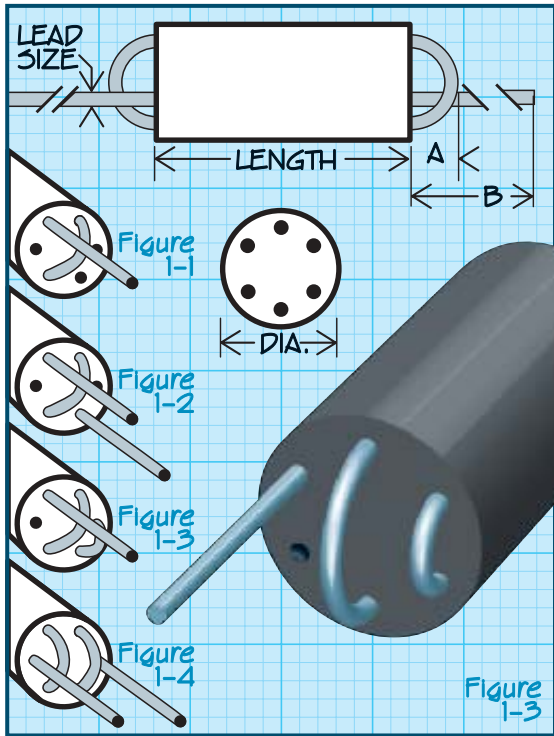


Series 4212

Wound Beads



PART NUMBER	FIGURE	# OF TURNS	MINIMUM IMPEDANCE					
			@ 10 MHz	@ 50 MHz	@ 100 MHz	@ 150 MHz	@ 200 MHz	@ 220 MHz
4212-1	1-3	2½	—	—	750	700	—	400
4212-2	1-3	2½	325	—	575	525	—	—
4212-3	1-1	1½	—	325	425	—	400	—
4212-4	1-1	1½	170	320	375	—	—	—
4212-5	1-2	2	—	525	600	—	600	—
4212-6	1-2	2	240	520	480	—	—	—
4212-7	1-4	3	—	950	900	—	600	—
4212-8	1-4	3	400	800	550	—	—	—

Physical Parameters

	Inches	Millimeters
Length	0.374 to 0.414	9.50 to 10.51
Diameter	0.216 to 0.256	5.48 to 6.35
Lead Size		
AWG #24 TCW	0.0185 to 0.0215	0.47 to 0.55
A	0.12 Max.	3.05 Max.
B	1.10 Min.	28.0 Min.

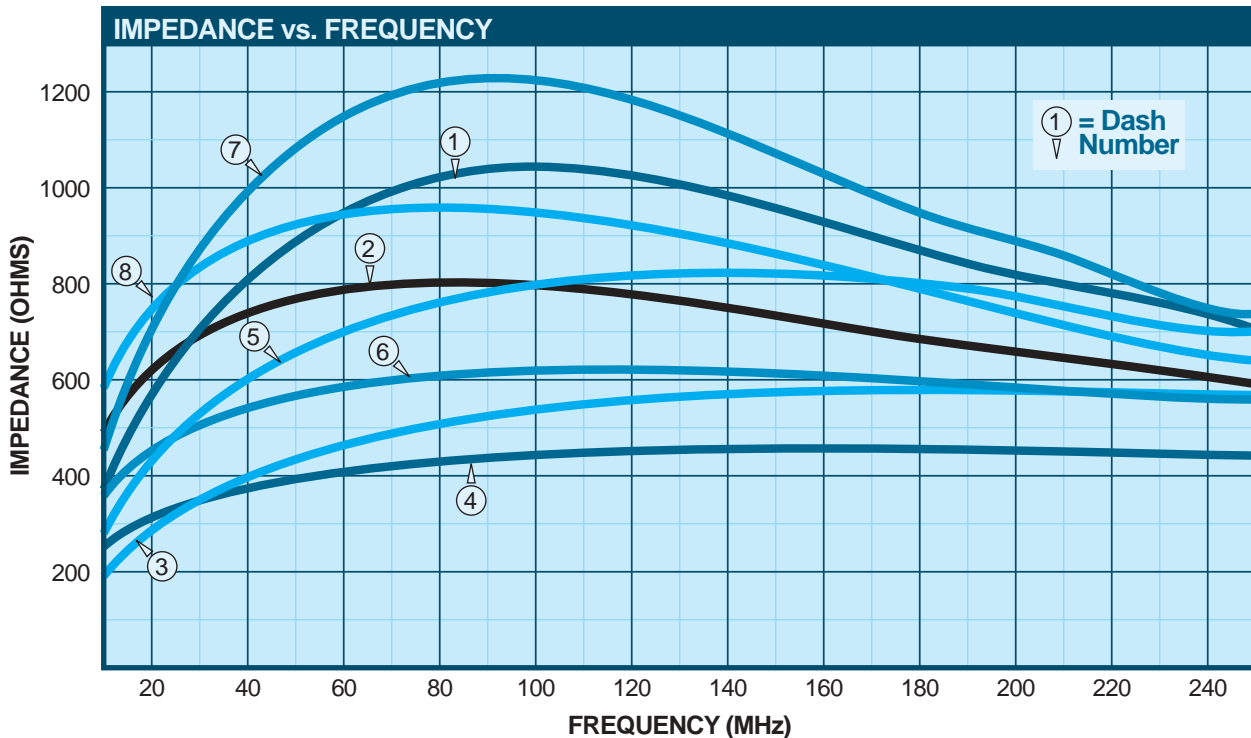
Impedances measured on HP 4191A Impedance Analyzer.

High resistivity ferrite material eliminates the need to insulate windings.

Lead Wire Tin/Lead coated copper

Packaging Bulk only

For more detailed graphs, contact factory



SUPPRESSORS