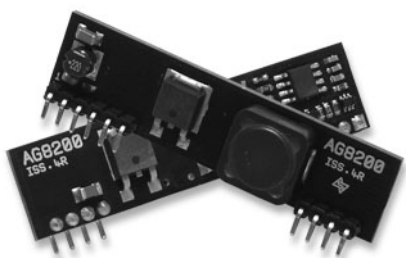




Ag8200

Power-Over-Ethernet Module



1. Features

- IEEE802.3af compliant
- Small package size - 56mm (L) x 14mm (H)
- Input voltage range 37V to 57V
- Overload and short-circuit protection
- Adjustable Output - 3 product variants cover all voltages from 2.5V to 14V
- Thermal Cut Off
- High efficiency DC/DC converter
- Silver Telecom "design-in" assistance

2. Description

The Ag8200 series of modules are designed to extract power from a conventional twisted pair Category 5 Ethernet cable, conforming to the IEEE 802.3af Power-over-Ethernet (PoE) standard.

The Ag8200 signature and control circuit provides the PoE compatibility signature and power classification required by the Power Sourcing Equipment (PSE) before applying up to 15W power to the port. The Ag8200 is compatible with Class 0 to Class 3 equipment.

The high efficiency DC/DC converter operates over a wide input voltage range and provides a non-isolated regulated low ripple and low noise output. The DC/DC converter also has built-in output overload, output short-circuit and over-temperature protection.

Table of Contents

1. Features.....	1
2. Description.....	1
Table of Contents.....	2
Table of Figures.....	2
3. Ag8200 Product Selector.....	3
4. Pin Description.....	4
5. Functional Description.....	5
5.1. Inputs.....	5
5.2. PD Signature.....	5
5.3. Isolation.....	5
5.4. Power Classification.....	6
5.5. DC/DC Converter.....	6
5.6. Grounding.....	7
5.7. Output Adjustment.....	7
5.8. Typical Connections.....	8
6. Typical Application.....	9
7. Typical Recommendations.....	10
8. Operating Temperature Range.....	10
9. Over-voltage.....	11
10. Electrical Characteristics.....	13
10.1. Absolute Maximum Ratings*.....	13
10.2. Recommended Operating Conditions.....	13
10.3. DC Electrical Characteristics*.....	14
11. Package.....	15
11.1. Ag8200-S.....	15
11.2. Ag8200-D.....	15

Table of Figures

Figure 1: Block Diagram with External Components.....	3
Figure 2: Ag8200-S SIL Package Format.....	4
Figure 3: Typical System Diagram.....	5
Figure 4: Class Programming Option.....	6
Figure 5: Output Adjustment.....	7
Figure 6: Typical Connection Diagram.....	8
Figure 7: Typical Application.....	9
Figure 8: Typical Layout.....	10
Figure 9: Power Plane Heatsink for Ag8200-S.....	11
Figure 10: Ag8203 Operating Profile.....	12
Figure 11: Ag8205 Operating Profile.....	12
Figure 12: Ag8212 Operating Profile.....	13

3. Ag8200 Product Selector

Part Number	Nominal Output Voltage	Maximum Output Power * (Watts)	Marking	Package
Ag8212-S	12.0V	12	12	SIL
Ag8205-S	5.0V	9	5	SIL
Ag8203-S	3.3V	6.6	3	SIL
Ag8212-D	12.0V	12	12	DIL
Ag8205-D	5.0V	9	5	DIL
Ag8203-D	3.3V	6.6	3	DIL

*At 25°C with $V_{IN} = 48V$

† All versions of the Ag8200 are RoHS compliant.

Table 1: Ordering Information

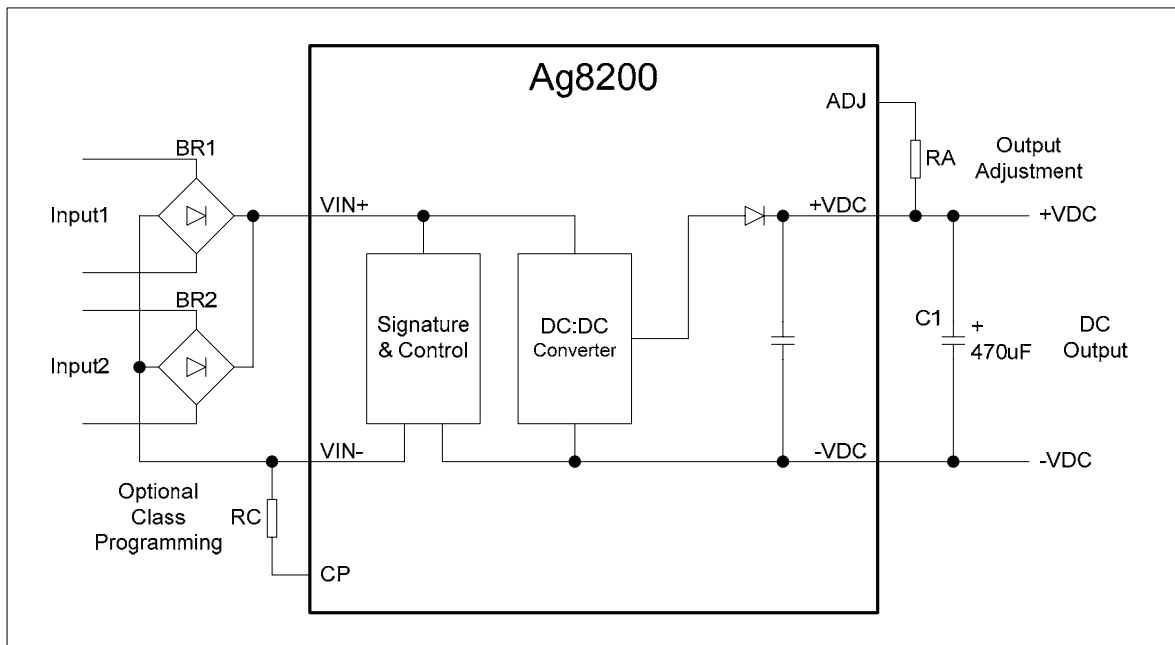


Figure 1: Block Diagram with External Components

4. Pin Description

Pin #	Name	Description
1	VIN+	Direct Input +. This pin connects to the positive (+) output of the input bridge rectifiers (internally connected to pin 3).
2	VIN-	Direct Input -. This pin connects to the negative (-) output of the input bridge rectifiers (internally connected to pins 4 and 5).
3	VIN+	Direct Input +. Internally connected to pin 1.
4	VIN-	Direct Input -. Internally connected to pin 2.
5		
6	CP	Class Programming. Connecting an external resistor to VIN- will change the current class of the module. With no resistor fitted the Ag8200 will default to Class 0.
7	-VDC	Negative DC Output. This pin provides the negative regulated output from the DC/DC converter.
8	+VDC	Positive DC Output. This pin provides the positive regulated output from the DC/DC converter.
9	ADJ	Output Adjust. The output voltage is set by connecting an external resistor from this pin to the +VDC pin. See the Output Adjustment section for more information.
10	IC	Internal Connection. Do not connect to this pin.

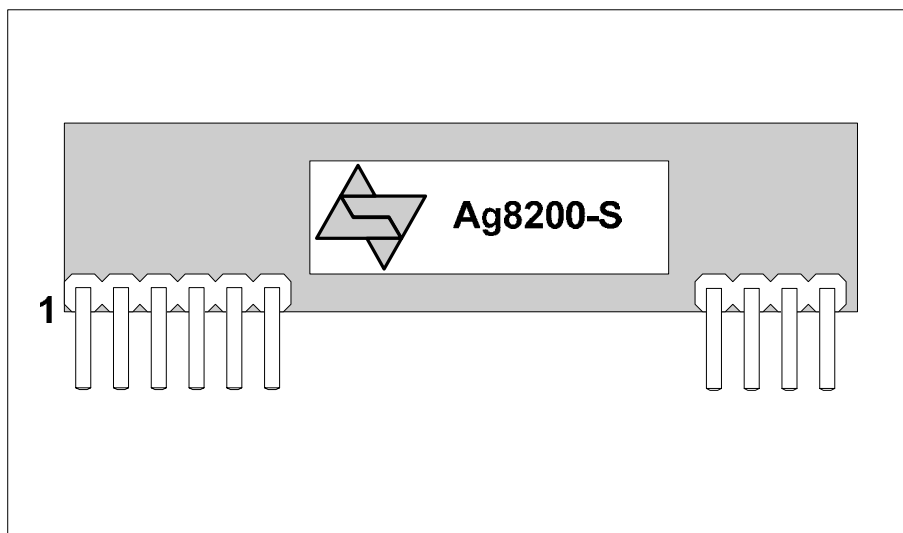


Figure 2: Ag8200-S SIL Package Format

5. Functional Description

5.1. Inputs

The Ag8200 has a single input that can be connected to two external bridge rectifiers (see Figure 1). This allows the Ag8200 to be compatible with equipment that use the different power options, see Figure 3. It is important that the PSE does not apply power to both bridge rectifiers at the same time (Refer to IEEE802.3af for more information).

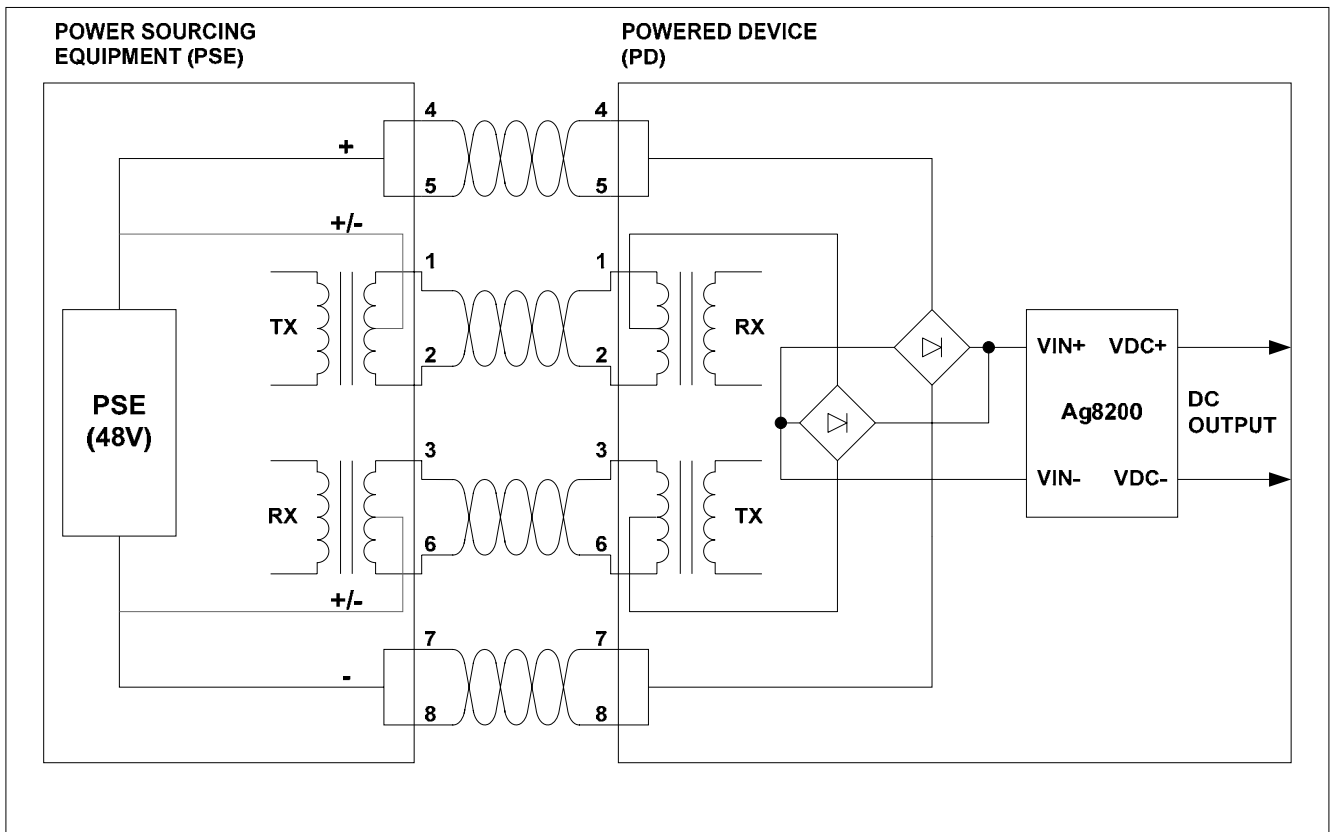


Figure 3: Typical System Diagram

5.2. PD Signature

When the Ag8200 is connected to the Cat 5e cable, it will automatically present a Powered Device (PD) signature to the Power Sourcing Equipment (PSE) or Midspan Equipment, when requested. The equipment will then recognise that a powered device is connected to that line and supply power.

5.3. Isolation

The Ag8200 series conforms to the IEEE 802.3af standard except for the 1500V isolation, which must be done externally. This is usually achieved without additional components, by using a plastic insulating enclosure. Contact Silver Telecom for further details.

5.4. Power Classification

This is optional from the PSE and is used for power management. The Ag8200 allows the current class to be externally programmed by connecting a resistor between the CP and VIN- pins, see Figure 4. If no resistor is fitted the Ag8200 will default to Class 0, a full list of programming resistor values are shown in Table 2.

CLASS	Programming Resistance (Ohms)	Min Power (W)	Max Power (W)
0	Do not fit	0.44	12.95
1	698	0.44	3.84
2	343	3.84	6.49
3	249	6.49	12.95
4	TBD	Reserved	Reserved

Table 2: Class Programming

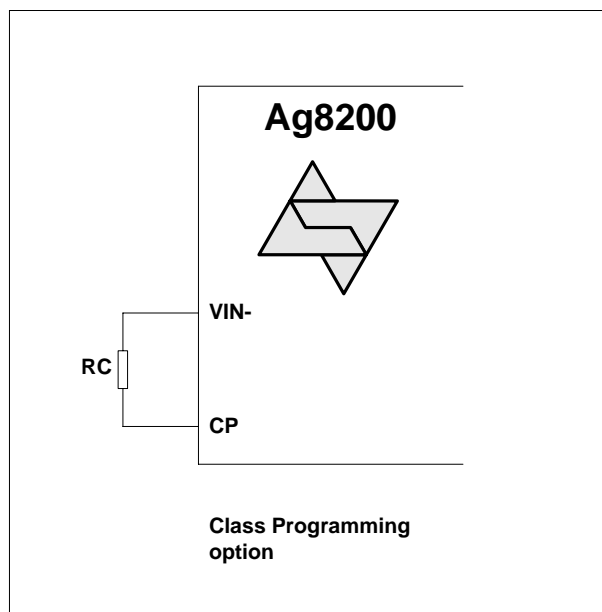


Figure 4: Class Programming Option

5.5. DC/DC Converter

The Ag8200's DC/DC converter provides a non-isolated regulated low ripple and low noise output, that has built-in overload and short-circuit output protection, as well a built-in thermal cut-off - see Table 1: Ordering Information for voltage and power ratings.

Because the Ag8200 series are non-isolated the +VDC output is (internally) connected to the VIN+ input.

5.6. Grounding

If the Ag8200 is supplied from a grounded source (e.g. a standard multi-channel PSE) it is important that the -VDC output is **NOT** connected to ground.

Connecting both input and output to ground will result in a short circuit that will prevent the Ag8200 from operating correctly.

5.7. Output Adjustment

The Ag8200 output voltage is set externally by the RA resistor. If the RA resistor is open circuit (O/C) then the output is set to its maximum voltage. If the RA resistor is a short circuit (S/C) then the output will be set to its minimum voltage. Table 3 below shows the output voltage range of each of the product variants and the values of RA required to set the nominal output voltage.

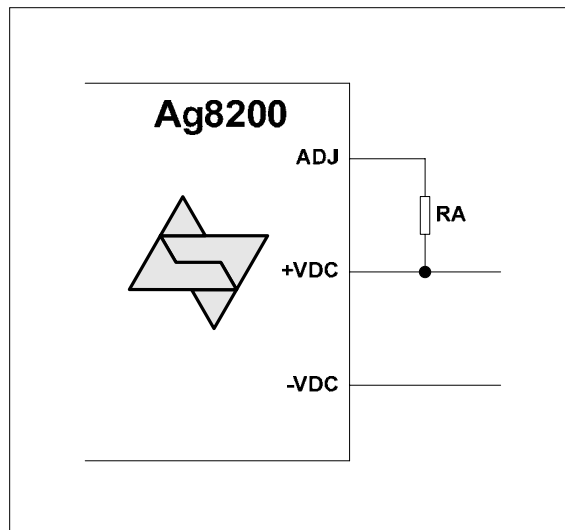


Figure 5: Output Adjustment

Setting the output voltage, connect RA between ADJ and +VDC					
Ag8203		Ag8205		Ag8212	
RA	Output	RA	Output	RA	Output
O/C	4.5V	O/C	7.5V	O/C	14.0V
5K6	3.3V	3K	5V	68K	12.0V
S/C	2.5V	S/C	4.5V	S/C	7.5V

Table 3: Output Adjustment Resistor (RA) Value

*Note: the results in Table 3 are under minimum load conditions

5.8. Typical Connections

The Ag8200 only requires external bridge rectifiers on its input, the RA resistor and a low cost capacitor on its output (a minimum of 470µF is recommended) as shown in Figure 6.

The value of C1 will be related to the maximum load step change that the output needs to drive. For example, in an application where the output needs to cope with a 1.8 Amp load step change, a minimum of 470µF should be used. This can be a standard low cost electrolytic and does not need to be a low ESR type.

Figure 6 shows a 16V capacitor that would cover all product variants up to and including the Ag8212, see Table 1: Ordering Information.

The Class programming input is optional and provides great flexibility to the Ag8200. Further information on using this input can be found in sections 5.4. Power Classification.

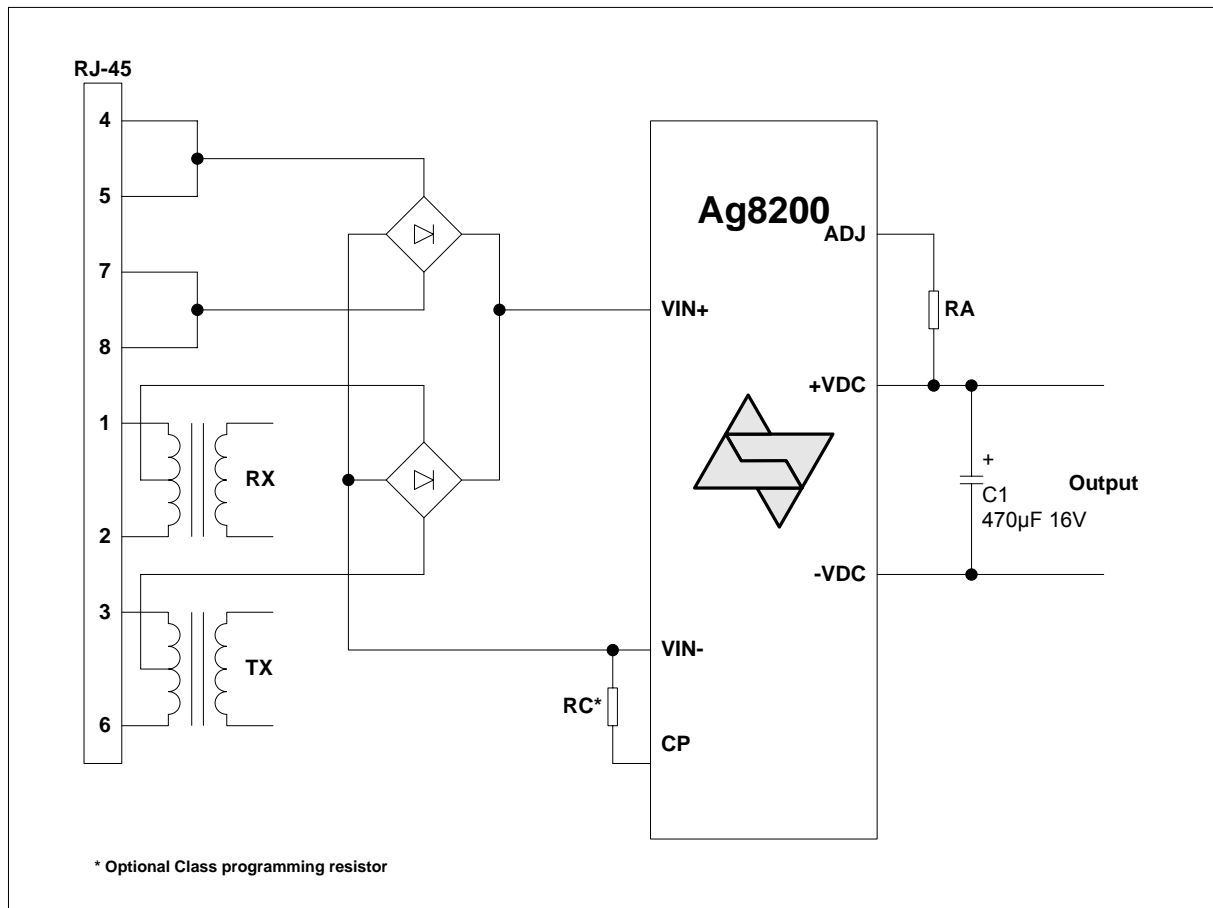


Figure 6: Typical Connection Diagram

6. Typical Application

The Ag8200 can be used in numerous applications. In the example shown in Figure 7, the data outputs from the switch are connected to the inputs of a midspan. The midspan will then add power (to the data) on each output that supports Power over Ethernet (PoE).

In this example port 1 is connected to an ethernet camera and port 2 is connected to a wireless access point, both of these devices have a built-in Ag8200. When the midspan is switched on (or when the device is connected), the midspan will check each output for a PoE signature. On ports 1 and 2 the Ag8200 will identify themselves as PoE enabled devices and the midspan will supply both data and power to these peripherals.

The other ports (shown in this example) will not have a PoE signature and the midspan will only pass the data through to these peripherals. The midspan will continuously monitor each output to see if a PoE enabled device has been added or removed.

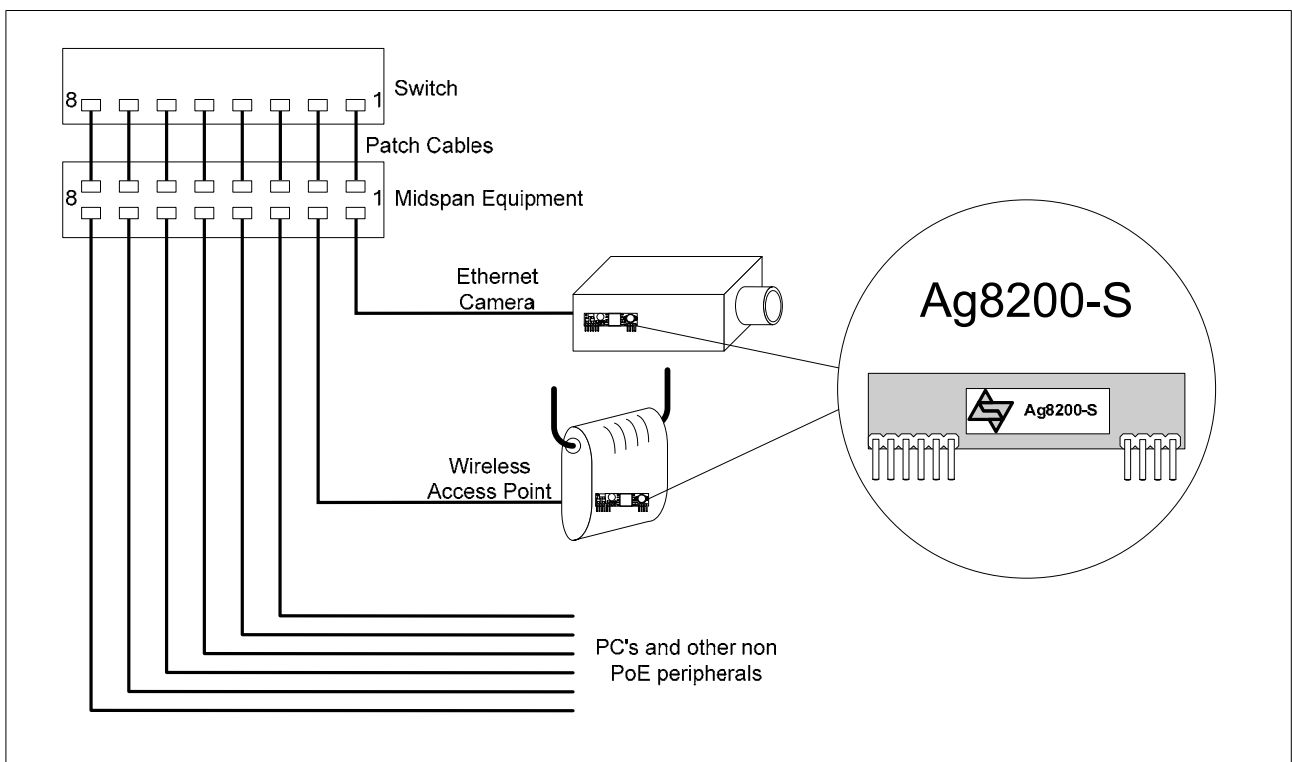


Figure 7: Typical Application

7. Typical Recommendations

Figure 8: Typical Layout gives an example of the tracking needed for the Ag8200. R1, R2 and R3 are optional components, but C1 needs to be positioned close to the output pins of the Ag8200 as possible to minimise the current loop. The thermal performance of the Ag8200 can be improved by increasing the surface area of the output tracks (+VDC and -VDC) this is not applicable if the Ag8200 is in a socket.

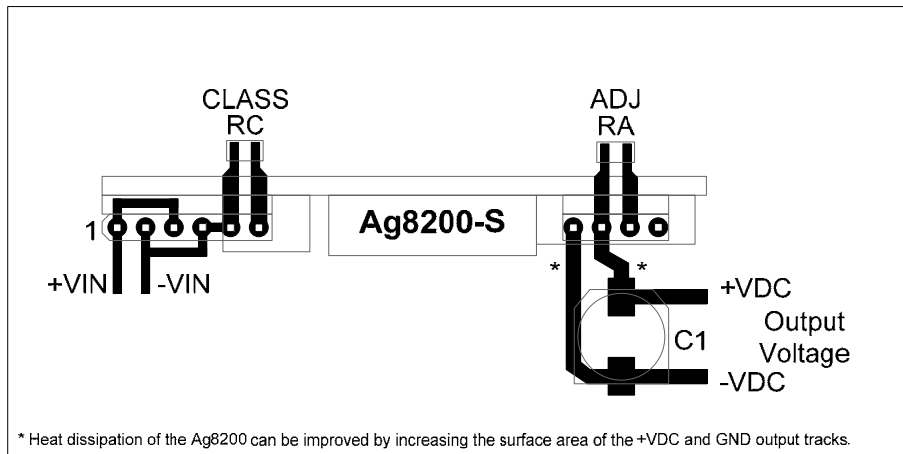


Figure 8: Typical Layout

8. Operating Temperature Range

Because the Ag8200 is a power component, it will generate heat, so it is important that this be taken into consideration at the design stage.

The heart of the Ag8200 is a DC/DC converter, which like any other power supply will generate heat. The amount of heat generated by the module will depend on the load it is required to drive and the input voltage supplied by the PSE. The information shown within this section of datasheet is referenced to a nominal 48Vdc input voltage supplied by the PSE.

The Ag8200 has a maximum ambient operating temperature of 70 °C see Figure 10, Figure 11 & Figure 12. These results are in still air without any heatsinking, the performance of the Ag8200 can be improved by forcing the airflow over the part or by using a heatsink (see the Ag8200 application note on heatsinking for more information).

The Ag8200 has built-in thermal protection, to prevent the module from being damaged if operated beyond its power / temperature specification. If the thermal protection circuit is activated then the DC/DC converter will shut down and will remain off until the input voltage is removed and reapplied. In shut down mode the Ag8200 input current will be less than 5mA, which is below the PSE output hold current. The PSE will assume that the Ag8200 has been disconnected and will switch its output off and will return to testing for a correct signature. The thermal protection circuit will continue to disable the DC/DC converter until the Ag8200 temperature has cooled sufficiently.

Because each application is different it is impossible to give fixed and absolute thermal recommendations. However it is important that any enclosure used has sufficient ventilation for the Ag8200 and a direct airflow if possible.

One simple method for drawing some of the heat away from the Ag8200 is shown in Figure 9. Power planes connected to the +VDC and GND pins of the Ag8200 can be used to draw heat away from the DC/DC converter via the output pins.

These power planes must be on the outer layers of the PCB and the Ag8200 must not be fitted into a socket (this example is suitable for both –S and –D variants).

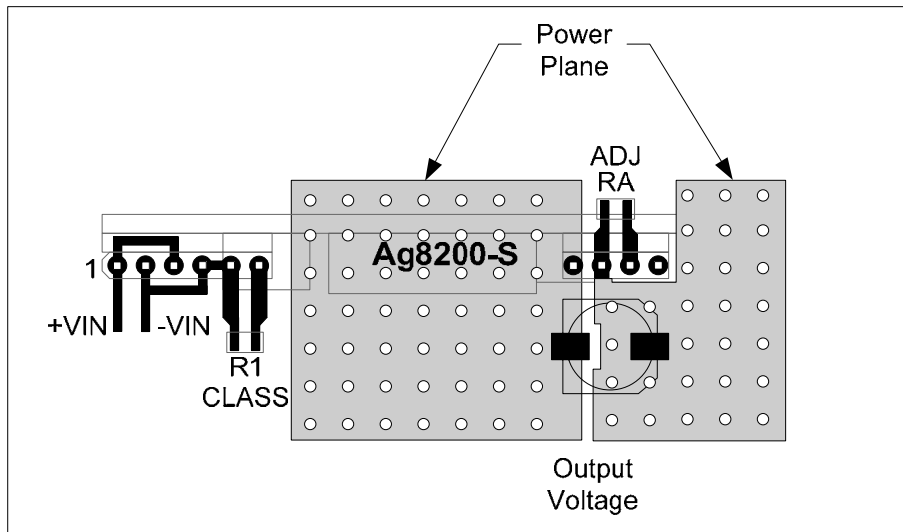


Figure 9: Power Plane Heatsink for Ag8200-S

Figure 10, Figure 11 and Figure 12 show the maximum ambient temperature under different load conditions. These figure have been recorded in a sealed enclosure (in still air) using a heater element to elevate the ambient temperature (within the enclosure).

9. Over-voltage

The Ag8200 may be damaged by voltage inputs greater than 80V. If protection from electrostatic discharge (ESD) or other high voltage transients is required it is recommended that an over-voltage clamping device is fitted between the VIN+ and the VIN- pins. Typically an SMAJ58 will be sufficient.

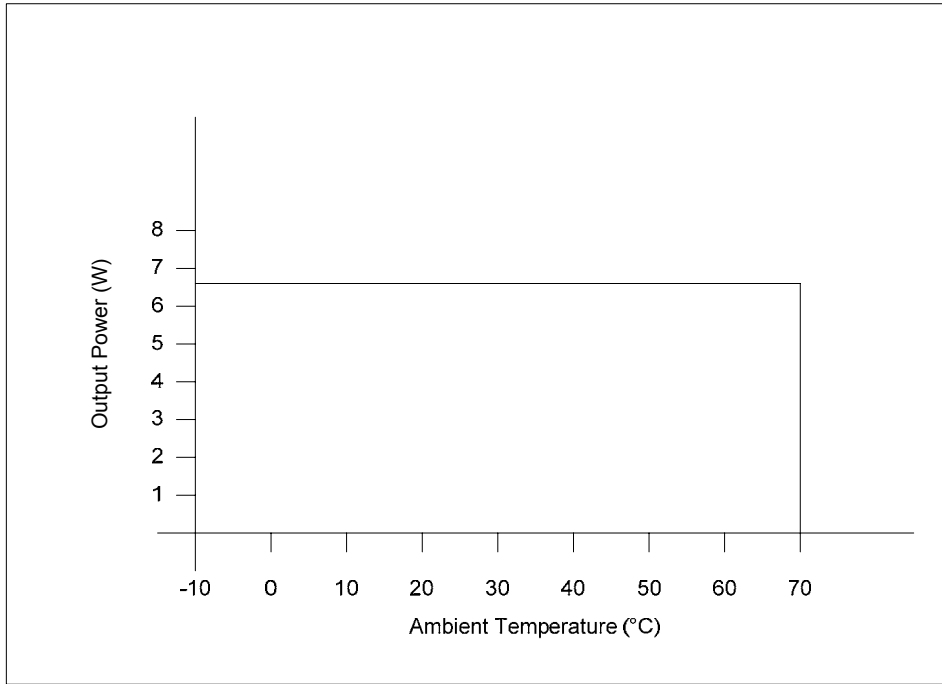


Figure 10: Ag8203 Operating Profile

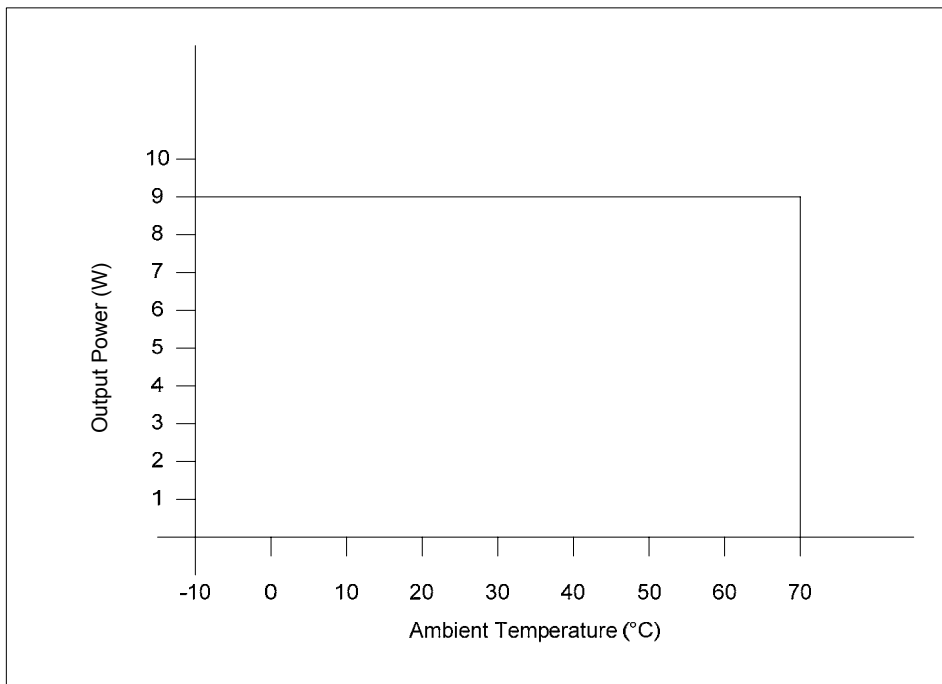


Figure 11: Ag8205 Operating Profile

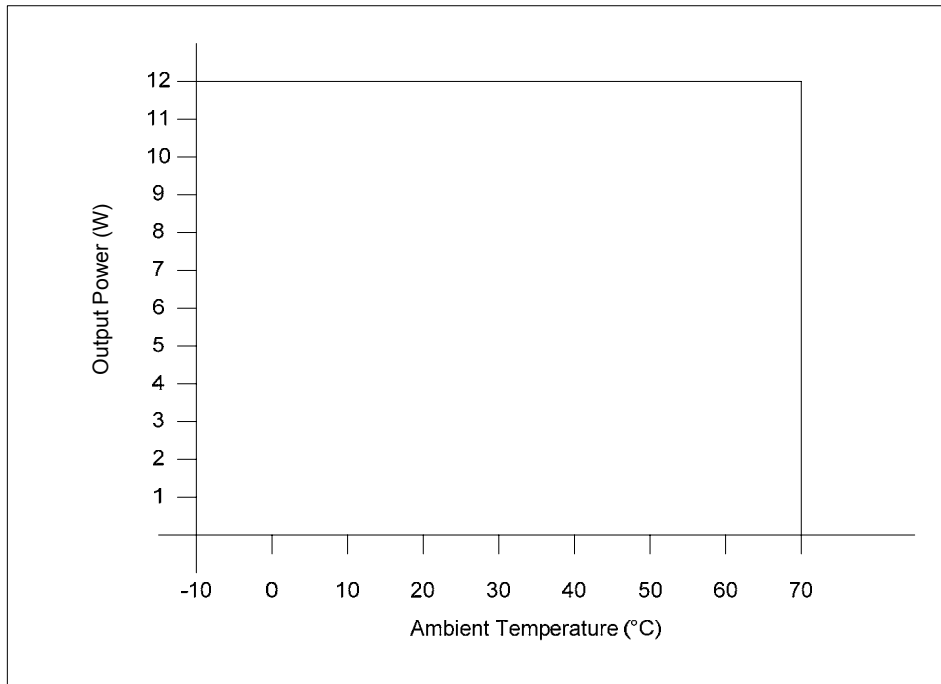


Figure 12: Ag8212 Operating Profile

10. Electrical Characteristics

10.1. Absolute Maximum Ratings*

	Parameter	Symbol	Min	Max	Units
1	DC Supply Voltage	V_{CC}	-0.3	60	V
2	DC Supply Voltage Surge for 1ms	V_{SURGE}	-0.6	80	V
3	Storage Temperature	T_S	-40	+100	°C

*Exceeding the above ratings may cause permanent damage to the product. Functional operation under these conditions is not implied. Maximum ratings assume free airflow.

10.2. Recommended Operating Conditions

	Parameter	Symbol	Min	Typ	Max	Units
1	Input Supply Voltage	V_{IN}	36	48	57	V
2	Under Voltage Lockout	V_{LOCK}	30		36	V
3	Operating Temperature	T_{OP}	-10	25	70†	$T_a / ^\circ C$

†See Section 8. Operating Temperature Range

10.3. DC Electrical Characteristics*

	DC Characteristic	Sym	Min	Typ*	Max	Units	Test Comments
1	Output Voltage (see Section 5.7. Output Adjustment)	V_{OUT}	2.5	3.3	4.5	V	Ag8203
			4.5	5.0	7.5	V	Ag8205
			7.5	12	14	V	Ag8212
2	Output Current ($V_{IN} = 48V$)	I_{OUT}			2.0	A	Ag8203
					1.8	A	Ag8205
					1.0	A	Ag8212
3	Line Regulation $V_{IN} = 36V$ to $57V$ @ max load**	V_{LINE}		1.0		%	Ag8203
				0.5			Ag8205
				0.25			Ag8212
4	Load Regulation min to max load ($V_{IN} = 48V$)**	V_{LOAD}		5.0		%	Ag8203
				2.5			Ag8205
				1.5			Ag8212
5	Output Ripple and Noise Max load †	V_{RN}		40		mVp-p	Ag8203
				40		mVp-p	Ag8205
				30		mVp-p	Ag8212
6	Minimum Load	R_{LOAD}		250		mA	for specified regulation ‡
7	Short-Circuit Duration	T_{SC}			∞	sec	Continuous @ $50^{\circ}C$, $V_{IN}=48V$
8	Efficiency @ 100% Load, $V_{IN}=48V$	EFF		72		%	Ag8203
				79			Ag8205
				87			Ag8212

*Typical figures are at 25°C with a nominal 48V supply and are for design aid only. Not Guaranteed

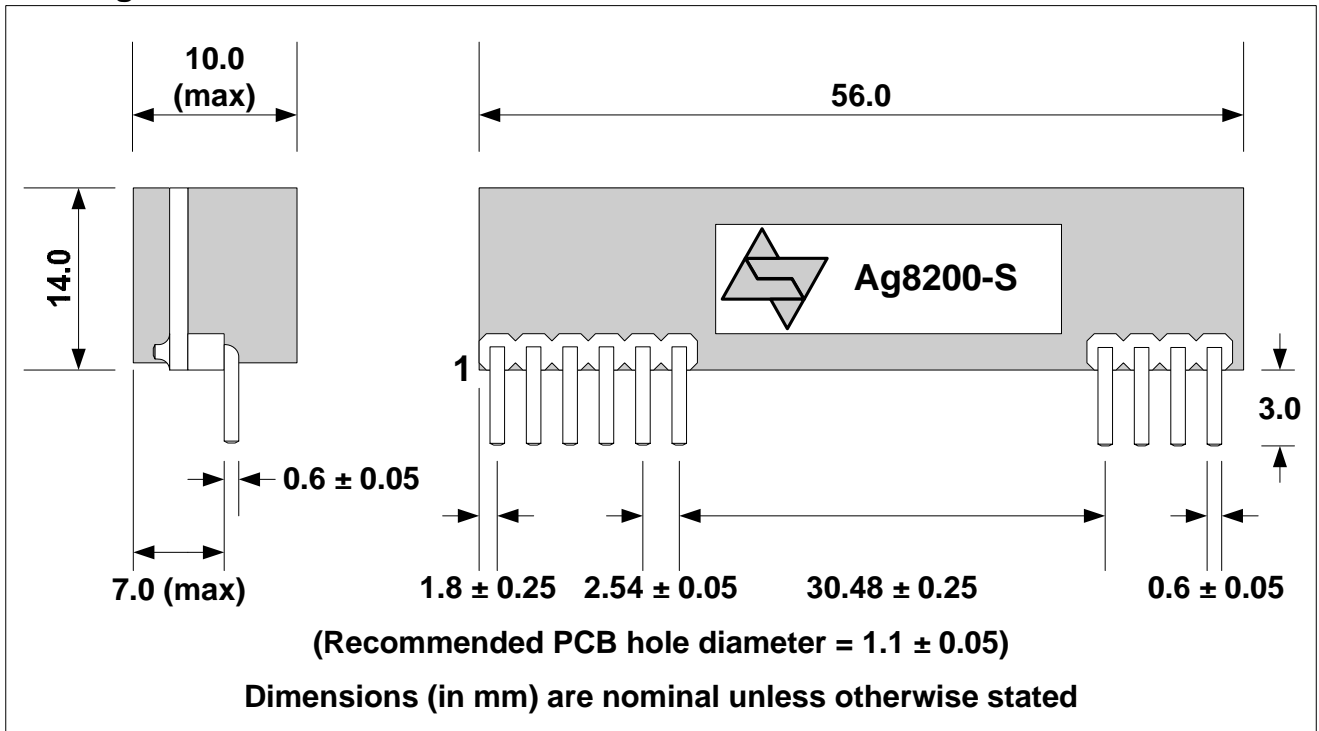
**After 5 minutes

†The output ripple and noise can be reduced with an external filter, see application note.

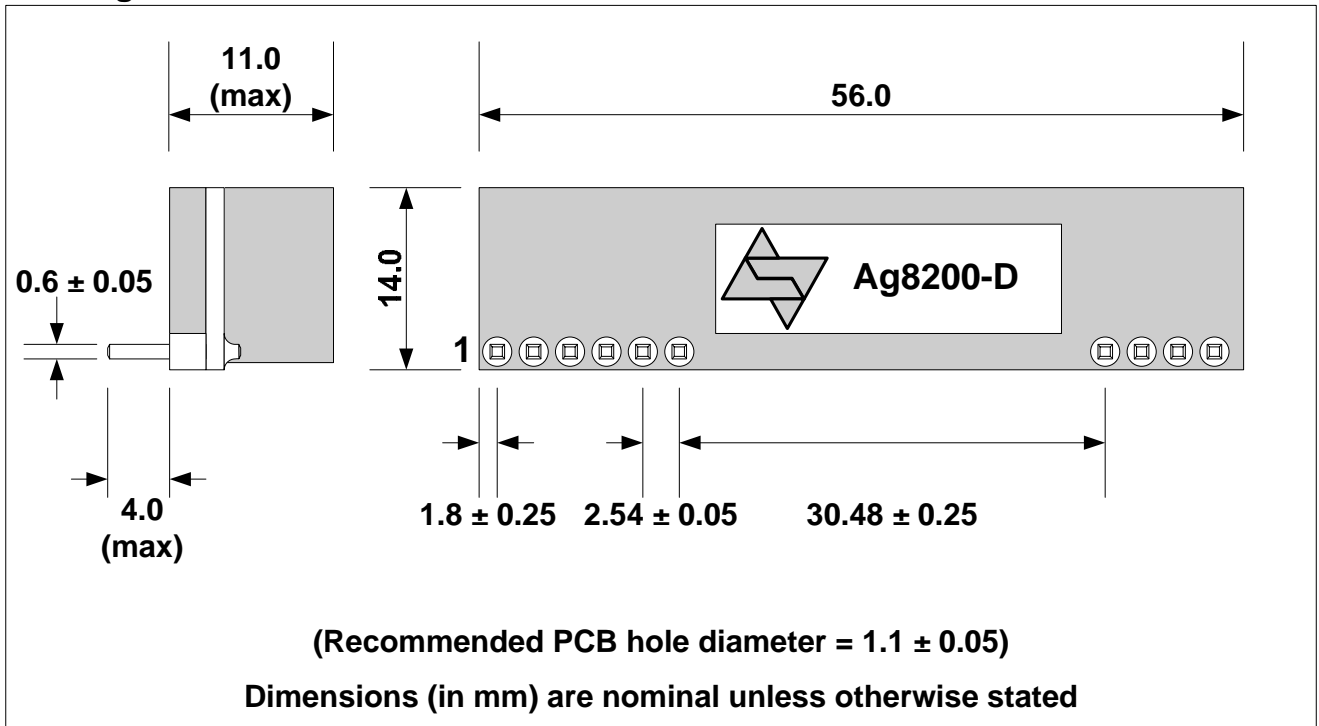
‡Can be used with no load at reduced voltage regulation.

11. Package

11.1. Ag8200-S



11.2. Ag8200-D



Information published in this datasheet is believed to be correct and accurate. Silver Telecom assumes no liability for errors which may occur or for liability otherwise arising out of use of this information or infringement of patents which may occur as a result of such use. No license is granted by this document under patents owned by Silver Telecom or licensed from third parties by Silver Telecom. The products, their specification and information appearing in this document are subject to change by Silver Telecom without notice.

