



# SAW Components

Data Sheet B3668





**SAW Components**

**B3668**

**Low-Loss Filter**

**1950 MHz**

**Data Sheet**

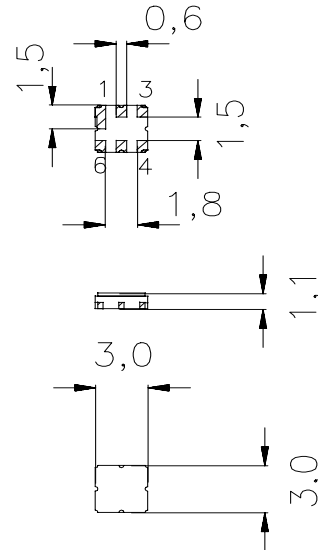
SMD ceramic package **DCC6C**

**Features**

- Low-loss RF filter for UMTS system
- Usable passband 60 MHz
- No matching network required for operation at 50 Ω
- Ceramic Package for **Surface Mounted Technology (SMT)**
- RoHS Compliant

**Terminals**

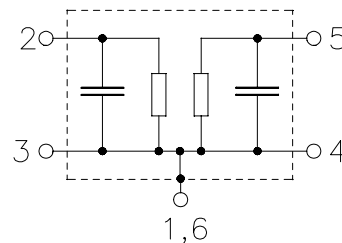
- Ni, gold-plated



Dimensions in mm, approx. weight 0,037 g

**Pin configuration**

- 2 Input
- 1, 3 Input ground
- 5 Output
- 4, 6 Output ground



Type	Ordering code	Marking and Package according to	Packing according to
B3668	B39202-B3668-U410	C61157-A7-A67	F61074-V8168-Z000

Electrostatic Sensitive Device (ESD)

**Maximum ratings**

Operable temperature range	T	-40 / +85	°C	Machine Model, 10 pulses continuous wave, 85 °C continuous wave, 55 °C
Storage temperature range	T <sub>stg</sub>	-40 / +85	°C	
DC voltage	V <sub>DC</sub>	0	V	
ESD voltage	V <sub>ESD</sub>	50 <sup>1)</sup>	V	
Input power max.				
2080,0 ... 2170,0 MHz	P <sub>IN</sub>	12	dBm	
	P <sub>IN</sub>	15	dBm	

1) acc. to JESD22-A115A (Machine Model), 10 negative & 10 positive pulses.



**SAW Components**

**B3668**

**Low-Loss Filter**

**1950 MHz**

**Data Sheet**

**Characteristics**

Operating temperature range:  $T_A = -30 \dots +85 \text{ }^\circ\text{C}$   
 Terminating source impedance:  $Z_S = 50 \text{ } \Omega$   
 Terminating load impedance:  $Z_L = 50 \text{ } \Omega$

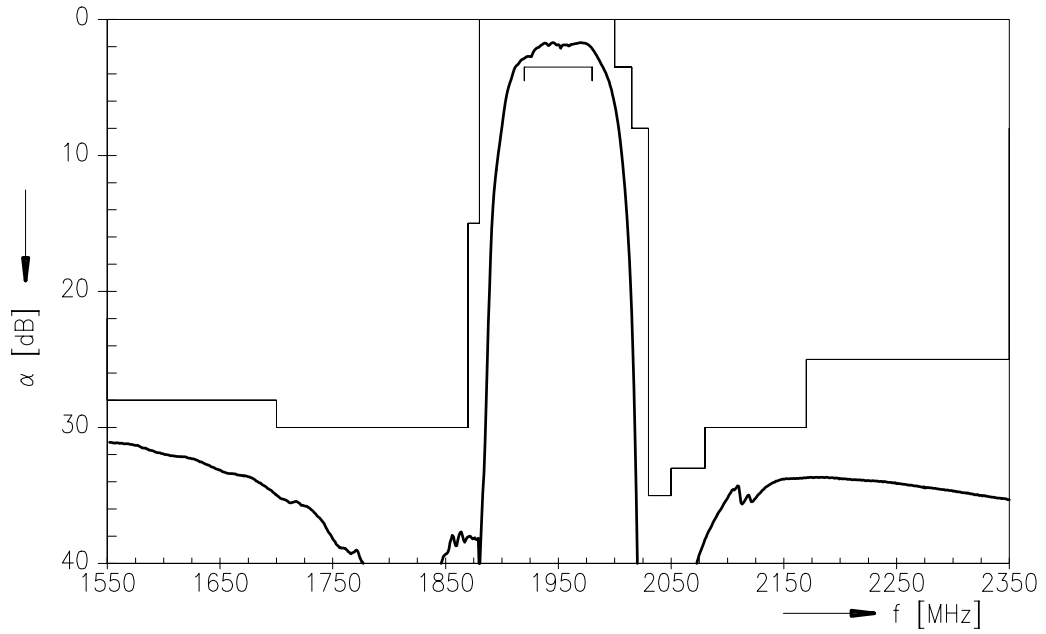
		min.	typ.	max.	
<b>Nominal frequency</b>	$f_N$	—	1950,0	—	MHz
<b>Maximum insertion attenuation</b>	$\alpha_{\max}$	—	3,0	3,5	dB
1920,0 ... 1980,0 MHz					
<b>Amplitude ripple (p-p)</b>	$\Delta\alpha$	—	1,5	2,1	dB
1920,0 ... 1980,0 MHz					
<b>Return loss</b>		8,0	10,0	—	dB
1920,0 ... 1980,0 MHz					
<b>Attenuation</b>	$\alpha$				
50,0 ... 1400,0 MHz		22,0	25,0	—	dB
1400,0 ... 1495,0 MHz		25,0	28,0	—	
1495,0 ... 1700,0 MHz		28,0	31,0	—	dB
1700,0 ... 1870,0 MHz		30,0	34,0	—	
1870,0 ... 1880,0 MHz		20,0 *)	30,0	—	dB
2000,0 ... 2015,0 MHz		3,5	6,0	—	
2015,0 ... 2030,0 MHz		8,0	20,0	—	dB
2030,0 ... 2050,0 MHz		35,0	45,0	—	
2050,0 ... 2080,0 MHz		33,0	37,0	—	dB
2080,0 ... 2170,0 MHz		30,0	34,0	—	
2170,0 ... 5000,0 MHz		25,0	30,0	—	dB
5000,0 ... 5800,0 MHz		10,0	12,0	—	
5800,0 ... 6000,0 MHz		8,0	10,0	—	dB
<b>Temperature coefficient of frequency</b>	$TC_f$	—	-35	—	ppm/K

\*) min. 15 dB ( $T > 45 \text{ }^\circ\text{C}$ )

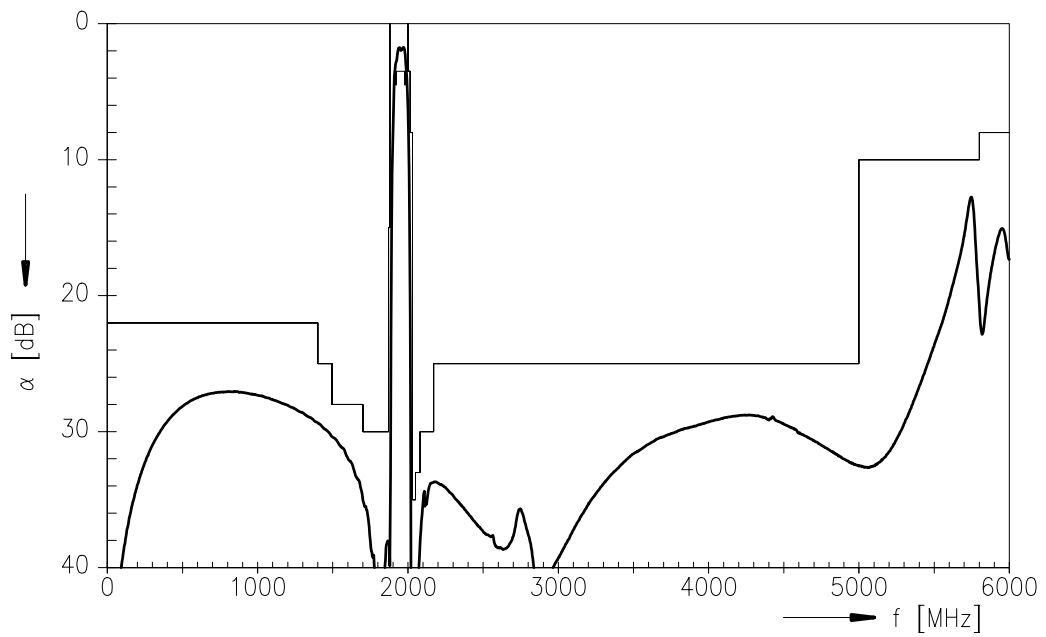


Data Sheet

Transfer function (narrow band)



Transfer function (wide band)





**SAW Components**

**B3668**

**Low-Loss Filter**

**1950 MHz**

Data Sheet

**Published by EPCOS AG**

**Surface Acoustic Wave Components Division, SAW COM WT PD**

**P.O. Box 80 17 09, 81617 Munich, GERMANY**

© EPCOS AG 2006. Reproduction, publication and dissemination of this brochure and the information contained therein without EPCOS' prior express consent is prohibited.

Purchase orders are subject to the General Conditions for the Supply of Products and Services of the Electrical and Electronics Industry recommended by the ZVEI (German Electrical and Electronic Manufacturers' Association), unless otherwise agreed.

This brochure replaces the previous edition.

For questions on technology, prices and delivery please contact the Sales Offices of EPCOS AG or the international Representatives.

Due to technical requirements components may contain dangerous substances. For information on the type in question please also contact one of our Sales Offices.