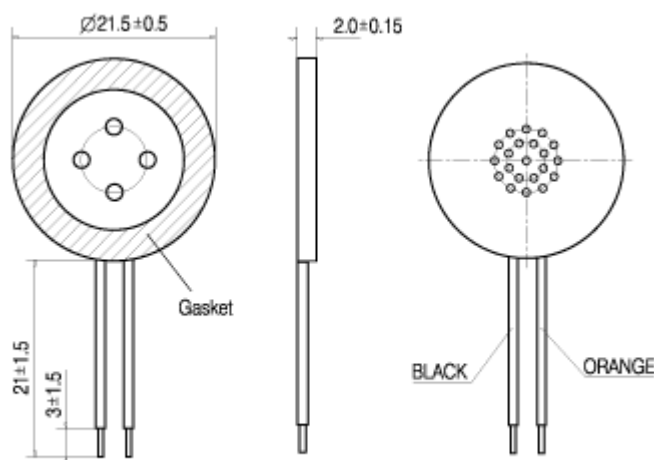




Type	BDR-5
Sensitivity(dB)	102~110 At 1mw
Capacitance(nF)	35~65
Sensitivity(Vrms)	5
Frequency Range(Hz)	300~3400
THD	≤2%
Operating Temperature(°C)	-30~+85
Weight(g)	0.5



Unit:mm

