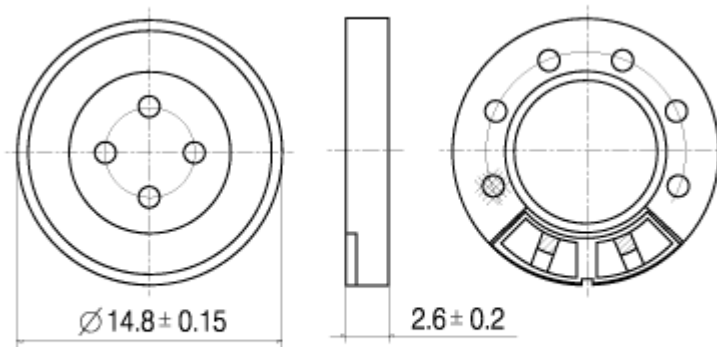




Type	BDR-8
DC Resistance( $\Omega$ )	$30 \pm 10\%$
AC Impedance( $\Omega$ )	$32 \pm 15\%$
Sensitivity(dB)	$92 \pm 2$ at 60mV
Frequency Range(Hz)	300~3400
THD	$\leq 5\%$
Operating Temperature( $^{\circ}\text{C}$ )	-20~+40
Weight(g)	1



Unit:mm

