

FEATURES

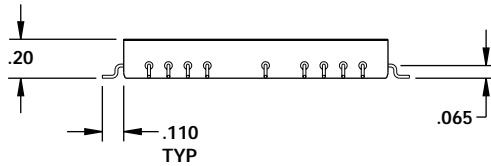
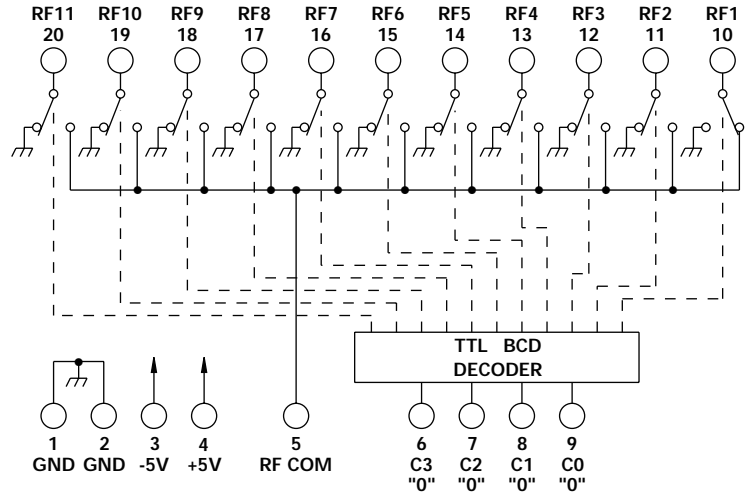
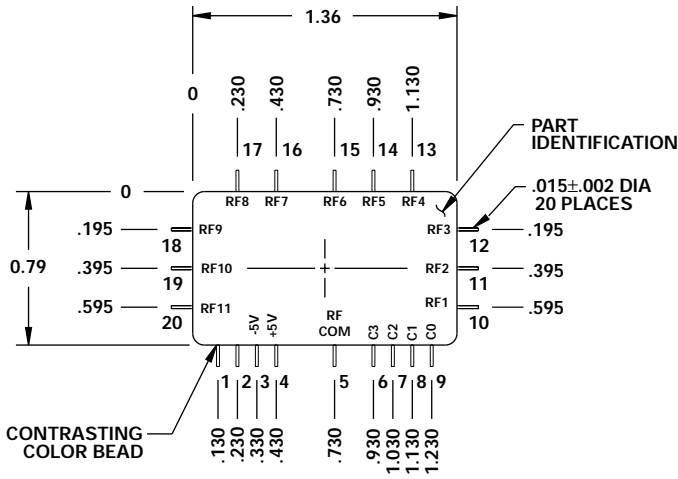
- 0.5 - 6 GHz
- 400 nSec Switching Speed
- Surface Mount



MODEL NO.
DSWM5077

Diode SP11T

SP11T



| LOGIC TABLE | | | | |
|-------------|----|----|----|--------------|
| C3 | C2 | C1 | C0 | RF COMMON TO |
| 0 | 0 | 0 | 0 | RF1 |
| 0 | 0 | 0 | 1 | RF2 |
| 0 | 0 | 1 | 0 | RF3 |
| 0 | 0 | 1 | 1 | RF4 |
| 0 | 1 | 0 | 0 | RF5 |
| 0 | 1 | 0 | 1 | RF6 |
| 0 | 1 | 1 | 0 | RF7 |
| 0 | 1 | 1 | 1 | RF8 |
| 1 | 0 | 0 | 0 | RF9 |
| 1 | 0 | 0 | 1 | RF10 |
| 1 | 0 | 1 | 0 | RF11 |

GUARANTEED PERFORMANCE

| Parameter | Min | Typ | Max | Units | Conditions |
|------------------------------|-------|-----------|-------|-------|---------------------------|
| Operating Frequency | 0.500 | | 6 | GHz | |
| DC Current | | 87 | 100 | mA | At +5 VDC Supply |
| | | 30 | 35 | mA | At -5 VDC Supply |
| Control Type | | TTL | | | 4 Line See Table |
| Control Current | | | ±10 | µA | V _{IH} = +2.7 V |
| | | | ±10 | µA | V _{IL} = +0.5 V |
| Isolation | 30 | 34 | | dB | |
| Insertion Loss | | 3.5 | 4.5 | dB | |
| VSWR | | 1.5/1 | 2.0/1 | | |
| Impedance | | 50 | | OHMS | |
| Switching Speed | | 300 | 400 | nSEC | 50% TTL to 90% / 10% RF |
| Transition (Rise/Fall) Time | | | | nSec | 90% / 10% or 10% / 90% RF |
| Switching (Video) Transients | | | | mV | Peak Value |
| Intercept Points | | | | dBm | |
| | | | | dBm | |
| RF Power | | +10 | +7 | dBm | (0.1 dB Compression) |
| | | No Damage | +23 | dBm | |
| Operating Temperature | -55 | +25 | +125 | °C | TA |