

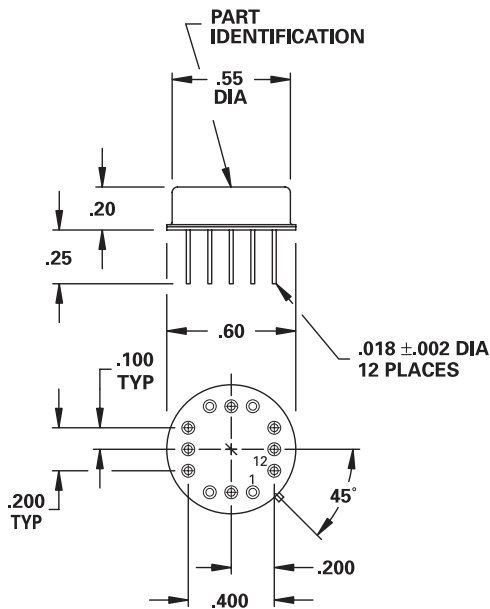
MODEL NUMBER DTD01999

Threshold Detector

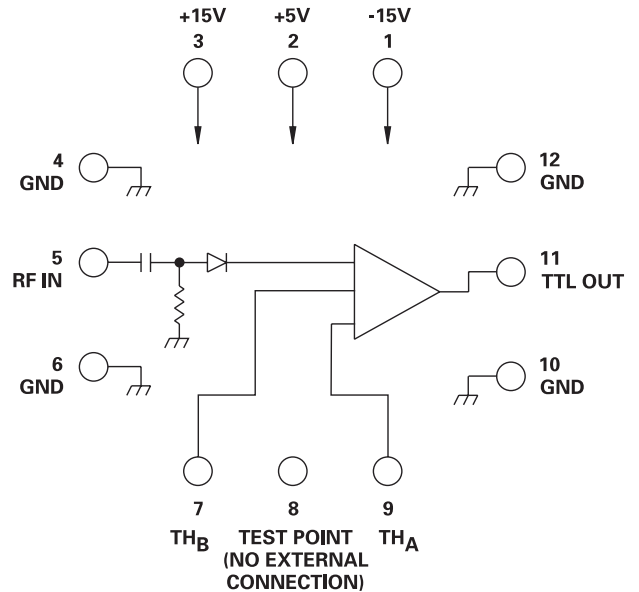
FEATURES

- 2-1000 MHz
- -25 to -10 dBm Dynamic Range
- Adjustable Threshold Level
- 0.8 dB Hysteresis
- 1 mA Sink/Source Current
- Stable Over Temperature
- 12 Pin TO-8 Package

TD



.xx = .02
.xxx = .010



GUARANTEED PERFORMANCE

Parameter	Min	Typ	Max	Units	Conditions
Operating Frequency	2		1000	MHz	
Dynamic Range	-25		-10	dBm	VIA an External Resistor Control
Hysteresis		0.8	1.2	dB	
Temperature Stability		±0.8	±1.5	dB	
Input Flatness		±0.3	±1.0	dB	
Switching Speed		6.7	26	µSec	Response Time for Input Change > 3 dB Above CW Threshold
Input VSWR		1.4/1	2/1		
Input Impedance		50			
Output Current:					
Source	1	4.6		mA	VOH = +2.7V
Sink	1	26		mA	VOL = +0.5V
DC Current		10.2	15	mA	At +5 VDC
		8.8	15	mA	At +15 VDC
		6.8	10	mA	At -15 VDC
Operating Temperature	-55	+25	+85	°C	TA