

## High Speed $\pm 100V$ 3.0A Ultrasound Pulser

### Features

- ▶ HVCMOS technology for high performance
- ▶ High density integration ultrasound transmitter
- ▶ Bipolar  $\pm 100V$  or unipolar 0 to 200V output voltage
- ▶  $\pm 3A$  source and sink peak current
- ▶ Up to 10MHz operation frequency
- ▶ Matched delay times
- ▶ 1.8V to 5.0V CMOS logic interface
- ▶ Over temperature sensing
- ▶ Under voltage protections

### General Description

The Supertex HV739 is a single channel monolithic 200V 3.0A high-speed pulser. It is designed for NDT and medical ultrasound applications. This high voltage and high-current integrated circuit can also be used for other piezoelectric, capacitive or MEMS sensor in ultrasonic transducer and sonar ranger applications.

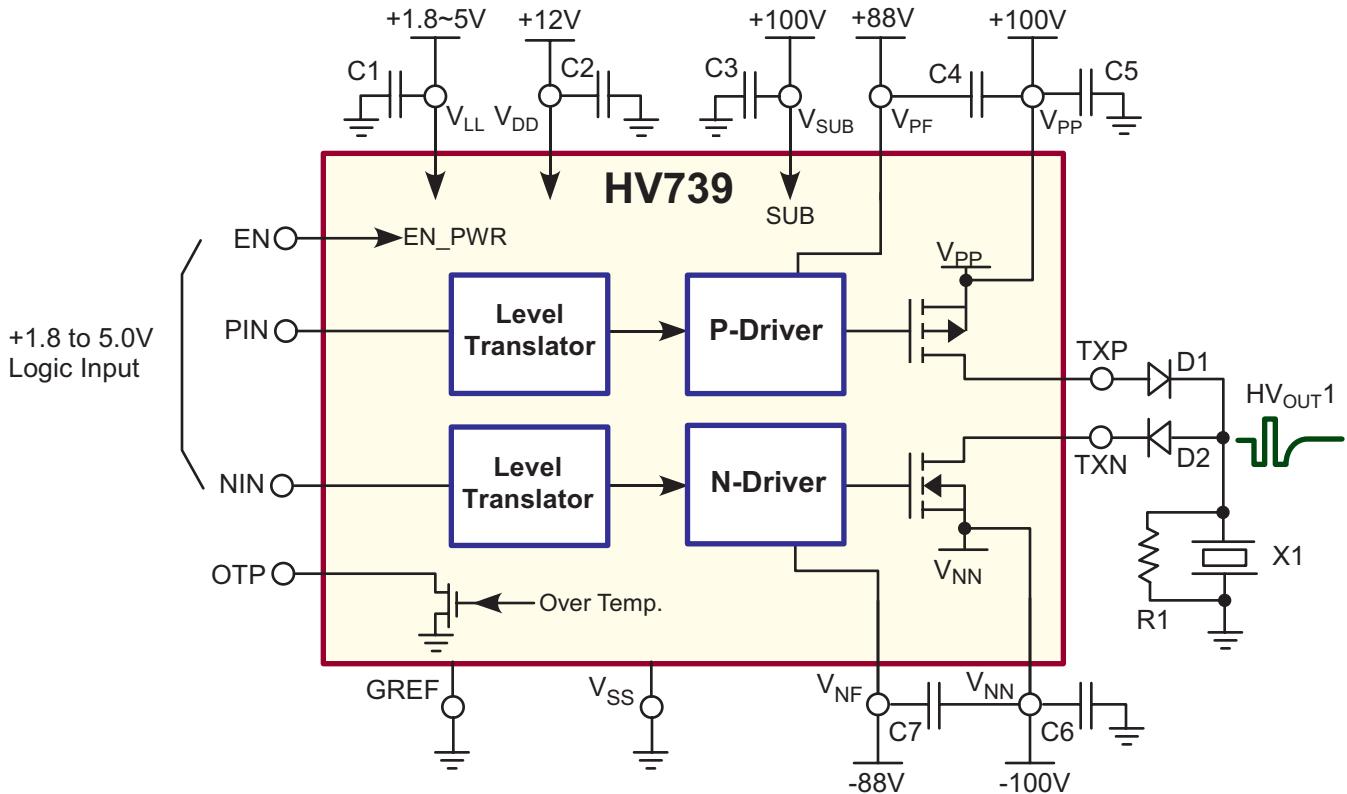
HV739 consists of controller logic interface circuit, voltage level translators, MOSFET gate drives and high current power P-channel and N-channel power MOSFETs as the output stage.

### Applications

- ▶ NDT ultrasound equipment
- ▶ Piezoelectric transducer drivers
- ▶ Sonar, ranger and flow metering

The output stage of HV739 is designed to provide output peak currents over 3.3A with up to 200V swing. The P- and N-channel power FETs gate drivers are supplied by two floating 10 to 12VDC power supplies referenced to  $V_{PP}$  and  $V_{NN}$ . This direct coupling topology of the gate drivers not only saves two high voltage capacitors per channel, but also makes the PCB layout easier.

### Typical Application Circuit



## Ordering Information

Device	Package Options
	32-Lead QFN 5x5mm body, 1.0mm height (max), 0.5mm pitch
HV739	HV739K6-G

-G indicates package is RoHS compliant ("Green")

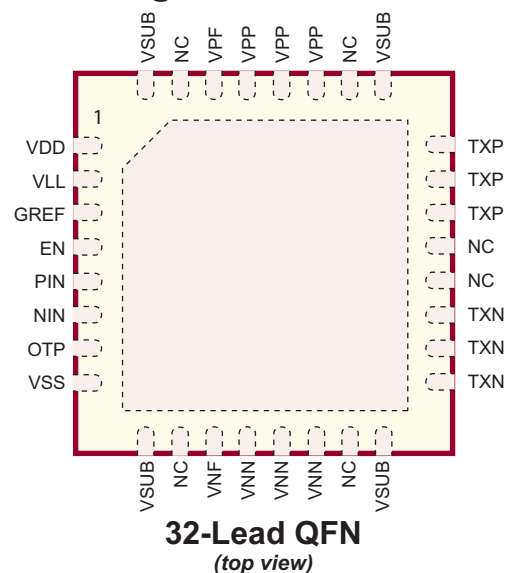


## Absolute Maximum Ratings

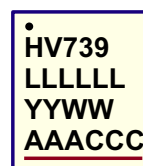
Parameter	Value
$V_{SS}$ , Power supply reference	0V
$V_{LL}$ , Positive logic supply	-0.5V to +7V
$V_{DD}$ , Positive logic and level translator supply	-0.5V to +14V
$(V_{PP} - V_{PF})$ Positive floating gate drive supply	-0.5V to +14V
$(V_{NF} - V_{NN})$ Negative gate floating drive supply	-0.5V to +14V
$(V_{PP} - V_{NN})$ Differential high voltage supply	-0.5V to +220V
$V_{PP}$ , High voltage positive supply	-0.5V to +220V
$V_{NN}$ , High voltage negative supply	-220V to +0.5V
All logic input PIN, NIN and EN pin voltages	-0.5V to +7V
Open drain output OPT pin voltage	-0.5V to +14V
$(V_{SUB} - V_{PP})$ Substrate to $V_{PP}$ voltage difference	+220V
$(V_{PP} - TXP_x)$ $V_{PP}$ to $TXP_x$ voltage difference	+220V
$(V_{SUB} - TXP_x)$ Substrate to $TXP_x$ voltage difference	+220V
$(TXN_x - V_{NN})$ $TXN_x$ to $V_{NN}$ voltage difference	+220V
Storage temperature	-65°C to 150°C
Thermal resistance, $\theta_{JA}$ (4-layer, 1oz, 4x3in. 9-via PCB)	25°C/W

Absolute Maximum Ratings are those values beyond which damage to the device may occur. Functional operation under these conditions is not implied. Continuous operation of the device at the absolute rating level may affect device reliability. All voltages are referenced to device ground.

## Pin Configuration



## Package Marking



L = Lot Number  
 YY = Year Sealed  
 WW = Week Sealed  
 A = Assembler ID  
 C = Country of Origin  
 — = "Green" Packaging

## 32-Lead QFN

## Power-Up Sequence

1	$V_{SUB}$
2	$V_{LL}$ with logic signal low
3	$V_{DD}$
4	$V_{PF}$ and $V_{NF}$
5	$V_{PP}$ and $V_{NN}$
6	Logic control signals

## Power-Down Sequence

1	All logic signals go to low
2	$V_{PP}$ and $V_{NN}$
3	$V_{PF}$ and $V_{NF}$
4	$V_{DD}$
5	$V_{LL}$
6	$V_{SUB}$

## Operating Supply Voltages and Current (4 Channel Active)

(Operating conditions, unless otherwise specified,  $V_{SS} = 0V, V_{LL} = +3.3V, V_{DD} = +12V, V_{PP}-V_{PF} = +12V, V_{NN}-V_{NF} = -12V, V_{PP} = +100V, V_{NN} = -100V, T_A = 25^\circ C$ )

Sym	Parameter	Min	Typ	Max	Units	Conditions
$V_{LL}$	Logic voltage reference	1.8	3.3	5.0	V	---
$V_{DD}$	Internal voltage supply	10	12	12.5	V	---
$V_{PF}$	Positive gate driver supply	$(V_{PP}-12)$	-	$(V_{PP}-10)$	V	Floating driver voltage supplies.
$V_{NF}$	Negative gate drive supply	$(V_{NN}+10)$	-	$(V_{NN}+12)$	V	
$V_{SUB}$	IC substrate voltage	$V_{DD}$	$V_{PP}$	+220	V	Must connect to the most positive potential of the IC.
$V_{PP}$	Positive HV supply	0	-	+220	V	---
$V_{NN}$	Negative HV supply	-220	-	0	V	---
$I_{LL}$	$V_{LL}$ Current EN = Low	-	-	250	$\mu A$	---
$I_{DDQ}$	$V_{DD}$ Current EN = Low	-	100	-	$\mu A$	---
$I_{DDEN}$	$V_{DD}$ Current EN = High	0.1	0.3	0.7	mA	f = 0MHz
	$V_{DD}$ Current at 5.0MHz	-	0.5	-	mA	f = 5.0MHz, no loads
$I_{PPQ}$	$V_{PP}$ Current EN = Low	-	1.0	5.0	$\mu A$	---
$I_{PPEN}$	$V_{PP}$ Current at 5.0MHz	-	5.6	-	mA	f = 5.0MHz, no loads
$I_{NNQ}$	$V_{NN}$ Current EN = Low	-	1.0	5.0	$\mu A$	---
$I_{NNEN}$	$V_{NN}$ Current at 5.0MHz	-	5.6	-	mA	f = 5.0MHz, no loads
$I_{PFQ}$	$V_{PF}$ Current EN = Low	-	10	20	$\mu A$	---
$I_{PFEN}$	$V_{PF}$ Current at 5.0MHz	-	12.2	-	mA	f = 5.0MHz, no loads
$I_{NFQ}$	$V_{NF}$ Current EN = Low	-	10	20	$\mu A$	---
$I_{NFEN}$	$V_{NF}$ Current at 5.0MHz	-	6.4	-	mA	f = 5.0MHz, no loads

## DC Electrical Characteristics

(Operating conditions, unless otherwise specified,  $V_{SS} = 0V, V_{LL} = +3.3V, V_{DD} = +12V, V_{PP}-V_{PF} = +12V, V_{NN}-V_{NF} = -12V, V_{PP} = +100V, V_{NN} = -100V, T_A = 25^\circ C$ )

### Output P-Channel MOSFET, TXP

Sym	Parameter	Min	Typ	Max	Units	Conditions
$I_{OUT}$	Output saturation current	3.0	3.3	-	A	1.0 $\Omega$ load to ground, $V_{DS} = 12V$
$R_{ON}$	Channel resistance	-	6.9	-	$\Omega$	$I_{SD} = 500mA$
$C_{OSS}$	Output capacitance	-	87	-	pF	$V_{DS} = 25V, f = 1.0MHz$

### Output N-Channel MOSFET, TXN

Sym	Parameter	Min	Typ	Max	Units	Conditions
$I_{OUT}$	Output saturation current	3.0	3.3	-	A	1.0 $\Omega$ load to ground, $V_{DS} = 12V$
$R_{ON}$	Channel resistance	-	7.0	-	$\Omega$	$I_{SD} = 500mA$
$C_{OSS}$	Output capacitance	-	87	-	pF	$V_{DS} = 25V, f = 1.0MHz$

## Logic Inputs

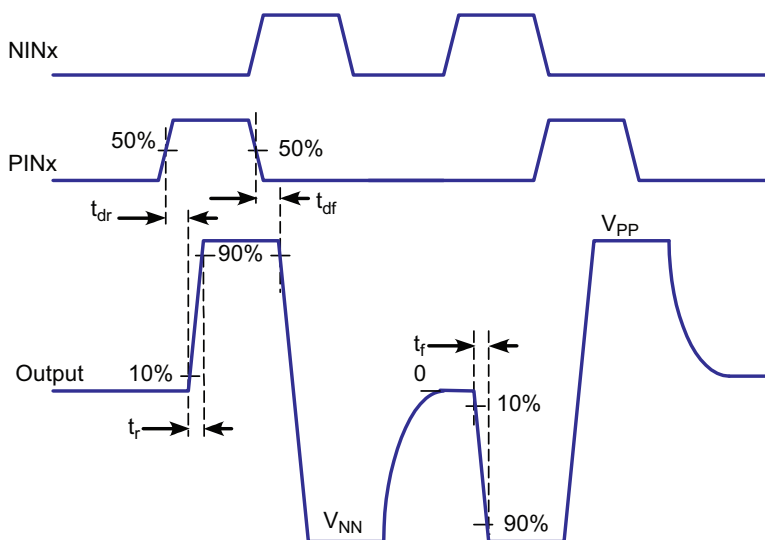
Sym	Parameter	Min	Typ	Max	Units	Conditions
$V_{IH}$	Input logic high voltage	0.8 $V_{LL}$	-	$V_{LL}$	V	---
$V_{IL}$	Input logic low voltage	0	-	0.2 $V_{LL}$	V	---
$I_{IH}$	Input logic high current	-	-	10	$\mu A$	---
$I_{IL}$	Input logic low current	-10	-	-	$\mu A$	---
$C_{IN}$	Input logic capacitance	-	-	5.0	pF	---

## AC Electrical Characteristics

(Operating conditions, unless otherwise specified,  $V_{SS} = 0V$ ,  $V_{LL} = +3.3V$ ,  $V_{DD} = +12V$ ,  $V_{PP} - V_{PF} = +12V$ ,  $V_{NN} - V_{NF} = -12V$ ,  $V_{PP} = +100V$ ,  $V_{NN} = -100V$ ,  $T_A = 25^\circ C$ )

Sym	Parameter	Min	Typ	Max	Units	Conditions
$f_{OUT}$	Output frequency range	-	-	35	MHz	100Ω resistor load
HD2	Second harmonic distortion	-	-35	-	dB	
$t_{EN}$	Power enable time	-	70	250	μs	
$t_{DIS}$	Power disable time	-	1.0	10	μs	
$t_{drp}$	Delay time on rise time P-ch	-	15	35	ns	
$t_{dfp}$	Delay time on fall time P-ch	-	15	35	ns	
$t_{drn}$	Delay time on rise time N-ch	-	18	35	ns	
$t_{dfn}$	Delay time on fall time N-ch	-	18	35	ns	220pF//1.0kΩ load
$t_r$	Output rise time	-	50	65	ns	
$t_f$	Output fall time	-	50	65	ns	

## Switching Time Diagram

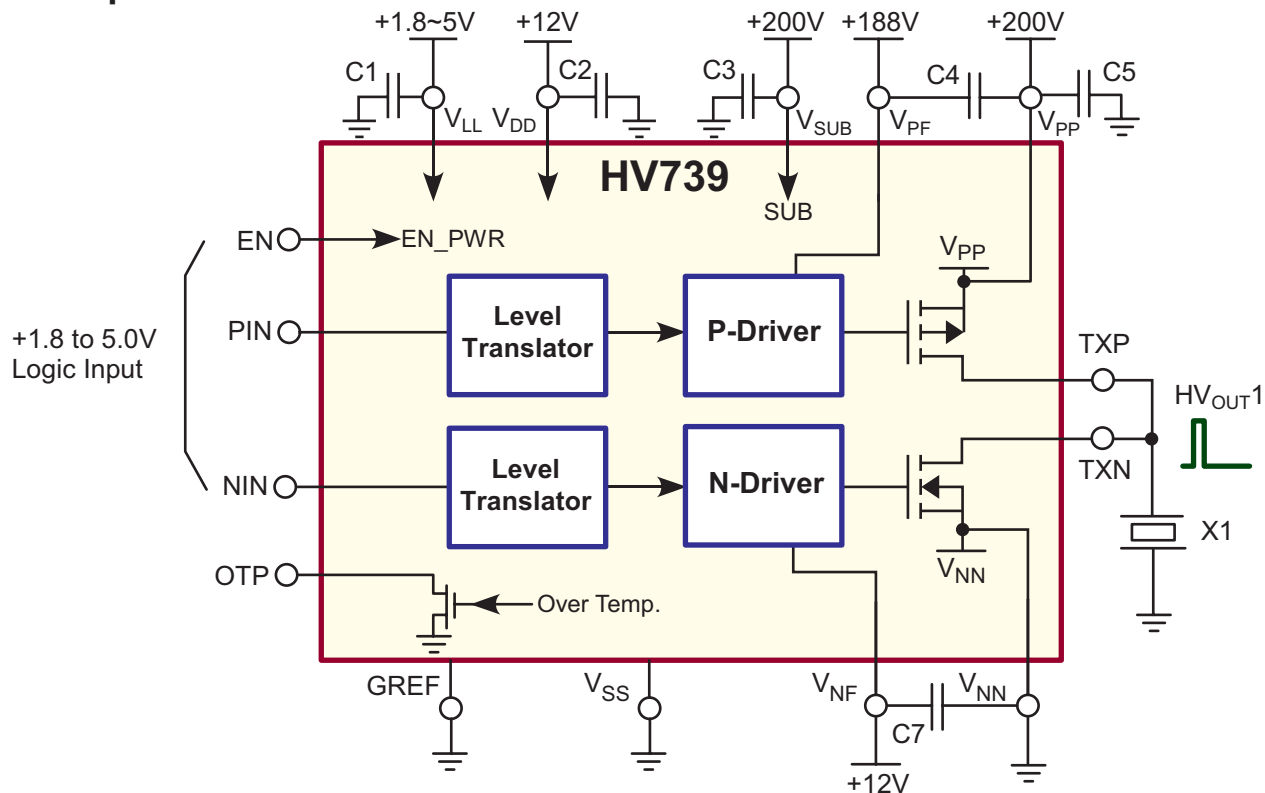


## Truth Table

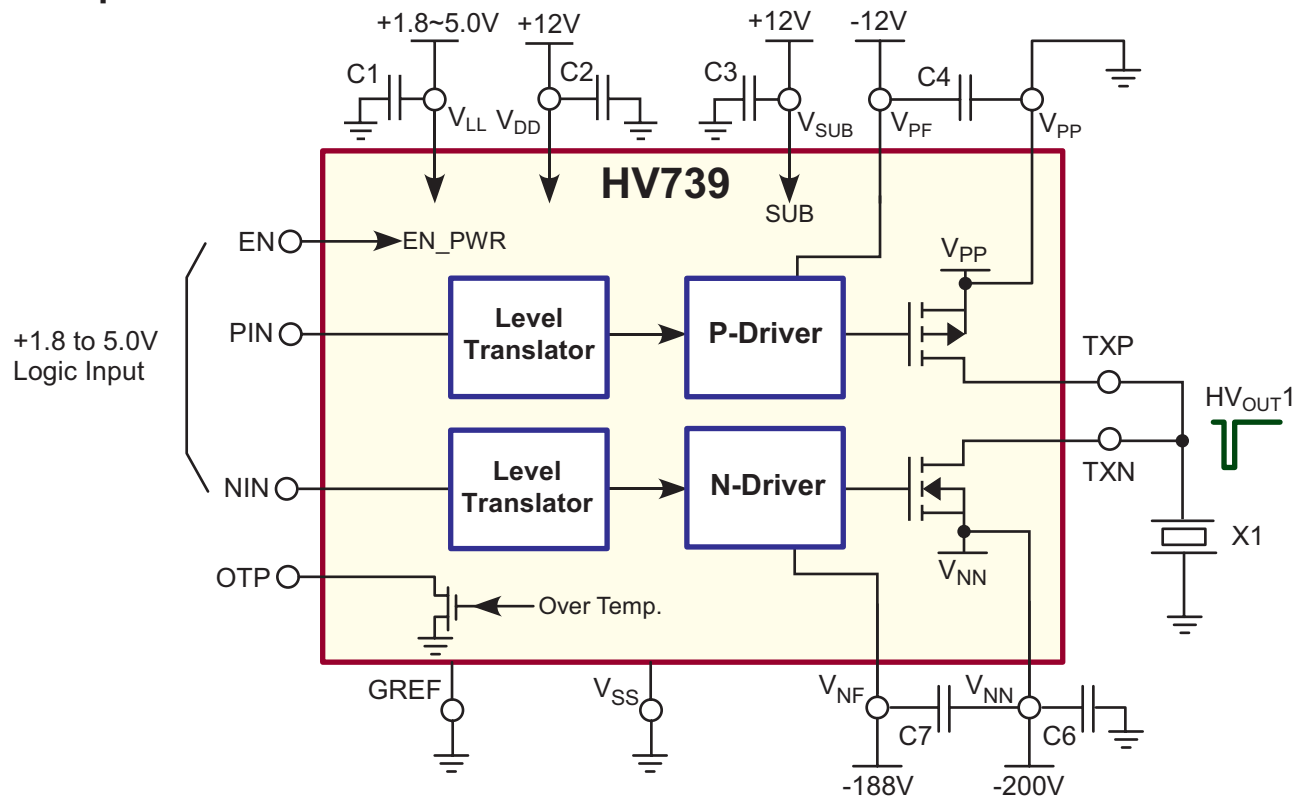
Logic Inputs			Output	
EN	PIN	NIN	TXP	TXN
1	0	0	OFF	OFF
1	1	0	ON	OFF
1	0	1	OFF	ON
1	1	1	ON*	ON*
0	X	X	OFF	OFF

\*Note: Not allowed, may damage IC

## +200V Unipolar Pulser



## -200V Unipolar Pulser

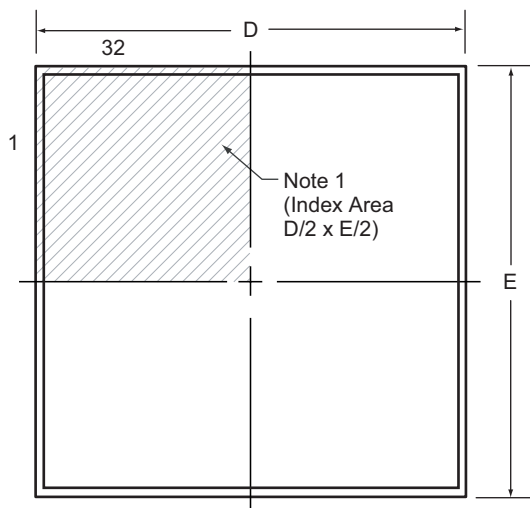


## Pin Description

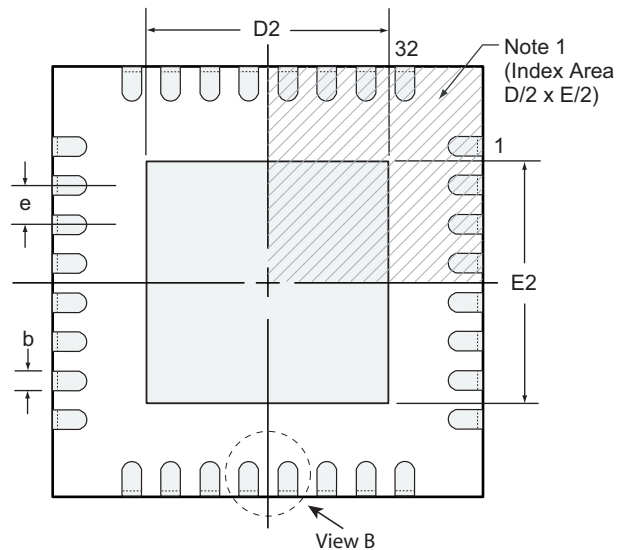
Name	Function
$V_{SS}$	Power supply return (0V)
$V_{DD}$	Positive internal voltage supply (+12V).
$V_{LL}$	Logic voltage high reference input (+3.3V).
GREF	Logic voltage low reference. Logic ground (0V).
$V_{PP}$	Positive high voltage power supply (+100V).
$V_{NN}$	Negative high voltage power supply (-100V).
$V_{PF}$	P-FET gate driver floating power supply, $(V_{PP} - V_{PF}) = +12V$ .
$V_{NF}$	N-FET gate driver floating power supply, $(V_{NF} - V_{NN}) = +12V$ .
TXP	Output P-FET drain (open drain output).
TXN	Output N-FET drain (open drain output).
PIN	Input logic control of high voltage output P-FET, Hi = on, Low = off.
NIN	Input logic control of high voltage output N-FET, Hi = on, Low = off.
EN	Chip power enable Hi = on, Low=off.
OTP	Open drain output for over temperature protection, Low = over temp.
NC	No connection
$V_{SUB}$ (Pad)	Substrate is internally connected to the central thermal pad on the bottom of package. It must be connected to the most positive potential of the IC externally.

# 32-Lead QFN Package Outline (K6)

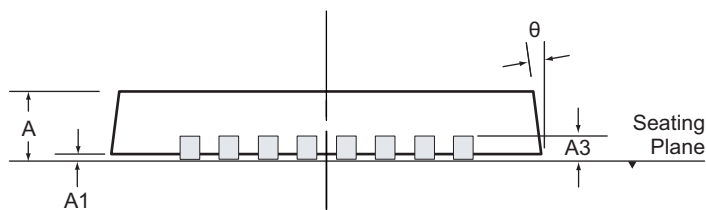
5x5mm body, 1.0mm height (max), 0.50mm pitch



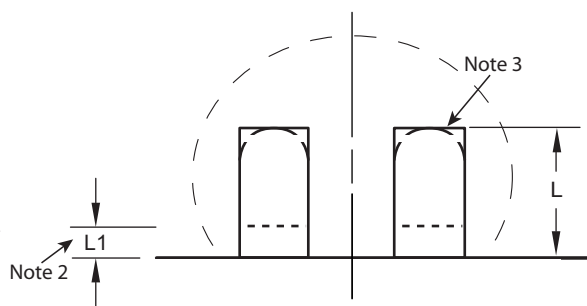
**Top View**



**Bottom View**



**Side View**



**View B**

**Notes:**

1. Details of Pin 1 identifier are optional, but must be located within the indicated area. The Pin 1 identifier may be either a mold, or an embedded metal or marked feature.
2. Depending on the method of manufacturing, a maximum of 0.15mm pullback (L1) may be present.
3. The inner tip of the lead may be either rounded or square.

Symbol	A	A1	A3	b	D	D2	E	E2	e	L	L1	θ	
Dimension (mm)	MIN	0.80	0.00	0.20 REF	0.18	4.85	3.20	4.85	3.20	0.50 BSC	0.30	0.00	0°
	NOM	0.90	0.02		0.25	5.00	-	5.00	-		0.40	-	-
	MAX	1.00	0.05		0.30	5.15	3.70	5.15	3.70		0.50	0.15	14°

JEDEC Registration MO-220, Variation VHHD-5, Issue K, June 2006.

Drawings not to scale.

(The package drawing(s) in this data sheet may not reflect the most current specifications. For the latest package outline information go to <http://www.supertex.com/packaging.html>.)

**Supertex inc.** does not recommend the use of its products in life support applications, and will not knowingly sell its products for use in such applications, unless it receives an adequate "product liability indemnification insurance agreement". **Supertex** does not assume responsibility for use of devices described and limits its liability to the replacement of the devices determined defective due to workmanship. No responsibility is assumed for possible omissions or inaccuracies. Circuitry and specifications are subject to change without notice. For the latest product specifications, refer to the **Supertex** website: <http://www.supertex.com>.

©2007 **Supertex inc.** All rights reserved. Unauthorized use or reproduction is prohibited.

**Supertex inc.**

1235 Bordeaux Drive, Sunnyvale, CA 94089  
 TEL: (408) 222-8888 / FAX: (408) 222-4895

[www.supertex.com](http://www.supertex.com)