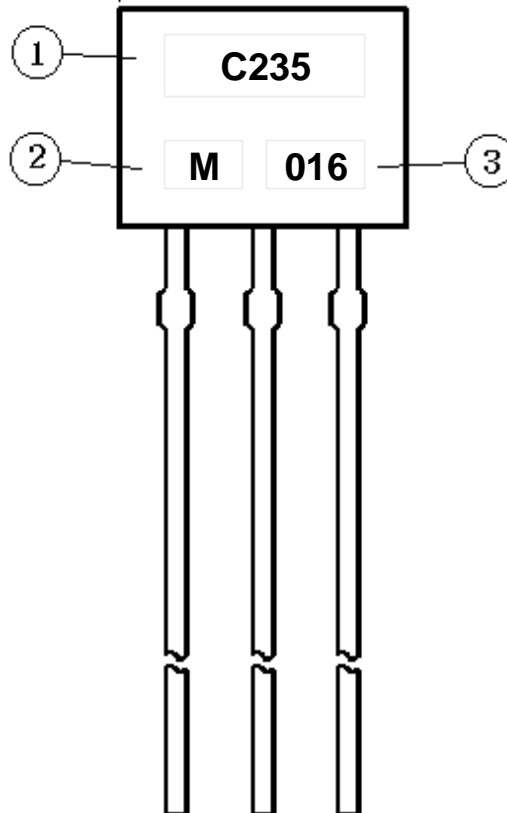


1. Marking method

Laser Marking

2. Marking



No.	Item	Marking	Description		
1	Device Name	C235	KRC235M		
2		M			
3	Lot No.	016	0	Year	0 ~ 9 : 2000~2001
			16	Week	16 : 16th Week