

Monolithic crystal filter

MQF21.4-0730/05



Application

- 10 pol filter
- i.f.- filter
- use in mobile and stationary transceivers

Limiting values

		Unit	Value
Nominal frequency	f_0	Mhz	21.4
Centre frequency	f_c	MHz	21.4 ± 600 Hz
Insertion loss		dB	≤ 7.0
Pass band at 6.0 dB		kHz	± 3.67
Ripple in pass band	$f_c \pm 2.50$ kHz	dB	≤ 2.0
Stop band attenuation	$f_c \pm 6.47$ kHz	dB	≥ 60
	$f_0 \pm 10$ kHz	dB	> 80
Alternate attenuation		dB	> 80
Spurious response	$f_0 \pm <35$ kHz	dB	< 90

Terminating impedance Z

R1 C1		Ohm/pF	800 6.5
R2 C2		Ohm/pF	800 6.5
Coupling capacitance	Ck1/Ck2/Ck3/Ck4	pF	16.5/17.7/17.7/16.5

Operating temp. range

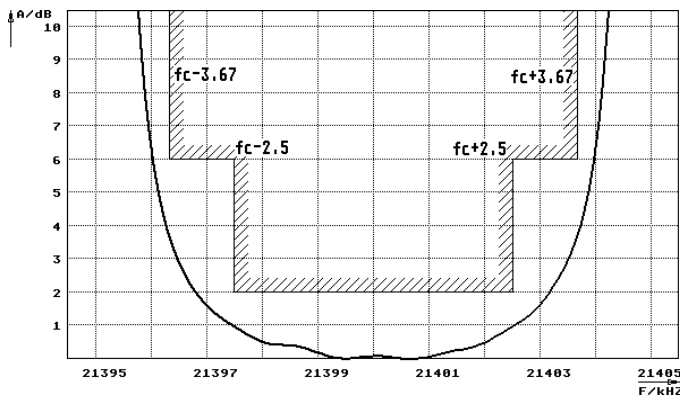
° C -40... +85

Storage temperature

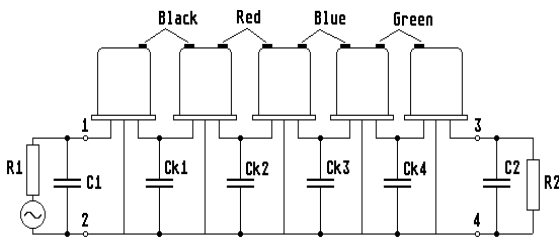
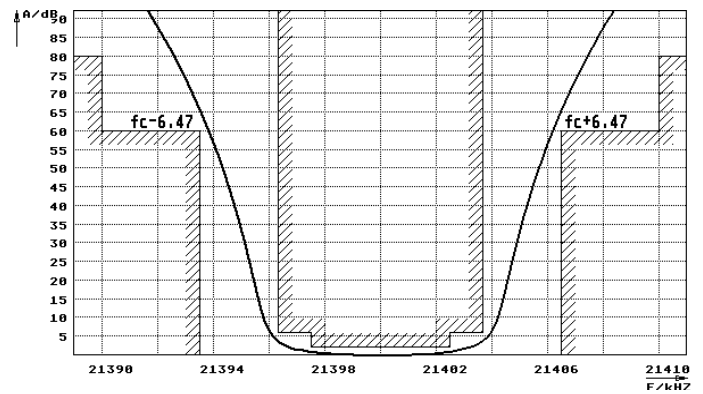
° C -40... +125

Characteristics MQF21.4-0730/05

Pass band



Stop band



Pin connections: 1 Input
2 Input-E
3 Output
4 Output-E

