

# Monolithic crystal filter

## MQF21.4-1500/02



### Application

- 4 pol filter
- i.f.- filter
- use in mobile and stationary transceivers

### Limiting values

		Unit	Value
Center frequency	$f_0$	MHz	21.4
Insertion loss		dB	$\leq 2.0$
Pass band at 3.0 dB		kHz	$\pm 7.5$
Ripple in pass band	$f_0 \pm 5.0$ kHz	dB	$\leq 1.0$
Stop band attenuation	$f_0 \pm 25$ kHz	dB	$\geq 40$
Alternate attenuation		dB	$> 65$

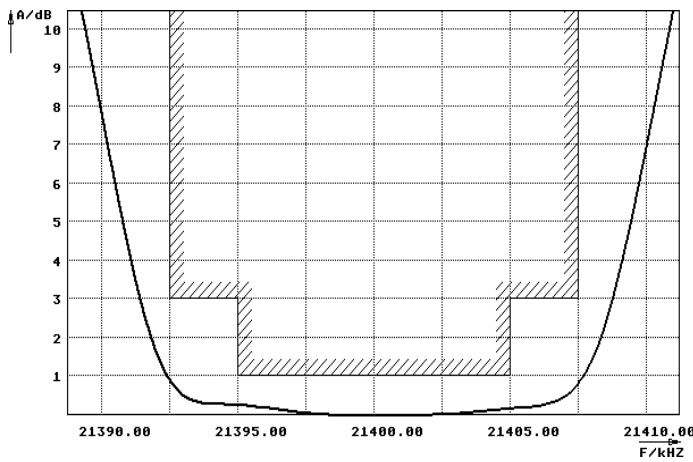
### Terminating impedance Z

R1    C1		Ohm/pF	1500    2
R2    C2		Ohm/pF	1500    2
Coupling capacitance	Ck	pF	8

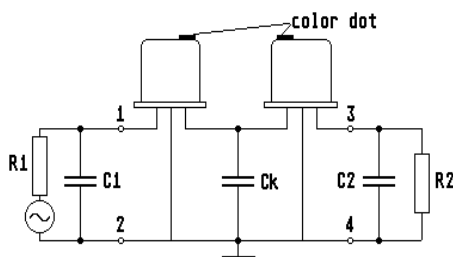
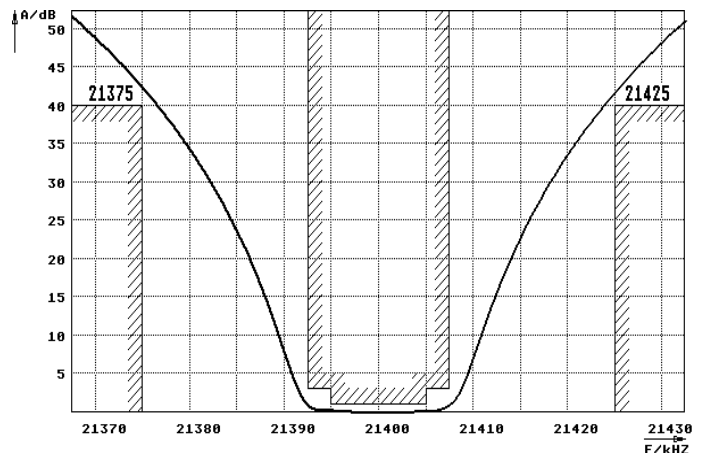
Operating temp. range		°C	-20... +70
-----------------------	--	----	------------

### Characteristics

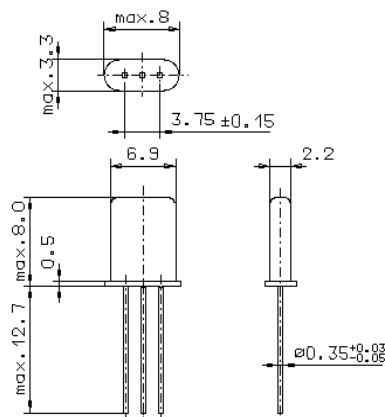
#### Pass band



#### Stop band



Pin connections: 1 Input  
2 Input-E  
3 Output  
4 Output-E



GH9