

SMD Schottky Barrier Diode



RB521G30-G (RoHS Device)

Reverse Voltage: 30 Volts

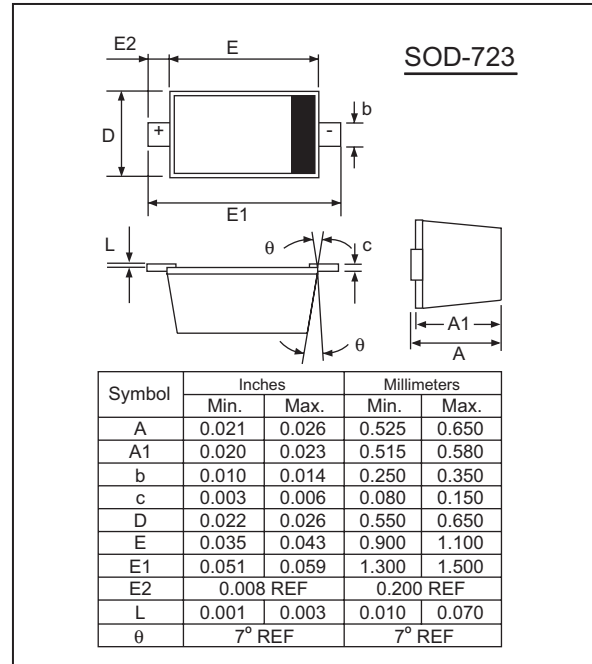
Forward Current: 100 mA

Features:

- Small Surface Mounting Type
- High Reliability

Mechanical Data:

- Case: Molded plastic SOD-723
- Terminals: Solderable per MIL-STD-750, Method 2026.1.
- Polarity: Indicated by cathode band.
- Mounting position: Any.
- Marking: F



Maximum Ratings (at $T_A=25^\circ\text{C}$ unless otherwise specified)

| Parameter | Symbol | Limits | Unit |
|----------------------------|-----------|----------|------------------|
| DC reverse voltage | V_R | 30 | V |
| Mean rectifying current | I_o | 100 | mA |
| Peak forward surge current | I_{FSM} | 1 | A |
| Junction temperature | T_J | 125 | $^\circ\text{C}$ |
| Storage temperature | T_{stg} | -40~+125 | $^\circ\text{C}$ |

Electrical Ratings (at $T_A=25^\circ\text{C}$ unless otherwise specified)

| Parameter | Symbol | Min. | Typ. | Max. | Unit | Conditions |
|-----------------|--------|------|------|------|---------------|-------------------|
| Forward voltage | V_F | | | 0.35 | V | $I_F=10\text{mA}$ |
| Reverse current | I_R | | | 10 | μA | $V_R=10\text{V}$ |



RB521G30-G (RoHS Device)

Electrical Characteristic Curves (RB521G30-G)

Fig. 1 Forward Characteristics

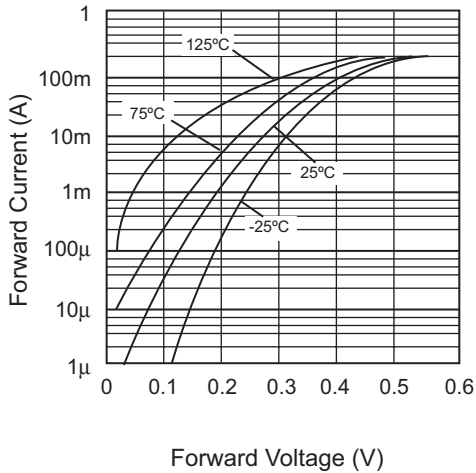


Fig. 2 Reverse Characteristics

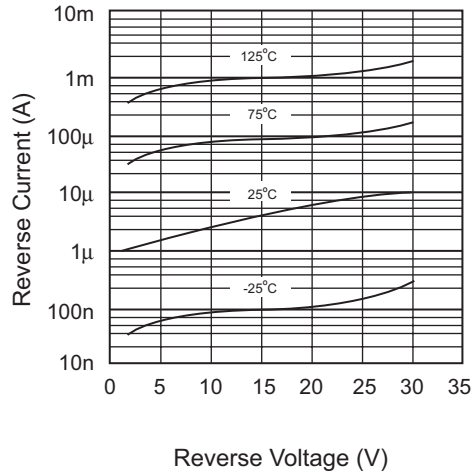


Fig. 3 Capacitance between Characteristics

