



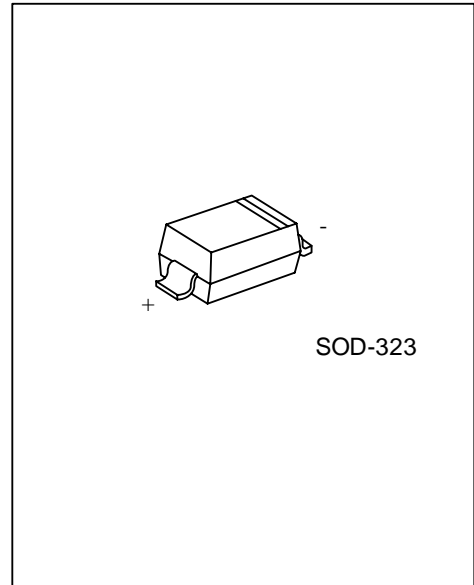
# RB751V40

**DIODE**

## SCHOTTKY DIODES

### ■ FEATURES

- \* Miniature surface mounting type
- \* Low forward voltage drop ( $V_F=0.37V$  Typ. at 1mA)
- \* Low reverse leakage current
- \* Fast switching speed



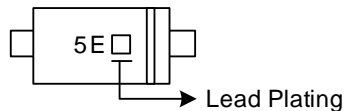
\*Pb-free plating product number: RB751V40L

### ■ ORDERING INFORMATION

Order Number		Package	Packing
Normal	Lead Free Plating		
RB751V40-CB2-R	RB751V40L-CB2-R	SOD-323	Tape Reel

<p>RB751V40L-CB2-R</p> <p>(1)Packing Type (2)Package Type (3)Lead Plating</p>	<p>(1) R: Tape Reel (2) CB2: SOD-323 (3) L: Lead Free Plating Blank: Pb/Sn</p>
---	--

### ■ MARKING



■ ABSOLUTE MAXIMUM RATINGS (Single Diode @T<sub>A</sub>=25 )

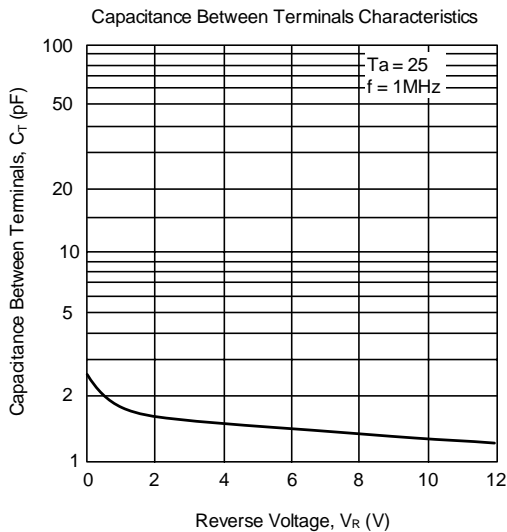
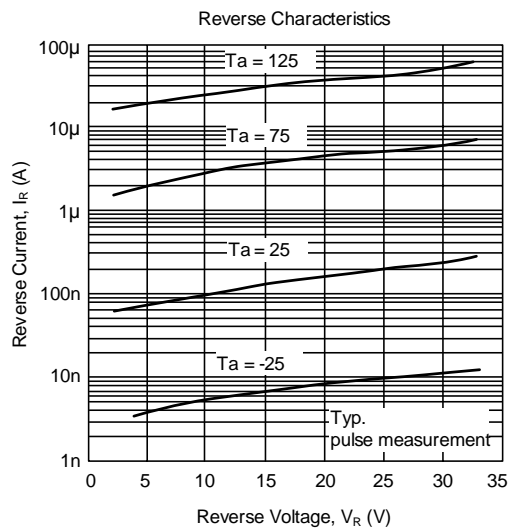
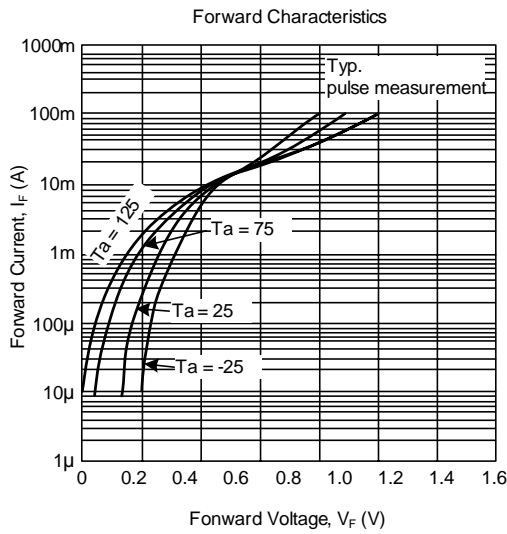
PARAMETER	SYMBOL	RATINGS	UNIT
Peak Reverse Voltage	V <sub>RM</sub>	40	V
Maximum Reverse Voltage (DC)	V <sub>R</sub>	30	V
Mean Rectifying Current	I <sub>OUT</sub>	30	mA
Non-repetitive Peak Forward Surge Current	I <sub>FSM</sub>	200	mA
Junction Temperature	T <sub>J</sub>	+125	
Storage Temperature	T <sub>STG</sub>	-40 ~ +125	

Note: Absolute maximum ratings are those values beyond which the device could be permanently damaged.  
 Absolute maximum ratings are stress ratings only and functional device operation is not implied.

■ ELECTRICAL CHARACTERISTICS (T<sub>A</sub>=25 , unless otherwise specified)

PARAMETER	SYMBOL	TEST CONDITIONS	MIN	TYP	MAX	UNIT
Forward Voltage	V <sub>F</sub>	I <sub>F</sub> = 1mA			0.37	V
Reverse Leakage Current	I <sub>R</sub>	V <sub>R</sub> =30V			0.5	μA
Capacitance Between Terminals	C <sub>T</sub>	V <sub>R</sub> =1V, f=1MHz		2		pF

## ■ TYPICAL CHARACTERISTICS



UTC assumes no responsibility for equipment failures that result from using products at values that exceed, even momentarily, rated values (such as maximum ratings, operating condition ranges, or other parameters) listed in products specifications of any and all UTC products described or contained herein. UTC products are not designed for use in life support appliances, devices or systems where malfunction of these products can be reasonably expected to result in personal injury. Reproduction in whole or in part is prohibited without the prior written consent of the copyright owner. The information presented in this document does not form part of any quotation or contract, is believed to be accurate and reliable and may be changed without notice.