



RJ-45 MODULAR JACK FOR FAST ETHERNET 100BASE-TX 2x6 PORT

Networking Components

FEATURES

- **COST SAVING**
 - REDUCE PCB SPACE
 - SAVE INVENTORY AND ASSEMBLY COST
- **IMPROVE EMI PERFORMANCE**
 - REDUCE THE OVERALL LENGTH OF SIGNAL PATH ON PCB AND LOWER NOISE LEVEL
- **INTEGRATED HIGH VOLTAGE CAPACITOR TO CHASSIS GROUND**
- **MEET IEEE 802.3 STANDARDS AND FCC MECHANICAL REQUIREMENTS**

(EX.) **RJS-12AA08T089H**

A B C * D E F G H

A: 100 BASE-TX
B: NUMBER OF PORT
 12=12 PORTS

C: CIRCUIT TYPE
 A~..... (SEE CIRCUIT SCHEMATICS)

***: TURNS RATIO (TX/RX)**
 A=1:1 / 1:1 E=1:1.25 / 1:1
 B=1:1.414 / 1:1 F=1.414:1 / 1:1
 C=1:2 / 1:1 G=1.25:1 / 1:1
 D=2:1 / 1:1

D: CONNECTOR OUTPUT PIN NUMBER
E: T=THROUGH HOLE
S=SURFACE MOUNT

F: CONNECTOR INPUT PIN NUMBER
G: CONTACT PLATING
 OPTIONAL GOLD PLATING
 9=30u" ON CONTACT AREA

H: MECHANICAL & CONSTRUCTIONS TYPES

ELECTRICAL CHARACTERISTICS @25°C

Model	Insertion Loss	Return Loss			Cross Talk	CMRR	Turns Ratio
	TX/RX (dB Max)	TX/RX (dB Min)			TX/RX (dB Min)	TX/RX (dB Min)	TX/RX (±5%)
	1~100 MHz	1~30	30~60	60~80	1~100 MHz	1~100 MHz	
RJS-12A08T109A	1.0 / 1.0	20 / 20	15 / 17	11 / 15	30	30	1:1 / 1:1
RJS-12AA08T089H	1.0 / 1.0	20 / 20	12 / 12	10 / 10	30	30	1:1 / 1:1

DELTA ELECTRONICS, INC.

(TAOYUAN PLANT CPBG) 252, SAN YING ROAD, KUEI SAN INDUSTRIAL ZONE, TAOYUAN SHIEN, TAIWAN, R.O.C.
 TEL: 886-3-3591968; FAX: 886-3-3591991
[Http://www.delta.com/products/networking](http://www.delta.com/products/networking)

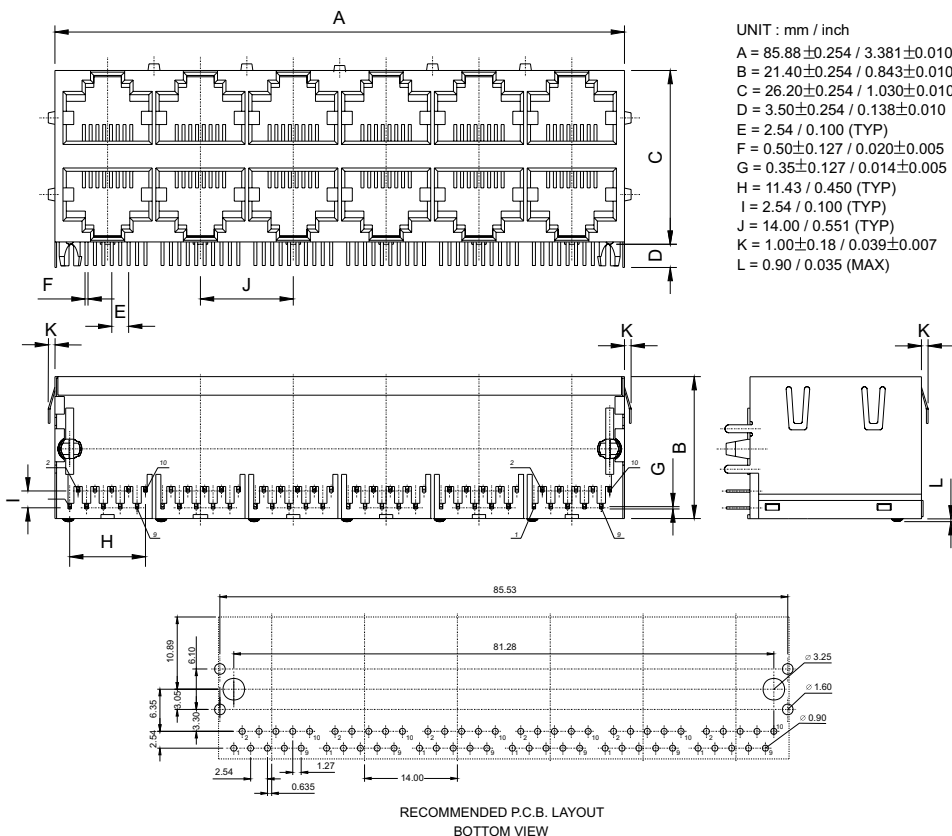
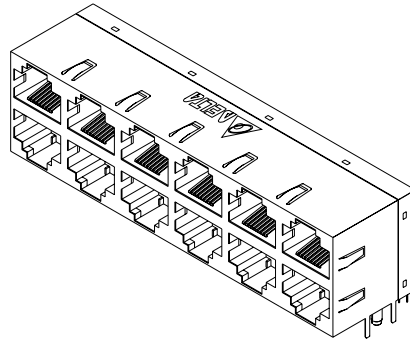


RJ-45 MODULAR JACK FOR FAST ETHERNET 100BASE-TX 2x6 (TYPE A)

Networking Components

MECHANICAL CONSTRUCTION

RJS-12A08T109A



DELTA ELECTRONICS, INC.

(TAOYUAN PLANT CPBG) 252, SAN YING ROAD, KUEI SAN INDUSTRIAL ZONE, TAOYUAN SHIEN, TAIWAN, R.O.C.

TEL: 886-3-3591968; FAX: 886-3-3591991

[Http://www.delta.com/products/networking](http://www.delta.com/products/networking)

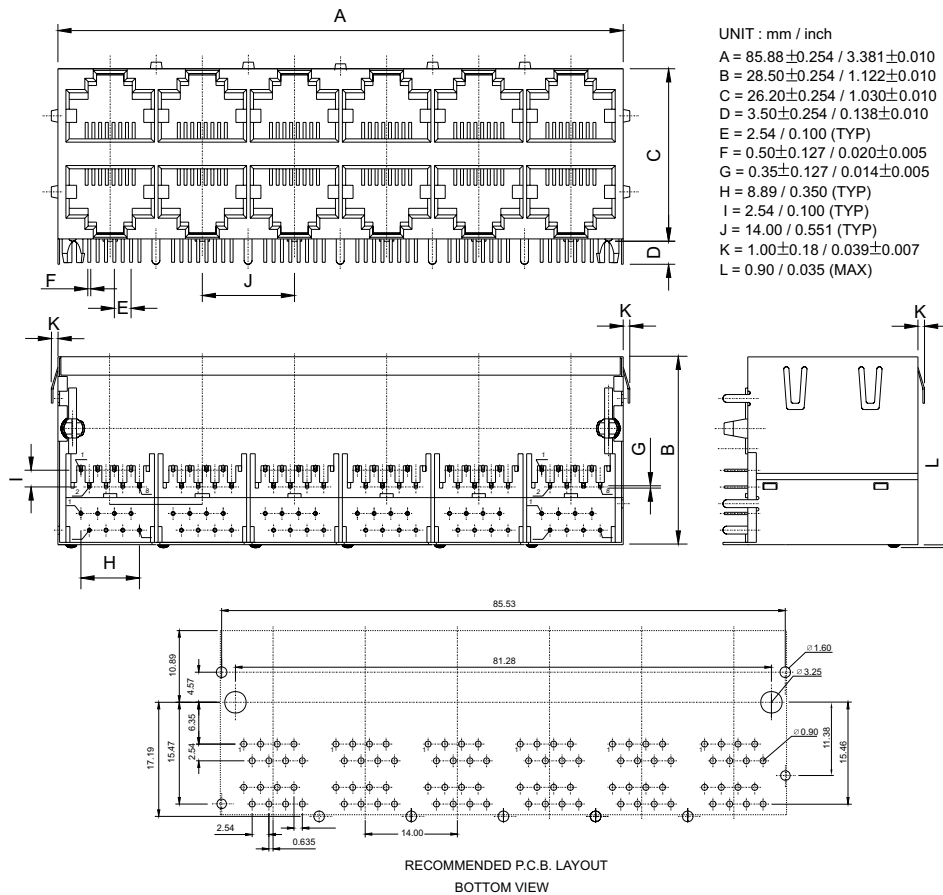
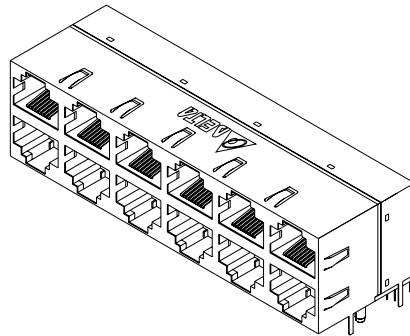


RJ-45 MODULAR JACK FOR FAST ETHERNET 100BASE-TX 2x6 (TYPE H)

Networking Components

MECHANICAL CONSTRUCTION

RJS-12AA08T089H



DELTA ELECTRONICS, INC.

(TAOYUAN PLANT CPBG) 252, SAN YING ROAD, KUEI SAN INDUSTRIAL ZONE, TAOYUAN SHIEN, TAIWAN, R.O.C.

TEL: 886-3-3591968; FAX: 886-3-3591991

[Http://www.delta.com/products/networking](http://www.delta.com/products/networking)

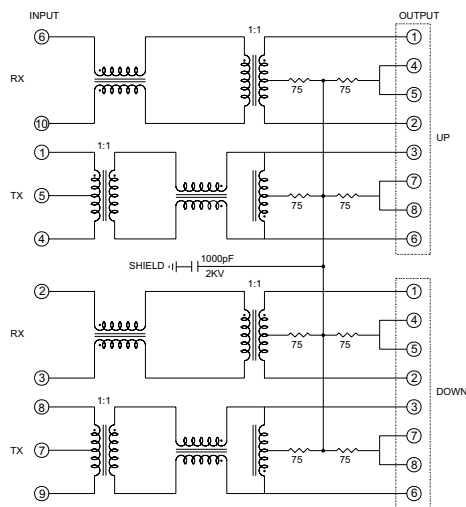


RJ-45 MODULAR JACK FOR FAST ETHERNET 100BASE-TX 2x6 PORT

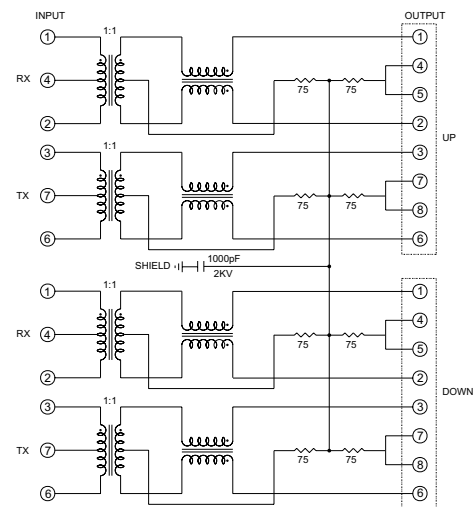
Networking Components

SCHEMATICS

RJS-12A08T109A



RJS-12AA08T089H



DELTA ELECTRONICS, INC.

(TAOYUAN PLANT CPBG) 252, SAN YING ROAD, KUEI SAN INDUSTRIAL ZONE, TAOYUAN SHIEN, TAIWAN, R.O.C.

TEL: 886-3-3591968; FAX: 886-3-3591991

[Http://www.delta.com/products/networking](http://www.delta.com/products/networking)