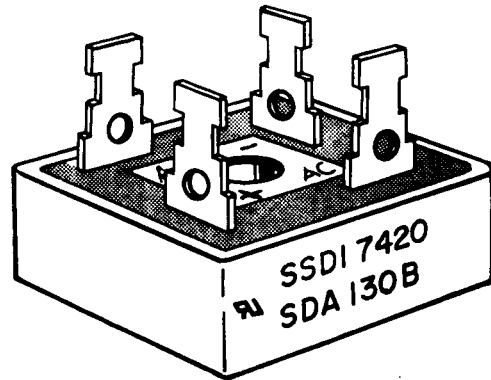


X00094

SSDI Bridge Rectifier Assembly

SINGLE PHASE 25 AMPS SDA 130 SERIES



- Average Output Current 25 Amps
- PIV 50 to 1000 Volts
- Max. Thermal Resistance 1.5°C/Watt*
- All Welded Interconnects
- Hermetically Sealed Diode Cells
- Universal 3 Way Terminals
- Aluminum Case

SSDI introduces a new and complete line of Single Phase, Rectifier Bridge Assemblies. Designed in aluminum cases to provide maximum thermal conductivity and simple operation. A unique 3 way terminal provides the designer a choice of using Faston terminals, wire wrap or soldering hole. This series features SSDI's exclusive glass passivated rectifier cells and welded interconnects for high reliability and mechanical strength. Fast recovery bridges are available on special order.

Consult your factory representative for engineering assistance.

Type	PIV per leg	Sine Wave RMS input Voltage Max	Average DC Output Amps TC = (case temp.)			Average DC Output Amps TA = Ambient Temp. (No heat Sink)			Peak 1 Cycle Forward surge	Peak Recurrent Forward	VF Max per leg @ 5 ADC	Reverse Current I _R Max. per leg @ PIV)	
			55°C	100°C	125°C	25°C	55°C	100°C				25°C	100°C
	VOLTS	VOLTS	AMPS	AMPS	AMPS	AMPS	AMPS	AMPS	AMPS	AMPS	VOLTS	UA	UA
SDA 130A	50	35	17.5	12.5	9.0	6	5	3	150	100	1	5	100
SDA 130B	100	70	17.5	12.5	9.0	6	5	3	150	100	1	5	100
SDA 130C	200	140	17.5	12.5	9.0	6	5	3	150	100	1	5	100
SDA 130D	400	280	17.5	12.5	9.0	6	5	3	150	100	1	5	100
SDA 130E	600	420	17.5	12.5	9.0	6	5	3	150	100	1	5	100
SDA 130F	800	560	17.5	12.5	9.0	6	5	3	150	100	1	5	100
SDA 130G	1000	700	17.5	12.5	9.0	6	5	3	150	100	1	5	100

NOTE: All specifications subject to change without notice.

SSDI SOLID STATE DEVICES, INC.

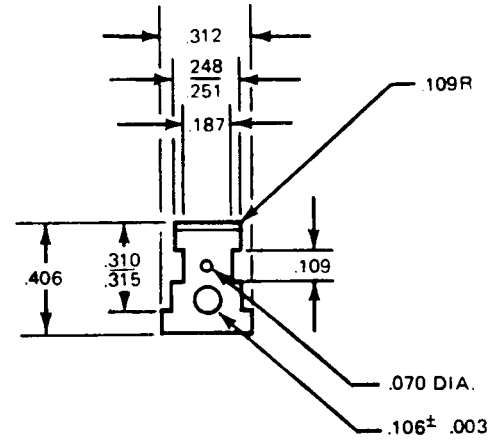
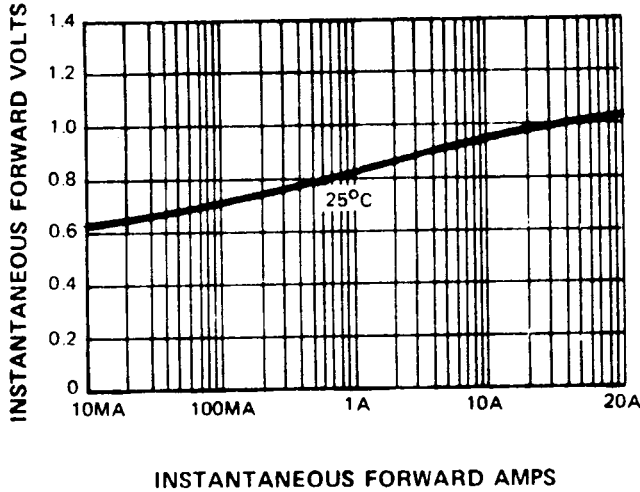
*Junction to Case

7/8!

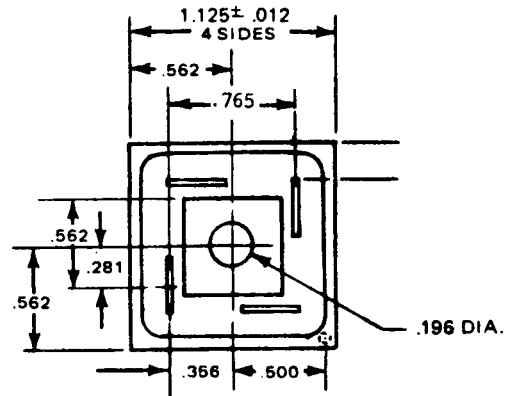
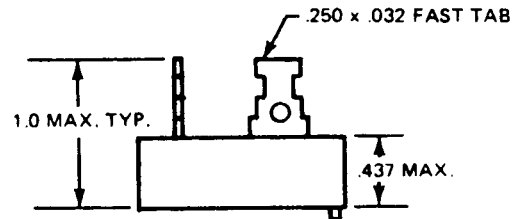
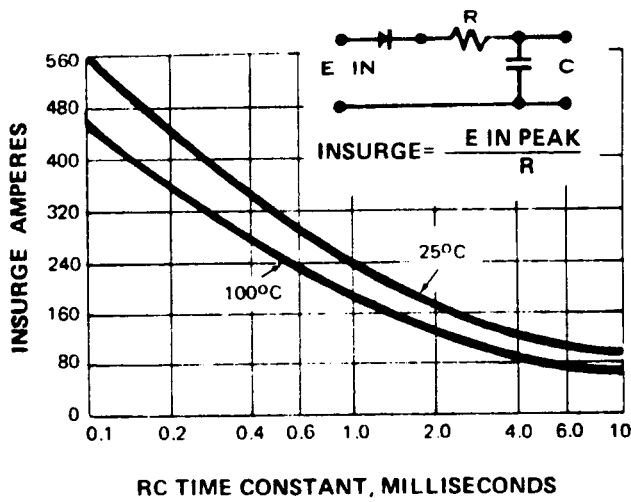


application notes

TYPICAL DYNAMIC FORWARD CHARACTERISTICS AT VARIOUS JUNCTION TEMPERATURES PER LEG



MAXIMUM RATINGS FOR CAPACITY LOADS



TOLERANCE XX±.03
 XXX±.020
 FRACTIONAL = NOMINAL DIMENSION

