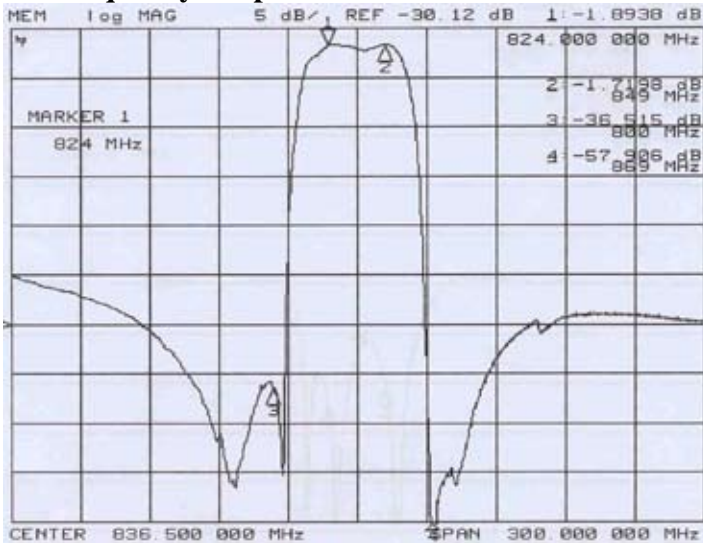
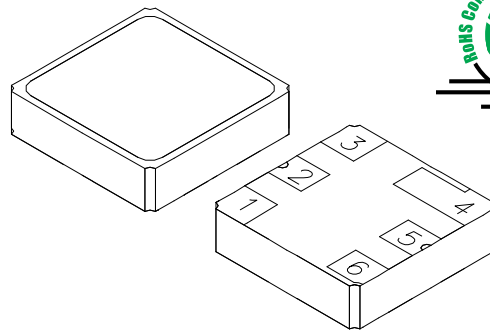


Model SF1009

Frequency Response



Terminal Connection



2, 5 : INPUT, OUTPUT
1, 3, 4, 6 : GROUND

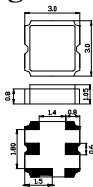
Maximum Ratings

Item	Unit	Condition	Rating
Maximum DC Voltage	V	-	5
Maximum Input Power	dBm	-	15
Operating Temperature Range	°C	-	-30 ~ +85
Storage Temperature Range	°C	-	-40 ~ +85

Electrical Specifications

Item	Unit	Condition	Min	Typ	Max
Center Frequency	MHz	Fo	836.5		
Passband Width	MHz	-	Fo +/-12.5		
Insertion Loss	dB	Passband	-	2.5	3
Passband Ripple Deviation	dB	Passband	-	0.8	1.5
Stop Band Rejection	dB	DC ~ 800.0MHz	25	-	-
		869.0 ~ 894.0MHz	30	-	-
		978.0 ~ 1006.0MHz	25	-	-
		1050.0 ~ 2600.0MHz	20	-	-
VSWR	-	824.0 ~ 849.0MHz	-	-	2.5
Terminating Impedance	Ω	-	50		

Package Dimension



Matching Configuration

Source / Load Impedance = 50Ω
Ambient Temperature = 25°C

