

smartModule Overview



-> see also page 20



-> see also page 21



-> see also page 22

Type	smartModule520PC	smartModuleP5PC	smartModuleP3PC
CPU	ELAN520	Intel® Pentium® MMX	Intel® Pentium® III / Celeron®
BUS System	smartBus480	smartBus480	smartBus480
Expansion Interface	ISA, PCI, MEMORY	ISA, PCI, MEMORY	ISA, PCI, MEMORY
2nd Level Cache	-	-	256kB
Clock (MHz)	133	166/266	300, 400, 700
DRAM (MB)	SODIMM 16-128	SODIMM 32-256	SODIMM 32-256
Flashdisk (MB) optional	2 - 8	-	-
CompactFlash	-	-	-
PCCard Interface	-	-	-
Mouse, Keyboard	✓	✓	✓
Keypad	-	-	-
Floppy Interface	✓	✓	✓
IDE Interface	✓ PCI	✓ PCI	✓ PCI
COM1	TTL	TTL	TTL
COM2	TTL	TTL	TTL
COM3	-	-	-
COM4	-	-	-
LPT1	✓	✓	✓
IrDA	external	external	external
USB	2	2	2
LAN	optional (PCX)	-	-
Video Controller	ATI M1	SXGA 69000	ATI M1
Video Datapath	PCI	PCI	PCI
Video Memory	8 MB	2 MB	8 MB
LCD Interface	24 Bit TFT 3V	36 Bit TFT 3V	24 Bit TFT 3V
LCD Resolution	1280 x 1024 x 256	1280 x 1024 x 256	1280 x 1024 x 256
Audio	-	-	-
EEPROM Support	✓	✓	✓
Watchdog	✓	✓	✓
Power Normal	5V/1,5A (typ.)	5V/1,8A (typ.@266MHz)	5V/2,5A (typ.@400MHz)
Power Suspend	no APM	5V/0,4A (typ.)	5V/0,5A (typ.)
Cooling Type	passive	passive	active
Operating Temp.	-25°C to +60°C	-25°C to +60°C	-25°C to +50°C
Extended Temp.	-40°C to +85°C	-40°C to +85°C	-40°C to +70°C
Size (mm)	66 x 85 x 14	66 x 85 x 14	66 x 85 x 14
Weight (gr)	90	90	90
MTBF	> 200'000h	> 200'000h	> 200'000h
Embedded DOS	-	-	-
Operating Systems	WIN-CE, WIN98, NT4, LINUX, QNX, RTXDOS	WIN-CE, WIN98, NT4, WIN2000, LINUX, QNX, RTXDOS	WIN-CE, WIN98, NT4, WIN2000, LINUX, QNX, RTXDOS
Status	for new designs	limited availability	for new designs / in development
Ordering Guide	smartModule520PC	smartModuleP5PC-166 smartModuleP5PC-266	smartModuleP3PC-300C smartModuleP3PC-400/-400C smartModuleP3PC-700
Development-Kit	SMxxPC-DK	SMxxPC-DK	SMxxPC-DK



Änderungen vorbehalten / Subject to change!

Beschreibung

Mit dem smartModule SMP5PC bietet DIGITAL-LOGIC ein auf Pentium® MMX-basierendes PC-Modul nach dem PC/480-Standard. Alle Peripherie-Schnittstellen inkl. USB, VGA werden über den smartBus480 in die kundenspezifische Umgebung integriert. Die geringe Leistungsaufnahme und das flache Modulgehäuse vereinfachen das Kühlkonzept.

Description

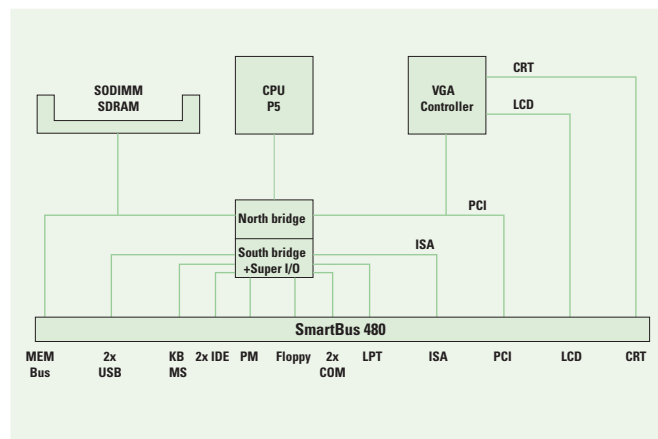
With the smartModule SMP5PC, based on the Pentium® MMX, DIGITAL-LOGIC offers a PC-module according to the PC/480-standard. All PC-interfaces incl. USB, VGA can be integrated via the smartBus480 into a custom specific application. Due to the minimal power consumption and flat housing, a reliable cooling-concept can be easy implemented.



Technical Data

Size	smartBus480
CPU	Intel® Pentium® MMX
Performance	166, 266MHz
2L-Cache	-
DRAM	SODIMM 32-256 MB
Bootable Flash	-
CompactFlash	-
PCCard	-
Keyboard	✓
BootDrive	FD, HD, CD, USB-FD/CD
Mouse	✓
Harddisk	✓, 2x
Floppy	✓
Serial	COM1 (TTL) COM2 (TTL)
BUS	ISA, PCI
Parallel	LPT1
USB	✓
LAN	-
Video	69000, 2 MB, VGA LCD Resolution 36 Bit Level 3V
Video Input	-
EEPROM	1k
Watchdog	onboard
RTC Battery	external
Power Management	✓, S2D, ATX, APM
Supply	5V
Consumption*	400mA/1800mA (typ.@266MHz)
Size	66 x 85 x 14mm

* sleep/normal



Ordering Information

Article	Part No.	Description
SMP5PC-166	805060	166MHz, 0 MB RAM
SMP5PC-266	805065	266MHz, 0 MB RAM
SMP5PCN-266	805066	266MHz, 0 MB RAM, no VGA
SMxxPC-DK	805025	Development-Kit without smartModule

Option	Part No.	Description
SDRAM32M	890645	SODIMM SDRAM-Module 32 MB
SDRAM64M	890644	SODIMM SDRAM-Module 64 MB
SDRAM128M	890646	SODIMM SDRAM-Module 128 MB
SDRAM256M	890647	SODIMM SDRAM-Module 256 MB