

# 2.00mm (0.079") PITCH CONNECTOR

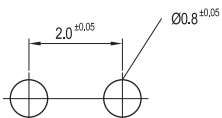
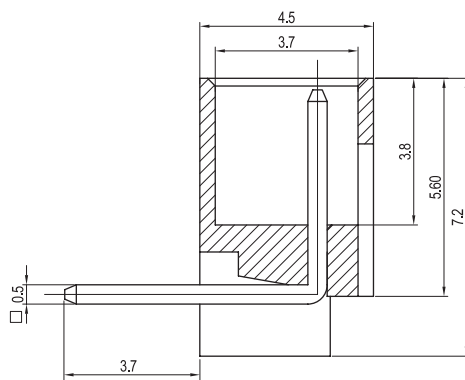
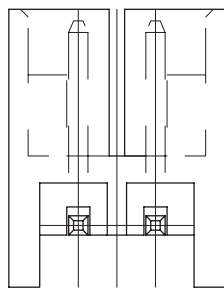
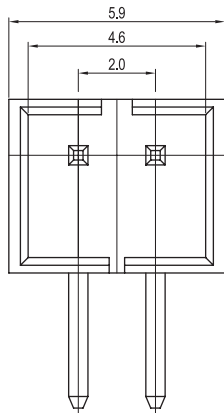
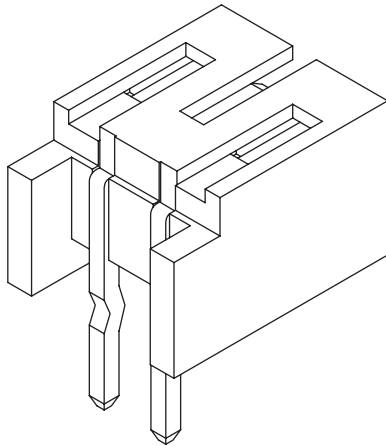


Wire-to-Board  
Wafer

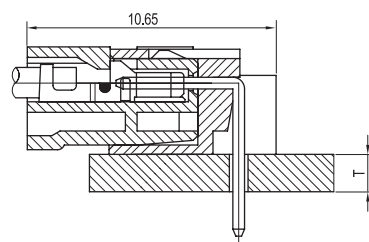
**YVAW200 Series**

**DIP**

**Right Angle**



P.C.B LAYOUT



TERMINAL ASSEMBLY DRAWING

## Material

I/NO	DESCRIPTION	TITLE	MATERIAL
1	WAFER	YVAW200	PA66, UL 94V Grade
2	PIN		Brass & Tin-Plated

## Specification

ITEM	SPEC
Voltage Rating	AC/DC 250V
Current Rating	AC/DC 3A
Operating Temperature	-25°C~+85°C
Contact Resistance	30mΩ MAX
Withstanding Voltage	AC1000V/1min
Insulation Resistance	1000MΩ MIN
Applicable Wire	-
Applicable P.C.B	1.2~1.6mm
Applicable FPC/FFC	-
Solder Height	-
Crimp Tensile Strength	-
UL FILE NO	-