

# TMX W345

SAW Bandpass Filter – Satellite Receiver – IF  
*Specification (Rev 1)*

---

▣ Features.....	P01
▣ Package Drawing & Pin out.....	P01
▣ Technical Characteristics .....	P02
▣ Matching Network.....	P02
▣ Nominal Response.....	P03
▣ Maximum Ratings.....	P04
▣ Marking & Packaging .....	P04


# TMX W345

## SAW Bandpass Filter – Satellite Receiver – IF

Specification (Rev 1)

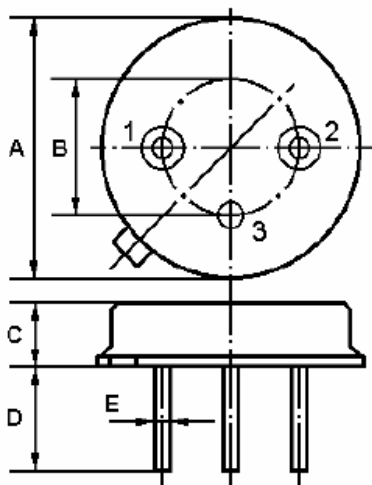
September 05<sup>th</sup>, 2005

### Features

- IF Filter
- Constant Group Delay
- 36.2 MHz useable Passband
- 50 W Single Configuration
- TO39 Package
- 

### Package Drawing & Pin out

The product is in conformance with the European RoHs Regulation 2002/95.



Dimensions (unit: mm)

A	9.35±0.1
B	5.08±0.1
C	3.40±0.1
D	3.00±0.2
E	? 0.45±0.2

Pin Configuration

Input	1 or 2
Output	2 or 1
Case ground	3

# TMX W345

## SAW Bandpass Filter – Satellite Receiver – IF

Specification (Rev 1)

September 05<sup>th</sup>, 2005

### Technical Characteristics

Reference Temperature : +25°C

Electrical Parameters	Unit	Minimum	Typical <sup>(1)</sup>	Maximum
Source Impedance (single)	Ω	-	50 <sup>(2)</sup>	-
Load Impedance (single)	Ω	-	50 <sup>(2)</sup>	-
Center Frequency $f_0$	MHz	479	480	481
Bandwidth at -3 dB	MHz	-	36.2	-
<b>Relative attenuation</b>				
At 462 MHz	dB	-	3.1	4.2
At 498 MHz	dB	-	2.9	4.2
From 430 MHz to 450 MHz	dB	36	42	-
From 510 MHz to 530 MHz	dB	36	43	-
Insertion Loss at 480 MHz	dB	-	21.0	22.5
Amplitude Ripple in $f_0 \pm 13.0$ MHz <sup>(3)</sup>	dB <sub>p-p</sub>	-	0.5	1.0
Amplitude tilt in $f_0 \pm 13.0$ MHz	dB/MHz	-	0.02	-
Group Delay at $f_0$	ns	-	274	-
Group Delay Ripple in $f_0 \pm 13.5$ MHz	ns <sub>p-p</sub>	-	2.0	3.0
Reflected Wave Signal Suppression 0.1μs...2.0μs after main pulse	dB	40	48	-
Temperature coefficient of frequency	ppm/K	-	-86	-

Notes :

- (1) Typical values are nominal performances at room temperature.
- (2) No external matching network is required.
- (3) The amplitude variation is defined as the maximum level – minimum level over the given bandwidth.

# TMX W345

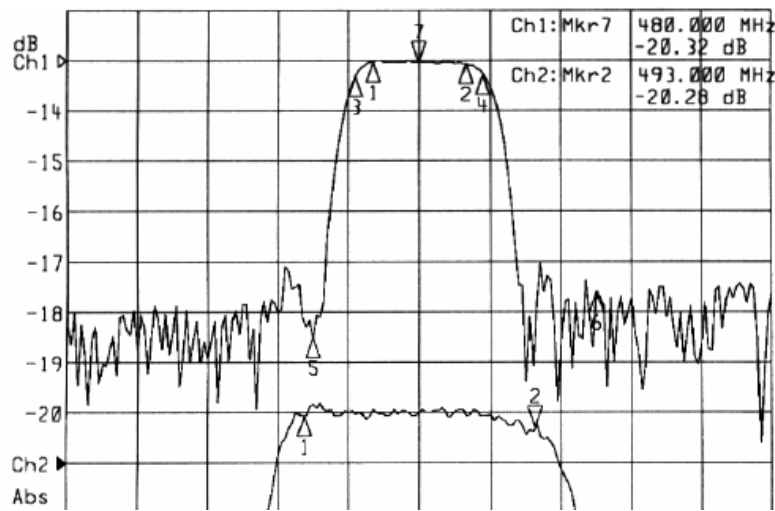
## SAW Bandpass Filter – Satellite Receiver – IF

Specification (Rev 1)

September 05<sup>th</sup>, 2005

**Nominal Frequency Response (Measurements)**

**Frequency Response**  
(20 MHz/div & 10 dB/div - 8 MHz/div & 1 dB/div)



# TMX W345

## SAW Bandpass Filter – Satellite Receiver – IF

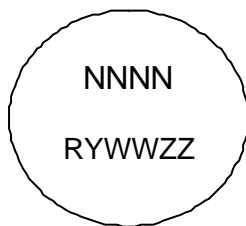
Specification (Rev 1)

September 05<sup>th</sup>, 2005

### Maximum Ratings

Operating Temperature Range	°C	[-25°C ; +85°C]
Storage Temperature Range	°C	[-40°C ; +85°C]
DC voltage between any two pins	V	0
AC voltage between any two pins	V	5

### Marking



"NNNN" is the reference to Temex Part number

"RYWWZZ" is the date code as :

R : supplier identifier

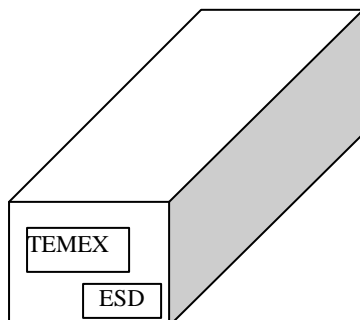
Y : last digit of the year

WW : number of week in the year

ZZ : Lot number in the week

### Packaging

The filters are placed in tube (50 filters per tube). Those tubes are grouped in order to make 500 parts block. Orientation is homogenous in a group of 500 parts.



The outside box is used (see picture above) for the shipment.