



DATA SHEET

GBJ10A~GBJ10K

GLASS PASSIVATED SINGLE-PHASE BRIDGE RECTIFIER

VOLTAGE 50 to 800 Volts **CURRENT** 10 Ampere

Reconnized File #E228882

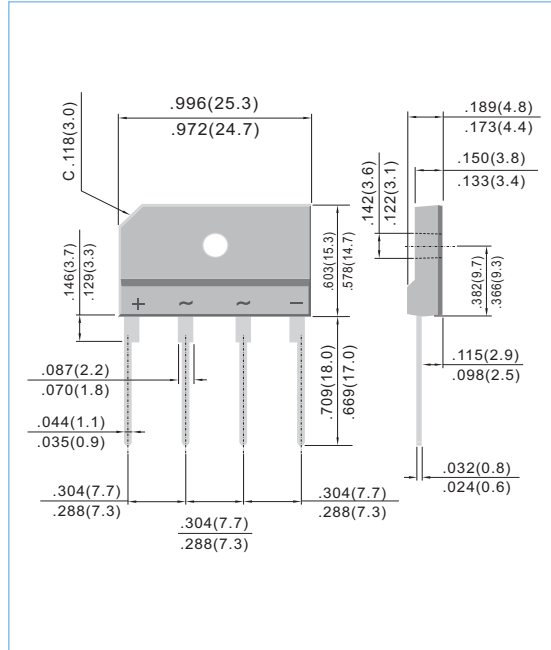
FEATURES

- Plastic material has Underwriters Laboratory Flammability Classification 94V-O
- Ideal for printed circuit board
- Reliable low cost construction utilizing molded plastic technique
- Surge overload rating: 200 Amperes peak
- High temperature soldering guaranteed:
260°C/10 seconds/.375"(9.5mm) lead length at 5 lbs. (2.3kg) tension
- Pb free product are available : 99% Sn above can meet Rohs environment substance directive request

MECHANICAL DATA

Case: Reliable low cost construction utilizing molded plastic technique
 Terminals: Leads solderable per MIL-STD-202, Method 208
 Mounting position: Any
 Mounting torque: 5 in. lb. Max.
 Weight: 0.15 ounce, 4.0 grams

GBJ Unit: inch (mm)



MAXIMUM RATINGS AND ELECTRICAL CHARACTERISTICS

Rating at 25°C ambient temperature unless otherwise specified. Resistive or inductive load, 60Hz.
 For Capacitive load derate current by 20%.

PARAMETER	SYMBOL	GBJ10A	GBJ10B	GBJ10D	GBJ10G	GBJ10J	GBJ10K	UNITS
Maximum Recurrent Peak Reverse Voltage	V _{RRM}	50	100	200	400	600	800	V
Maximum RMS Bridge Input Voltage	V _{RMS}	35	70	140	280	420	560	V
Maximum DC Blocking Voltage	V _{DC}	50	100	200	400	600	800	V
Maximum Average Forward TC=100 °C Rectified Output Current at TA=45 °C	I _{AV}	10.0 8.0						A
I ² t Rating for fusing (t<8.3ms)	I ² t	166						A ² sec
Peak Forward Surge Current single sine-wave superimposed on rated load (JEDEC method)	I _{FSM}	200						A _{pk}
Maximum Instantaneous Forward Voltage Drop per element at 5.0A	V _F	1.0						V _{pk}
Maximum Reverse Leakage Current at Rated @ TA=25°C Dc Blocking Voltage @ TA=100°C	I _R	5.0 500						uA
Typical Thermal Resistance per leg (Note 2) (Note 3)	R _{θJA} R _{θJC}	18.0 3.1						°C/W
Operating Junction and Storage Temperature Range	T _J , T _{STG}	-55 to + 150						°C

NOTES:

1. Recommended mounting position is to bolt down on heatsink with silicone thermal compound for maximum heat transfer with #6 screw.
2. Units Mounted in free air, no heatsink, P.C.B at 0.375"(9.5mm) lead length with 0.5 x 0.5"(12 x 12mm)copper pads.
3. Units Mounted on a 2.6 x 1.4" x 0.06" thick (6.5 x 3.5 x 0.15cm) AL plate.



RATING AND CHARACTERISTIC CURVES

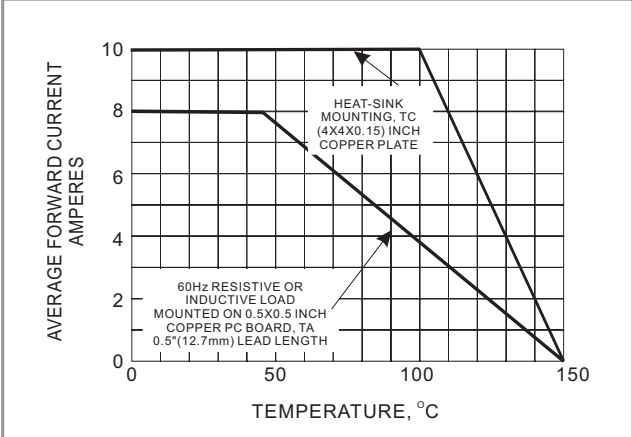


Fig. 1 - DERATING CURVE FOR OUTPUT RECTIFIED CURRENT

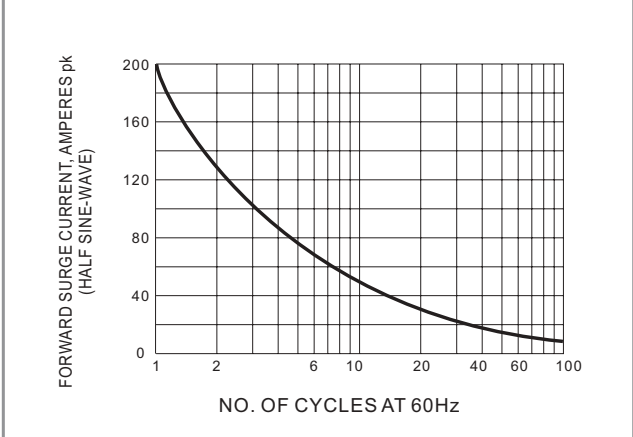


Fig. 2 - MAXIMUM NON-REPETITIVE PEAK FORWARD SURGE CURRENT

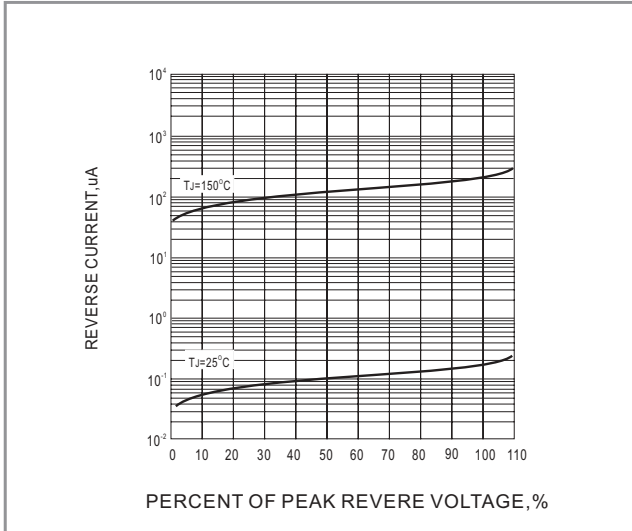


Fig.3 - TYPICAL REVERSE CHARACTERISTICS

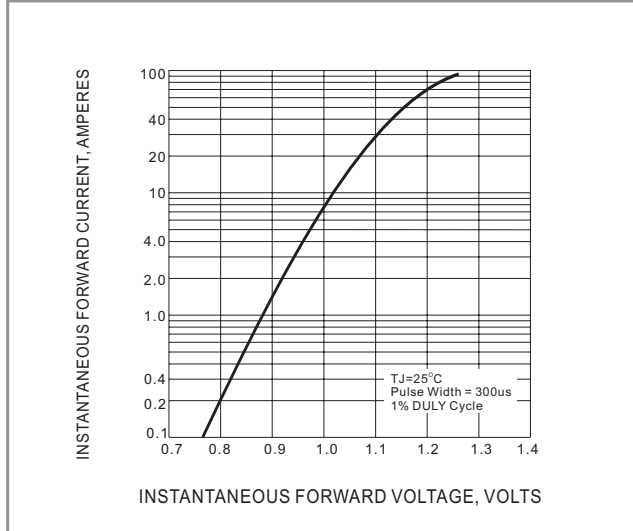


Fig.4 - TYPICAL INSTANTANEOUS FORWARD CHARACTERISTICS PER ELEMENT