

ACE-C232 PS/2 Size 230W Redundant Power Supply



Specification

Power Fault Warning:

In case one power module failed, the buzzer and LED will act. After pushing reset button, the buzzer stops and the LED still light until the failed power module is fixed.

ACE-R23A 230W Redundant Power Module

- ◆ Input : 90V to 130V AC or 180V to 260V AC selectable,
- ◆ Output (Max. Output Power 230W at 30°C)

Output	Min. Load	Rated Load	Max. Load	Voltage Accessory
+5V	4.0A	20A	25A	4.80V to 5.20V
+12V	1.0A	10A	12A	11.4V to 12.9V
-12V	0.1A	0.5A	1A	-11.30V to -12.60V
-5V	0.1A	0.5A	1A	-4.65V to -5.25V

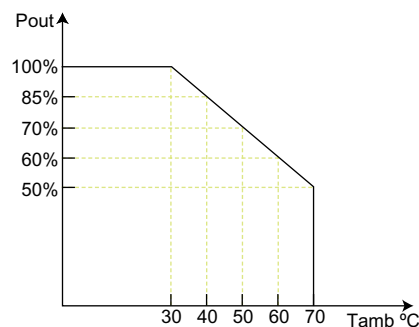
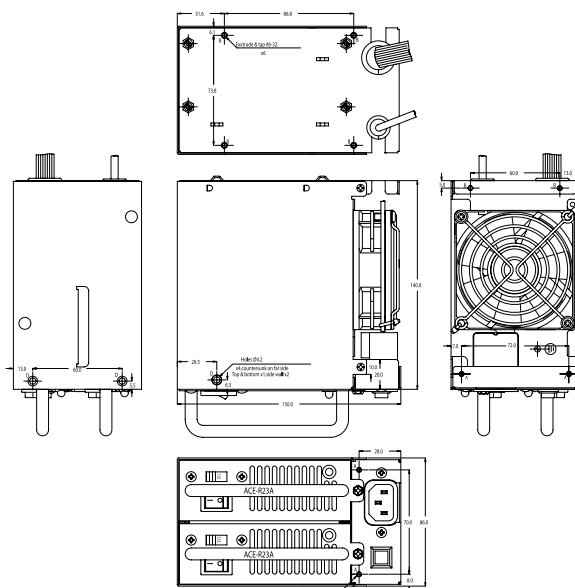
- ◆ Ripple and Noise: The peak to peak ripple and noise for +5V output is less than 50mV, for ±12V and -5V output is less than 100mV.
- ◆ Line Regulation: The line regulation for each output is less ±1% while measuring at rated load and ±10% or 115VAC or 230VAC input voltage changing.
- ◆ Load Regulation: The output voltage load regulation is less than the following value by changing each output and ±40% from 60% rated load, and keep all other outputs at 60% rated load. +5V : ±4% +12V : ±5% -12V : ±2% -5V : ±2%
- ◆ Hold Up Time: >16ms
- ◆ Power Good Signal: Go high 100ms to 500ms after all output DC Voltages are within regulation limits.
- ◆ Efficiency: 70% typical
- ◆ Output protection: Over Voltage Protection and Short Protection
- ◆ Operating temperature : 0 ~ 50°C (derating about 20% form 30°C to 50°C)
- ◆ Storage temperature : -40 ~ 75°C
- ◆ Cooling: Cooling with a 42CFM forced air
- ◆ MTBF: 122,347 Hrs
- ◆ Safety Standards: CSA22.2 No. 234;
- ◆ EMI Standard: ECC docket 20780 curve "B" ; EN55022 class "B"
- ◆ Connectors: DIN 41612 C96
- ◆ Pin Assignment:

Pin 1	AC L	Pin 11, 12, 13	+12V
4	AC N	11~25	GND
9	-5V	26~31	+5V
10	-12V	32	Power Good

Safety



Dimension



Ordering Information

Part No.	Description
ACE-C232-RS	PS/2 size 230W redundant power supply includes two ACE-R23A
ACE-R23A-RS	230W redundant power module, For ACE-C232