

XB1085 Series

3.0A Positive Voltage Regulator

GENERAL DESCRIPTION

The XB1085 is a series of low dropout positive voltage regulators with a high output current capacity of 3.0A .

Stable output can be maintained by using 10 μ F (C_{IN}) and 22 μ F (C_L) of tantalum capacitors.

The fixed voltage types (XB1085P series) are available in 1.5V, 1.8V, 2.5V, 3.3V, and 5.0V. The voltage adjustable type (XB1085K series) is also available which can set the output voltage with only two external resistors.

With an overcurrent and thermal protection circuit built-in, the IC is disabled for protection when an output current reaches limit current or junction temperature increases up to limit temperature.

The XB1085 series is available in TO-252 package.

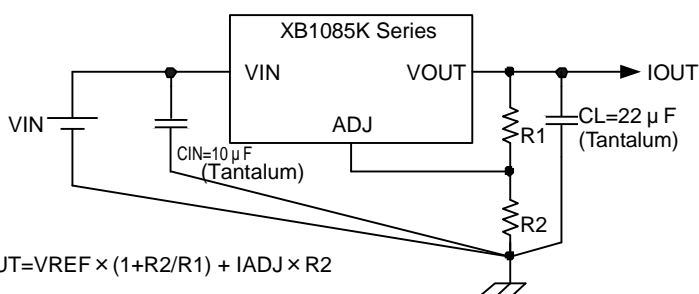
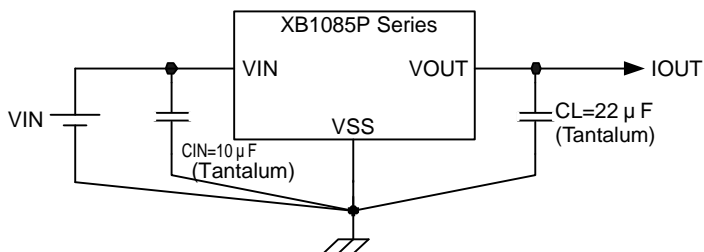
APPLICATIONS

- High efficiency linear regulators
- Battery chargers
- DVD drives
- Set top boxes
- Various battery drive equipment

FEATURES

- Maximum Output Current** : More than 3.0A (within Pd)
- Maximum Operating Voltage** : 12V
- Output Voltage** : 1.5V, 1.8V, 2.5V, 3.3V, 5.0V, (XB1085P)
Externally Set
(XB1085K/ Reference Voltage 1.25V (TYP.))
- Output Voltage Accuracy** : $\pm 1\%$ ($T_j = 25^\circ$)
- Dropout Voltage** : 1.3V @ $I_{OUT} = 3.0A$ (TYP.)
- Line Regulation** : 0.015% (TYP.) <ADJ>
- Load Regulation** : 0.1% (TYP.) <ADJ>
- Reference Voltage Pin Current**: Less than 120 μ A <ADJ>
- Overcurrent Protection Circuit Built-In**
- Thermal Protection Circuit Built-In**
- Package** : TO-252

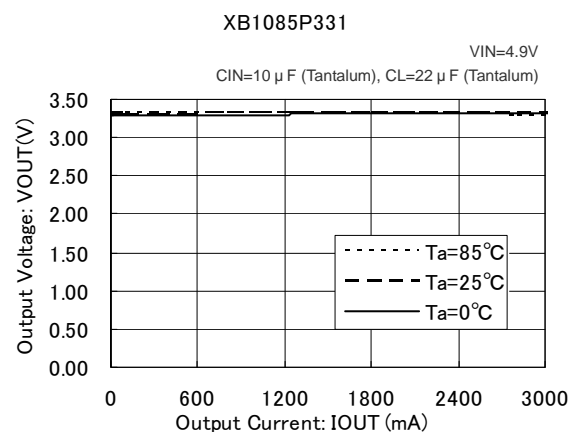
TYPICAL APPLICATION CIRCUITS



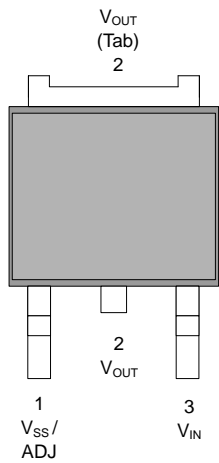
$$V_{OUT} = V_{REF} \times (1 + R_2/R_1) + I_{ADJ} \times R_2$$

TYPICAL PERFORMANCE CHARACTERISTICS

Output Voltage vs. Output Current



PIN CONFIGURATION



TO-252
(TOP VIEW)

PIN ASSIGNMENT

PIN NUMBER	PIN NAME	FUNCTIONS
TO-252		
1	V _{SS} / ADJ	Ground / Reference Voltage
2	V _{OUT}	Output
3	V _{IN}	Input

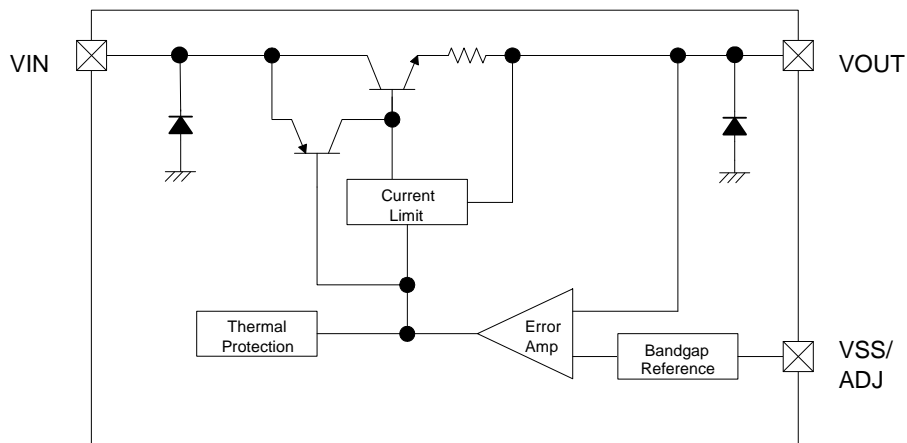
PRODUCT CLASSIFICATION

Ordering Information

XB1085

DESIGNATOR	DESCRIPTION	SYMBOL	DESCRIPTION
	Type of Regulators	P	: Fixed V _{OUT}
		K	: Adjustable (Externally Set)
	Output Voltage and Output Voltage Accuracy	151	: V _{OUT} =1.5V (± 1%)
		181	: V _{OUT} =1.8V (± 1%)
		251	: V _{OUT} =2.5V (± 1%)
		331	: V _{OUT} =3.3V (± 1%)
		501	: V _{OUT} =5.0V (± 1%)
		12B	: V _{REF} =1.25V (± 1%)
	Package	J	: TO-252
	Device Orientation	R	: Embossed tape, standard feed
		L	: Embossed tape, reverse feed

BLOCK DIAGRAM



*Diodes inside the circuit are ESD protection diodes.

ABSOLUTE MAXIMUM RATINGS

PARAMETER	SYMBOL	RATINGS	UNIT
Input Voltage	V_{IN}	18	V
Power Dissipation	TO-252 P_d	1300 ^(*2)	mW
Operating Junction Temperature	T_j	125	
Storage Temperature Range	T_{stg}	- 55 ~ 125	

Note:

*1: Stresses greater than those listed above ratings may cause permanent damage to the device.

*2: The rating of the power dissipation is determined when mounted on the PCB.

ELECTRICAL CHARACTERISTICS

XB1085PxxxJ

T_j= 25 unless otherwise specified

PARAMETER	SYMBOL	CONDITIONS	MIN.	TYP.	MAX.	UNIT	CIRCUIT
Output Voltage	V _{OUT} (1.5V)	V _{IN} =4.5V, I _{OUT} =0mA	1.485	1.5	1.515	V	
		O.T. ^(*)	1.47		1.53		
	V _{OUT} (1.8V)	V _{IN} =4.8V, I _{OUT} =0mA	1.782	1.8	1.818	V	
		O.T. ^(*)	1.764		1.836		
	V _{OUT} (2.5V)	V _{IN} =5.5V, I _{OUT} =0mA	2.475	2.5	2.525	V	
	O.T. ^(*)	2.450	-	2.550			
V _{OUT} (3.3V)	V _{IN} =6.3V, I _{OUT} =0mA	3.267	3.3	3.333	V		
	O.T. ^(*)	3.234	-	3.366			
V _{OUT} (5.0V)	V _{IN} =8.0V, I _{OUT} =0mA	4.95	5	5.05	V		
	O.T. ^(*)	4.9		5.1			
Line Regulation	V _{OUT1} (1.5V)	3V V _{IN} 10V I _{OUT} =10mA	-	0.5	6	mV	
		O.T. ^(*)		1	6		
	V _{OUT1} (1.8V)	3.3V V _{IN} 10V I _{OUT} =10mA	-	0.5	6	mV	
		O.T. ^(*)		1	6		
	V _{OUT1} (2.5V)	4V V _{IN} 10V I _{OUT} =10mA	-	0.5	6	mV	
	O.T. ^(*)		1	6			
V _{OUT1} (3.3V)	4.8V V _{IN} 10V I _{OUT} =10mA	-	0.5	6	mV		
	O.T. ^(*)		1	6			
V _{OUT1} (5.0V)	6.5V V _{IN} 10V I _{OUT} =10mA	-	0.5	10	mV		
	O.T. ^(*)		1	10			
Load Regulation	V _{OUT2} (1.5V)	V _{IN} -V _{OUT} =3.0V 0mA I _{OUT} 3.0A	-	3	15	mV	
		O.T. ^(*)		7	20		
	V _{OUT2} (1.8V)	V _{IN} -V _{OUT} =3.0V 0mA I _{OUT} 3.0A	-	3	15	mV	
		O.T. ^(*)		7	20		
	V _{OUT2} (2.5V)	V _{IN} -V _{OUT} =3.0V 0mA I _{OUT} 3.0A	-	3	15	mV	
	O.T. ^(*)		7	20			
V _{OUT2} (3.3V)	V _{IN} -V _{OUT} =3.0V 0mA I _{OUT} 3.0A	-	3	15	mV		
	O.T. ^(*)		7	20			
V _{OUT2} (5.0V)	V _{IN} -V _{OUT} =3.0V 0mA I _{OUT} 3.0A	-	5	20	mV		
	O.T. ^(*)		10	35			
Dropout Voltage	V _{dif}	V _{OUT} =1%, I _{OUT} =3.0A	-	1.3	1.5	V	
Limit Current	I _{LIM}	V _{IN} -V _{OUT} =3.0V	3.2	4.5	-	A	
Supply Current	I _{DD}	V _{IN} =10V	O.T. ^(*)	-	5	10	mA
Temperature Stability	T _s	V _{IN} -V _{OUT} =1.5V I _{OUT} =10mA	O.T. ^(*)	-	0.5	-	%

Note:

*1: O.T. denotes the specifications which apply over the operating junction Temperature range (0 T_j 125°C).

Please be sure that the power consumption does not exceed the power dissipation rating 1300mW. If the power consumption exceeds the power dissipation rating and the operating junction temperature rises more than the rating 125°C, the IC enters thermal shutdown state.

ELECTRICAL CHARACTERISTICS (Continued)

XB1085K12BJ

T_j = 25 unless otherwise specified

PARAMETER	SYMBOL	CONDITIONS	MIN.	TYP.	MAX.	UNIT	CIRCUIT	
Reference Voltage	V _{REF}	V _{IN} -V _{OUT} =3.0V	1.238	1.25	1.262	V		
		I _{OUT} =10mA	O.T. ^(*)	1.225	-			1.275
Line Regulation	V _{OUT1}	2.85V V _{IN} 10V	-	0.015	0.2	%		
		I _{OUT} =10mA	O.T. ^(*)	0.035	0.2			
Load Regulation	V _{OUT2}	V _{IN} -V _{OUT} =3.0V	-	0.1	0.3	%		
		0mA I _{OUT} 3.0A	O.T. ^(*)	0.2	0.4			
Dropout Voltage	V _{dif}	V _{OUT} =1%, I _{OUT} =3.0A	-	1.3	1.5	V		
Limit Current	I _{LIM}	V _{IN} -V _{OUT} =3.0V	3.2	4.5	-	A		
Temperature Stability	T _s	V _{IN} -V _{OUT} =1.5V	O.T. ^(*)	-	0.5	-	%	-
Minimum Output Current	I _{OUTmin}	V _{IN} =10V	O.T. ^(*)	-	3	10	mA	
Adjust Voltage Pin Current	I _{ADJ}	V _{IN} =4.25V, I _{OUT} =10mA	O.T. ^(*)	-	55	120	μA	

Note:

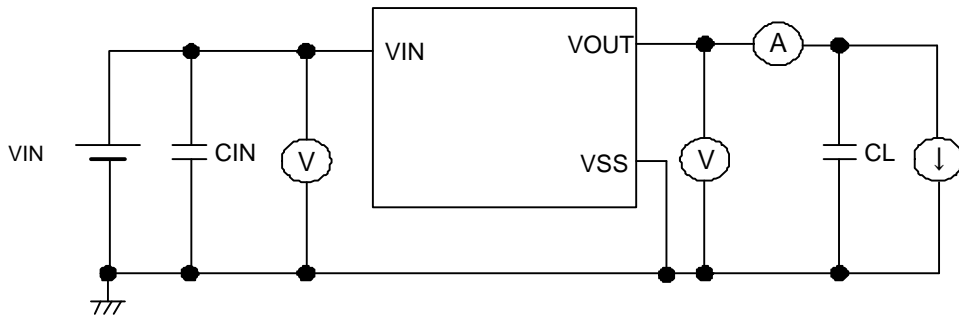
*1: O.T. denotes the specifications which apply over the operating junction Temperature range (0 ≤ T_j ≤ 125°C).

Please be sure that the power consumption does not exceed the power dissipation rating, 1300mW. If the power consumption exceeds the power dissipation rating and the operating junction temperature rises more than the rating, 125°C, the IC enters thermal shutdown state.

TEST CIRCUITS

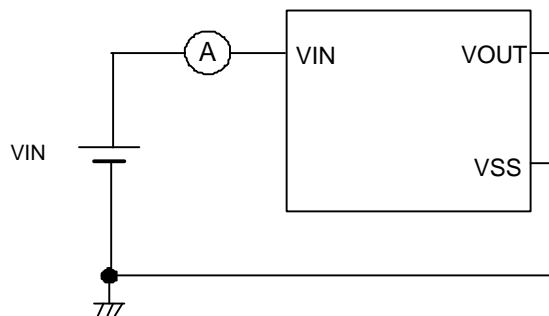
XB1085PxxxJ

Circuit



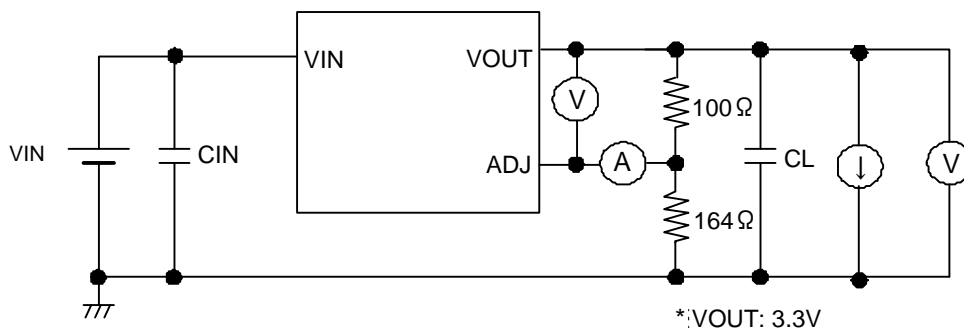
* $C_{IN}=10\ \mu\text{F}$ (Tantalum), $C_L=22\ \mu\text{F}$ (Tantalum)

Circuit



XB1085K12BJ

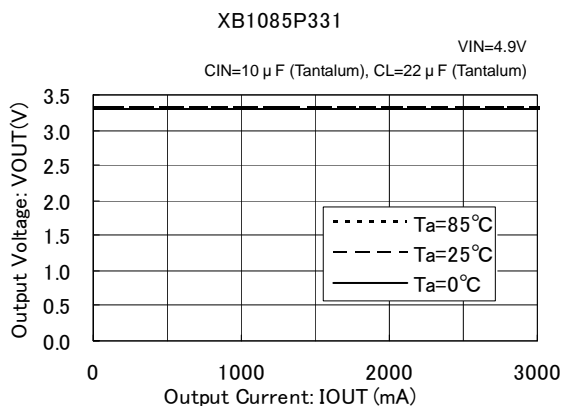
Circuit



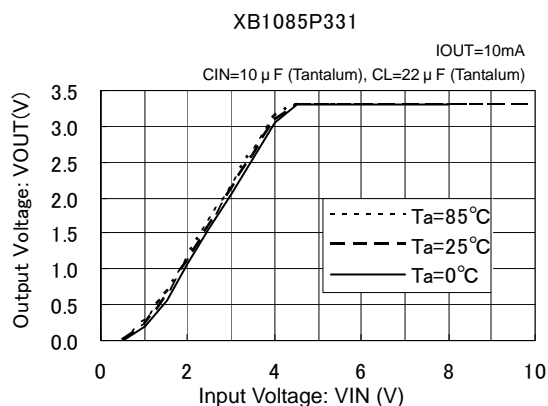
* $C_{IN}=10\ \mu\text{F}$ (Tantalum), $C_L=22\ \mu\text{F}$ (Tantalum)

TYPICAL PERFORMANCE CHARACTERISTICS

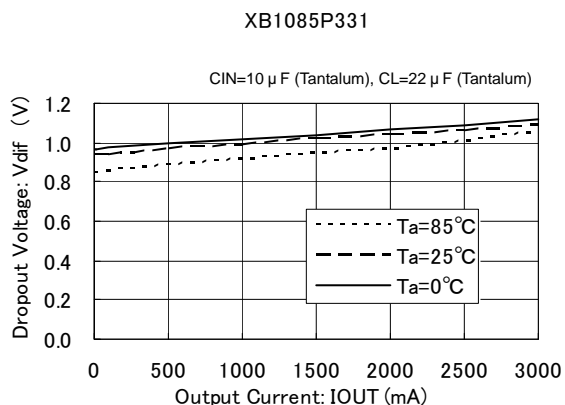
(1) Output Voltage vs. Output Current



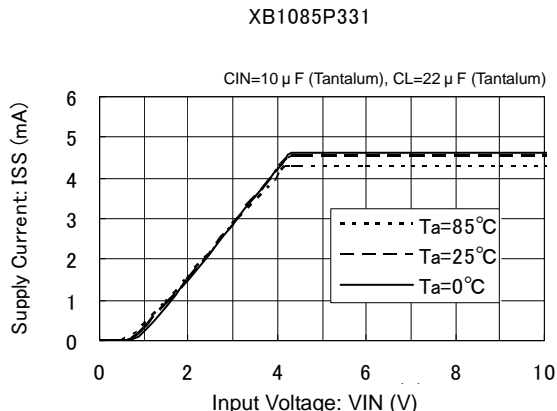
(2) Output Voltage vs. Input Voltage



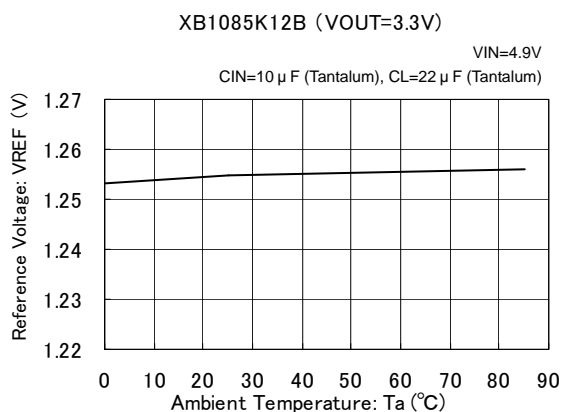
(3) Dropout Voltage vs. Output Current



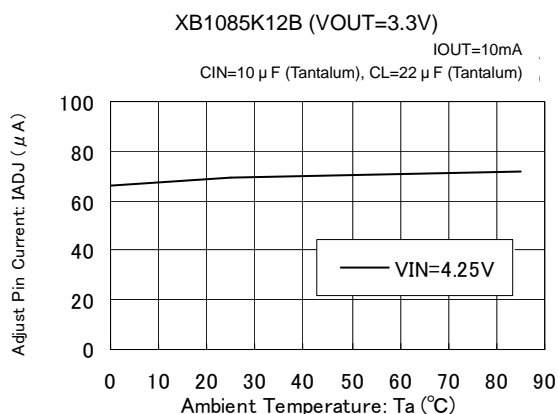
(4) Supply Current vs. Input Voltage



(5) Reference Voltage vs. Ambient Temperature

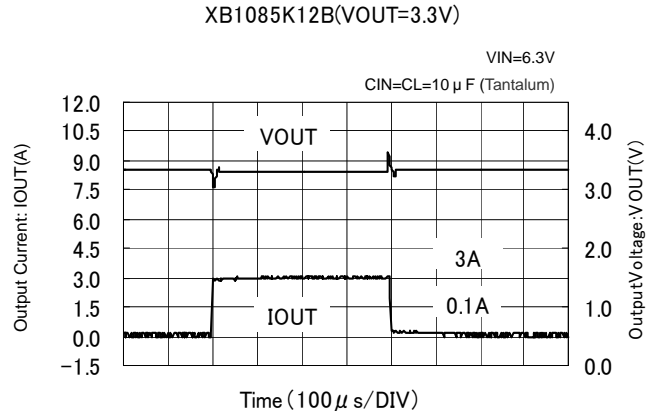
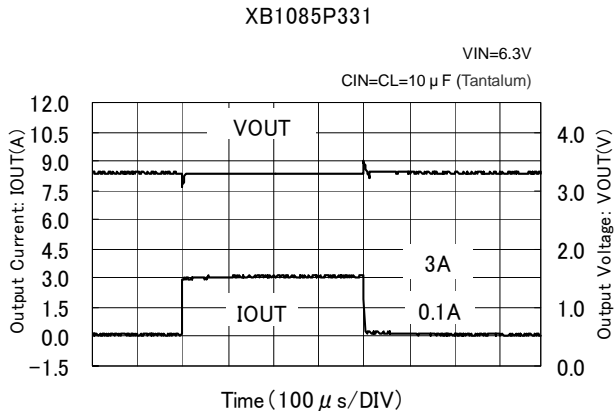


(6) Adjust Pin Current vs. Ambient Temperature

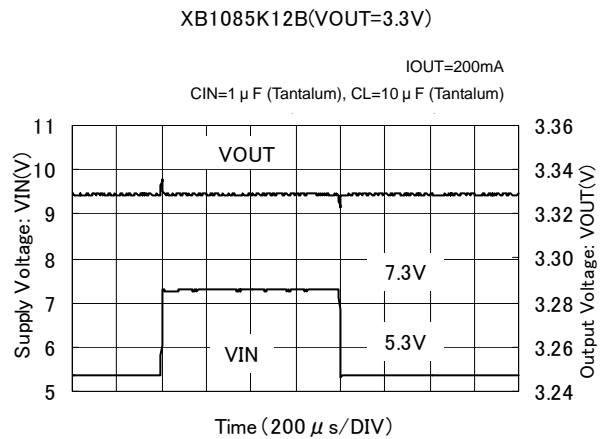
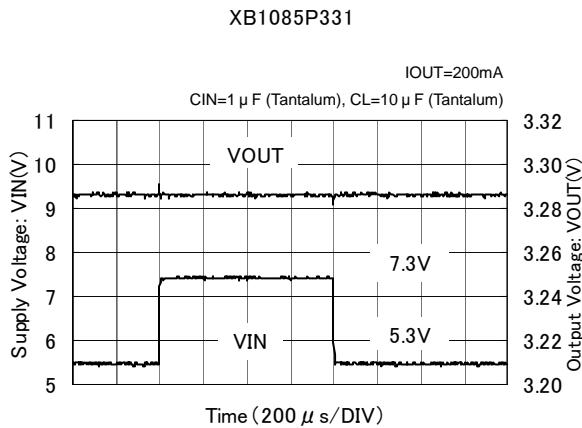


TYPICAL PERFORMANCE CHARACTERISTICS (Continued)

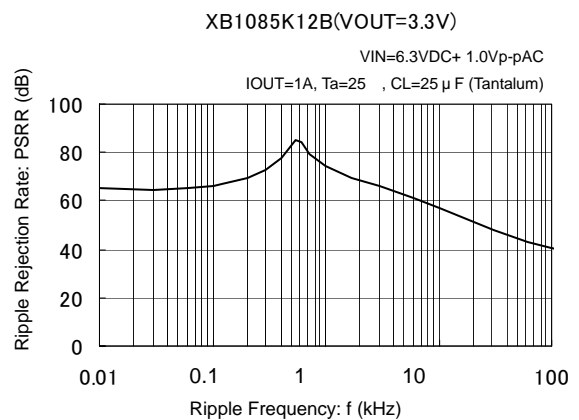
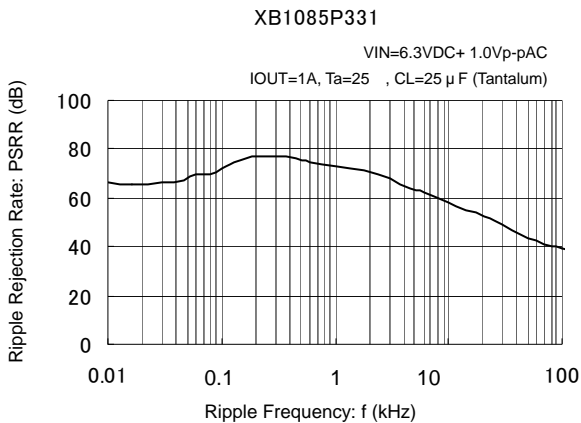
(7) Load Transient Response



(8) Input Transient Response

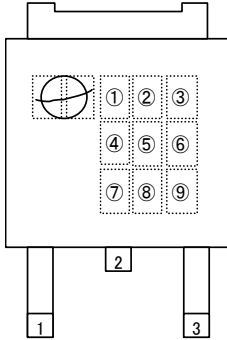


(9) Ripple Rejection Rate



MARKING RULE

TO-252



TO-252
(TOP VIEW)

Represents product series

MARK		PRODUCT SERIES
8	5	

Represent the type of regulator

MARK	TYPE	PRODUCT SERIES
P	Fixed Output Type	XB1085P***J*
K	Adjustable (Externally Set)	XB1085K***J*

Represents output voltage

MARK		OUTPUT VOLTAGE	PRODUCT SERIES
1	5		
1	8	1.8V	XB1085P181J*
2	5	2.5V	XB1085P251J*
3	3	3.3V	XB1085P331J*
5	0	5.0V	XB1085P501J*
1	2	ADJ	XB1082K12BJ*

Represents output voltage accuracy and output type

MARK	OUTPUT VOLTAGE ACCURACY (OUTPUT TYPE)	PRODUCT SERIES
1	1%	XB1085P**1J*
B	Adjustable	XB1085K12BJ*

Represents the last digit of production year

ex.)

MARK	PRODUCTION YEAR
7	2007
8	2008

Represents production lot number

0 to 9, A to Z repeated.

(G, I, J, O, Q, W excepted. '0' of the first digit does not mark.)

* No character inversion used.

ex.)

MARK		PRODUCTION LOT NUMBER
Blank	3	
1	A	1A

1. The products and product specifications contained herein are subject to change without notice to improve performance characteristics. Consult us, or our representatives before use, to confirm that the information in this catalog is up to date.
2. We assume no responsibility for any infringement of patents, patent rights, or other rights arising from the use of any information and circuitry in this catalog.
3. Please ensure suitable shipping controls (including fail-safe designs and aging protection) are in force for equipment employing products listed in this catalog.
4. The products in this catalog are undeveloped, designed, or approved for use with such equipment whose failure or malfunction can be reasonably expected to directly endanger the life of, or cause significant injury to, the user.
(e.g. Atomic energy; aerospace; transport; combustion and associated safety equipment thereof.)
5. Please use the products listed in this catalog within the specified ranges.
Should you wish to use the products under conditions exceeding the specifications, please consult us or our representatives.
6. We assume no responsibility for damage or loss due to abnormal use.
7. All rights reserved. No part of this catalog may be copied or reproduced without the prior permission of Torex Semiconductor Ltd.

TOREX SEMICONDUCTOR LTD.