

BRIGHT LED ELECTRONICS CORP.

SURFACE MOUNT CHIP LED LAMP SPECIFICATION

●COMMODITY : AXIAL TYPE LED

●DEVICE NUMBER : BL-XD0361

VERSION : 1.0 / 2000.08.12

●ELECTRICAL AND OPTICAL CHARACTERISTICS (Ta=25°C)

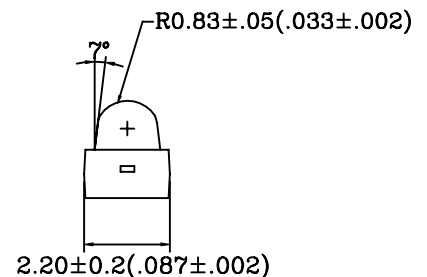
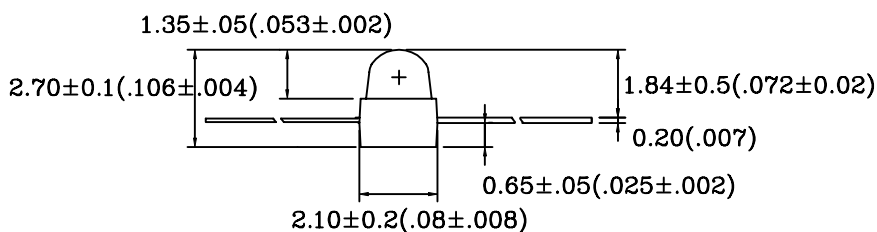
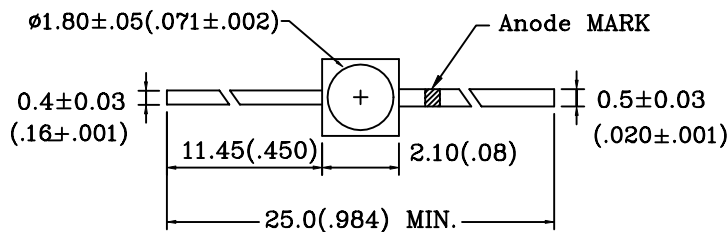
Chip		Lens Appearance	Absolute Maximum Rating				Electro-optical Data (At 20mA)			Viewing Angle 2θ 1/2 (deg)
Emitted Color	Peak Wave Length λ P(nm)		Δ λ (nm)	Pd (mW)	If (mA)	Peak If(mA)	Vf(V)		Iv Typ. (mcd)	
							Typ.	Max.		
Super Red	660	Water Clear	20	60	30	150	1.7	2.6	100.0	35

Remark : Viewing angle is the Off-axis angle at which the luminous intensity is half the axial luminous intensity.

●ABSOLUTE MAXIMUM RATINGS (Ta=25°C)

Reverse Voltage	5V
Reverse Current (-Vr=5V)	100μA
Operating Temperature Range	-55°C ~ 100°C
Storage Temperature Range	-55°C ~ 100°C
Preheating Temperature	100°C ~ 150°C Within 2 Minutes
Soldering Temperature	240°C ~ 250°C Within 5 Seconds


●PACKAGE DIMENSIONS



NOTES: 1.All dimensions are in millimeters (inches).

2.Tolerance is ± 0.25 mm (0.01") unless otherwise specified.

3.Specifications are subject to change without notice.

RELEASED : 

ENGINEER : 

● **DEVICE NUMBER : BL-XD0361-TR8**

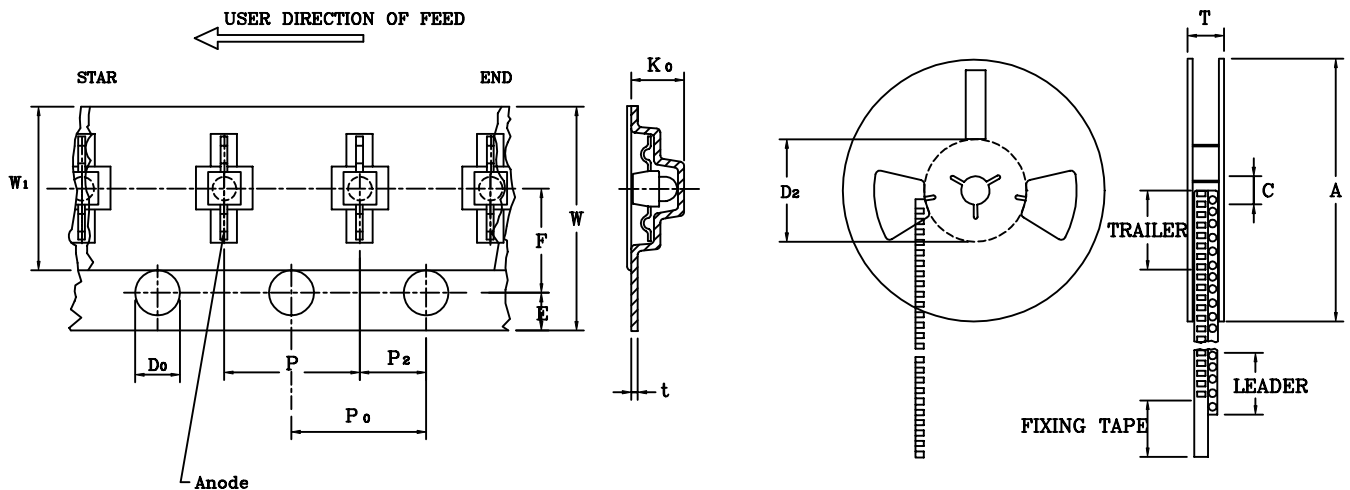
VERSION : 1.0 /2000.08.11

● **FEATURES:**

- Compatible with automatic placement equipment
- Surface Mount assembly lamp
- High efficiency low power consumption
- Long life solid state reliability

● **TAPPING AND PACKAGING SPECIFICATION**

ITEM	SYMBOL	SPECIFICATION			
		Minimum		Maximum	
		mm	inch	mm	inch
Tape Feed Hole Diameter (DIA)	D_0	1.40	0.055	1.55	0.061
Feed Hole Location	E	1.65	0.065	1.85	0.072
Centers Line Dimensions Length Direction	F	5.45	0.215	5.55	0.218
Compartment Depth	K_0	3.10	0.122	3.20	0.126
Compartment Pitch	P	3.90	0.153	4.10	0.161
Sprocket Hole Diameter	P_0	3.90	0.153	4.10	0.161
Centers Line Dimensions Length Direction	P_2	1.95	0.076	2.05	0.080
Carrier Tape Thickness	t	-	-	0.30	0.012
Carrier Tape Width	W	12.00	0.472	12.30	0.484
Flange Diameter	A	178.0	7.008	180.0	7.087
Hub Spindle Hole	C	12.50	0.492	13.50	0.531
Hub Diameter	D_2	20.00	0.788	21.50	0.846
Fixing Tape Width	W_1	9.00	0.354	9.30	0.366
Flange Space Between Flanges	T	16.00	0.629	18.40	0.724
Compartment Length	A_0	2.39	0.094	2.45	0.096
Compartment Width	B_0	7.72	0.304	7.80	0.307



NOTE: 1500 pcs PER REEL