

## 1:4 Clock Fanout Buffer

### Features

- Low-voltage operation
- $V_{DD} = 3.3V$
- 1:4 fanout
- Single-input configurable for LVDS, LVPECL, or LVTTTL
- Four differential pairs of LVPECL outputs
- Drives 50-ohm load
- Low input capacitance
- <4 ns typical propagation delay
- 85 ps typical output-to-output skew
- Industrial versions available
- Available in TSSOP package

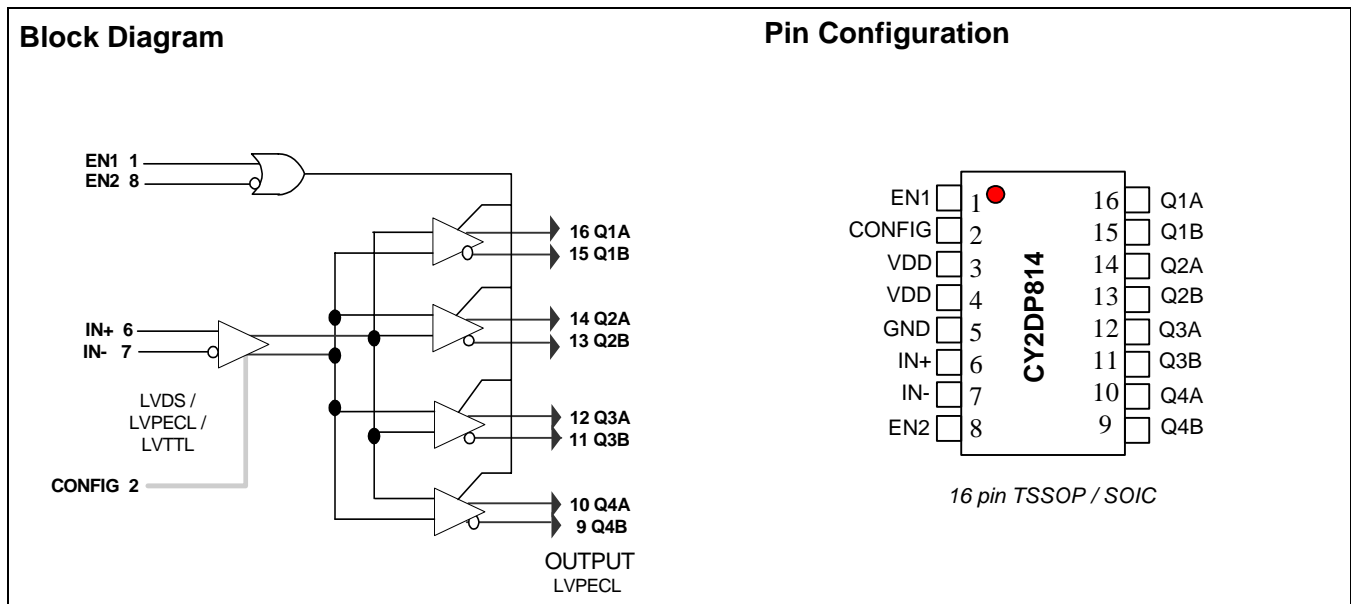
### Description

The Cypress CY2 series of network circuits are produced using advanced 0.35-micron CMOS technology, achieving the industry's fastest logic.

The Cypress CY2DP814 fanout buffer features a single LVDS- or a single LVPECL-compatible input and four LVPECL output pairs.

Designed for data communications clock management applications, the fanout from a single input reduces loading on the input clock.

The CY2DP814 is ideal for both level translations from single-ended to LVPECL and/or for the distribution of LVDS-based clock signals. The Cypress CY2DP814 has configurable input between logic families. The input can be selectable for an LVPECL/LVTTTL or LVDS signal, while the output drivers support LVPECL capable of driving 50-ohm lines.



**Pin Description**

| Pin Number                    | Pin Name  | Pin Standard Interface | Description   |
|-------------------------------|---|------------------------|---|
| 6, 7                          | IN+, IN-  | Configurable           | <b>Differential input pair or single line.</b> LVPECL default. See CONFIG below.  |
| 2                             | CONFIG  | LVTTL/LVCMOS           | <b>Converts inputs</b> from the default LVPECL/LVDS (logic = 0) to LVTTL/LVCMOS (logic = 1). See <i>Figure 6</i> and <i>Figure 7</i> for additional information |
| 1, 8                          | EN1, EN2  | LVTTL/LVCMOS           | <b>Enable/disable logic.</b> See Function Table below for details.  |
| 16, 15, 14, 13, 12, 11, 10, 9 | Q1A, Q1B,<br>Q2A, Q2B,<br>Q3A, Q3B,<br>Q4A, Q4B | LVPECL                 | <b>Differential outputs.</b>  |
| 3, 4                          | V <sub>DD</sub>                                 | POWER                  | <b>Positive supply voltage.</b>   |
| 5                             | GND   | POWER                  | <b>Ground.</b>  |

**Maximum Ratings**<sup>[1, 2]</sup>

Storage Temperature: ..... -65°C to +150°C  
 Ambient Temperature:..... -40°C to +85°C  
 Supply Voltage to Ground Potential  
 (Inputs and V<sub>CC</sub> only)..... -0.3V to 4.6V

Supply Voltage to Ground Potential  
 (Outputs only) ..... -0.3V to V<sub>DD</sub> + 0.3V  
 DC Input Voltage ..... -0.3V to V<sub>DD</sub> + 0.3V  
 DC Output Voltage..... -0.3V to V<sub>DD</sub> + 0.9V  
 Power Dissipation..... 0.75W

**Table 1. EN1 EN2 Function Table**

| Enable Logic |     | Input |     | Outputs |     |
|--------------|-----|-------|-----|---------|-----|
| EN1          | EN2 | IN+   | IN- | QnA     | QnB |
| H            | H   | H     | L   | H       | L   |
| H            | L   | H     | L   | H       | L   |
| L            | L   | H     | L   | H       | L   |
| L            | H   | X     | X   | Z       | Z   |

**Table 2. Input Receiver Configuration for Differential or LVTTTL/LVCMOS**

| CONFIG Pin 2 Binary Value | Input Receiver Family | Input Receiver Type   |
|---------------------------|-----------------------|---|
| 1                         | LVTTTL in LVCMOS      | Single ended, non-inverting, inverting, void of bias resistors. |
| 0                         | LVDS                  | Low voltage differential signaling                              |
|                           | LVPECL                | Low voltage pseudo (positive) emitter coupled logic             |

**Table 3. Function Control of the TTL Input Logic Used to Accept or Invert the Input Signal**

| LVTTTL/LVCMOS INPUT LOGIC |             |                     |        |
|---------------------------|-------------|---------------------|--------|
| Input Condition           | Input Logic | Output Logic Q pins |        |
| Ground                    | IN- Pin 7   |                     |        |
|                           | IN+ Pin 6   | Input               | True   |
| V <sub>CC</sub>           | IN- Pin 7   |                     |        |
|                           | IN+ Pin 6   | Input               | Invert |
| Ground                    | IN+ Pin 6   |                     |        |
|                           | IN- Pin 7   | Input               | Invert |
| V <sub>CC</sub>           | IN+ Pin 6   |                     |        |
|                           | IN- Pin 7   | Input               | True   |

**Table 4. Power Supply Characteristics**

| Parameter        | Description                  | Test Conditions  | Min. | Typ. | Max. | Unit   |
|------------------|------------------------------|--|------|------|------|--------|
| I <sub>CCD</sub> | Dynamic Power Supply Current | V <sub>DD</sub> = Max.<br>Input toggling 50% Duty Cycle, Outputs Loaded                              |      | 1.5  | 2.0  | mA/MHz |
| I <sub>C</sub>   | Total Power Supply Current   | V <sub>DD</sub> = Max.<br>Input toggling 50% Duty Cycle, Outputs Loaded,<br>f <sub>L</sub> = 100 MHz |      | 90   | 100  | mA     |

**Table 5. DC Electrical Characteristics: 3.3V-LVDS Input**

| Parameter       | Description   | Conditions   |                                   | Min.                  | Typ. | Max.                     | Unit |
|-----------------|---|--|-----------------------------------|-----------------------|------|--------------------------|------|
| V <sub>ID</sub> | Magnitude of Differential Input Voltage   |  |                                   | 100                   |      | 600                      | mV   |
| V <sub>IC</sub> | Common-Mode of Differential Input Voltage<br> V <sub>ID</sub>   (min. and max.) |  |                                   | V <sub>ID</sub>   / 2 | 2.4- | ( V <sub>ID</sub>   / 2) | V    |
| I <sub>IH</sub> | Input High Current  | V <sub>DD</sub> = Max.   | V <sub>IN</sub> = V <sub>DD</sub> |                       | ±10  | ±20                      | µA   |
| I <sub>IL</sub> | Input Low Current   | V <sub>DD</sub> = Max.   | V <sub>IN</sub> = V <sub>SS</sub> |                       | ±0   | ±20                      | µA   |
| I <sub>I</sub>  | Input High Current  | V <sub>DD</sub> = Max., V <sub>IN</sub> = V <sub>DD</sub> (max.) |                                   |                       |      | ±20                      | µA   |

**Notes:**

- Stresses greater than those listed under absolute maximum ratings may cause permanent damage to the device. This is intended to be a stress rating only and functional operation of the device at these or any other conditions above those indicated in the operation sections of this specification is not implied. Exposure to absolute maximum rating conditions for extended periods may affect reliability.
- Multiple Supplies: The voltage on any input or I/O pin cannot exceed the power pin during power-up. Power supply sequencing is NOT required.

**Table 6. DC Electrical Characteristics: 3.3V–LVPECL Input**

| Parameter  | Description                    | Condition  |                   | Min. | Typ.     | Max.     | Unit          |
|------------|--------------------------------|--|-------------------|------|----------|----------|---------------|
| $ V_{ID} $ | Differential Input Voltage p-p | Guaranteed Logic High Level                          |                   | 400  |          | 2600     | mV            |
| VCM        | Common-mode Voltage            |  |                   | 1650 |          | 2250     | mV            |
| $I_{IH}$   | Input High Current             | $V_{DD} = \text{Max.}$                               | $V_{IN} = V_{DD}$ |      | $\pm 10$ | $\pm 20$ | $\mu\text{A}$ |
| $I_{IL}$   | Input Low Current              | $V_{DD} = \text{Max.}$                               | $V_{IN} = V_{SS}$ |      | $\pm 10$ | $\pm 20$ | $\mu\text{A}$ |
| $I_I$      | Input High Current             | $V_{DD} = \text{Max.}, V_{IN} = V_{DD}(\text{max.})$ |                   |      |          | $\pm 20$ | $\mu\text{A}$ |

**Table 7. DC Electrical Characteristics: 3.3V–LVTTTL/LVC MOS Input**

| Parameter | Description         | Condition  |                        | Min. | Typ. | Max. | Unit          |
|-----------|---------------------|--|------------------------|------|------|------|---------------|
| $V_{IH}$  | Input High Voltage  | Guaranteed Logic High Level                          |                        | 2    |      |      | V             |
| $V_{IL}$  | Input Low Voltage   | Guaranteed Logic Low Level                           |                        |      |      | 0.8  | V             |
| $I_{IH}$  | Input High Current  | $V_{DD} = \text{Max.}$                               | $V_{IN} = 2.7\text{V}$ |      |      | 1    | $\mu\text{A}$ |
| $I_{IL}$  | Input Low Current   | $V_{DD} = \text{Max.}$                               | $V_{IN} = 0.5\text{V}$ |      |      | -1   | $\mu\text{A}$ |
| $I_I$     | Input High Current  | $V_{DD} = \text{Max.}, V_{IN} = V_{DD}(\text{max.})$ |                        |      |      | 20   | $\mu\text{A}$ |
| $V_{IK}$  | Clamp Diode Voltage | $V_{DD} = \text{Min.}, I_{IN} = -18\text{ mA}$       |                        |      | -0.7 | -1.2 | V             |
| $V_H$     | Input Hysteresis    |  |                        |      | 80   |      | mV            |

**Table 8. DC Electrical Characteristics: 3.3V–LVPECL Output**

| Parameter  | Description                            | Condition  |                          | Min. | Typ. | Max. | Unit |
|------------|--|--|--------------------------|------|------|------|------|
| $ V_{OD} $ | Driver Differential Output Voltage p-p | $V_{DD} = \text{Min.}, V_{IN} = V_{IH} \text{ or } V_{IL}$ | $R_L = 50\text{ ohm}$    | 1000 | -    | 3600 | mV   |
| $ V_{OC} $ | Driver common-mode p-p                 | $V_{DD} = \text{Min.}, V_{IN} = V_{IH} \text{ or } V_{IL}$ | $R_L = 50\text{ ohm}$    | -    | -    | 226  | mV   |
| Rise Time  | Differential 20% to 80%                | CL–10 pF $R_L$ and CL to GND                               | $R_L = 50\text{ ohm}$    | 300  |      | 800  | ps   |
| Fall Time  |  |  |                          |      |      |      |      |
| $V_{OH}$   | Output High Voltage                    | $V_{DD} = \text{Min.}, V_{IN} = V_{IH} \text{ or } V_{IL}$ | $I_{OH} = -12\text{ mA}$ | 2.1  | -    | 3.0  | V    |
| $V_{OL}$   | Output Low Voltage                     | User-defined (see Figure 1)                                |                          | -    | -    |      | V    |
| $I_{OS}$   | Short Circuit Current                  | $V_{DD} = \text{Max.}, V_{OUT} = G_{ND}$                   |                          | -125 | -    | -150 | mA   |

**Table 9. AC Switching Characteristics @ 3.3V  $V_{DD} = 3.3\text{V} \pm 5\%$ , Temperature =  $-40^\circ\text{C}$  to  $+85^\circ\text{C}$** 

| Parameter  | Description   | Conditions               | Min. | Typ.  | Max. | Unit |
|--|---|--------------------------|------|-------|------|------|
| <b>IN [+,-] to Q[A,B] Data &amp; Clock Speed</b> |   |                          |      |       |      |      |
| $t_{PLH}$  | Propagation Delay—Low to High   | $V_{OD} = 100\text{ mV}$ | 3    | 4     | 5    | ns   |
| $t_{PHL}$  | Propagation Delay—High to Low   |                          | 3    | 4     | 5    | ns   |
| $t_{PD}$   | Propagation Delay   |                          | 3    | 4     | 5    | ns   |
| <b>EN [1,2] to Q[A,B] Control Speed</b>          |   |                          |      |       |      |      |
| $t_{PE}$   | Enable (EN) to functional operation   |                          | -    | -     | 6    | ns   |
| $T_{pd}$   | Functional operation to Disable   |                          | -    | -     | 5    | ns   |
| $t_{SK(0)}$                                      | Output Skew: Skew between outputs of the same package (in phase)  |                          | -    | 0.085 | 0.2  | ns   |
| $t_{SK(p)}$                                      | Pulse Skew: Skew between opposite transitions of the same output ( $t_{PHL} - t_{PLH}$ )  |                          | -    | 0.2   | -    | ns   |
| $t_{SK(t)}$                                      | Package Skew: Skew between outputs of different packages at the same power supply voltage, temperature and package type. Same input signal level and output load. | $V_{ID} = 100\text{ mV}$ | -    | -     | 1    | ns   |

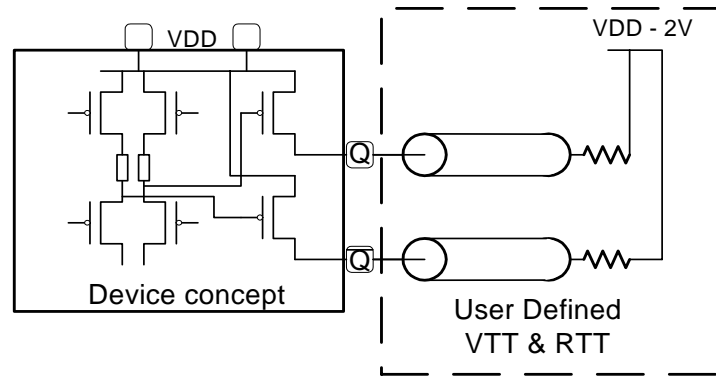
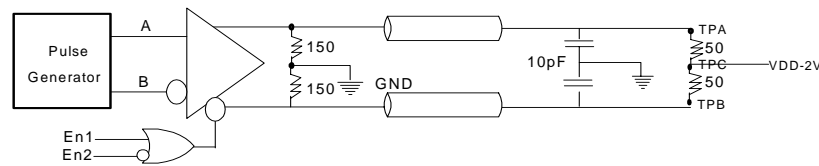


Figure 1. Differential PECL Output

Table 10. High-frequency Parametrics

| Parameter | Description                          | Conditions  | Min. | Typ. | Max. | Unit |
|-----------|--------------------------------------|---|------|------|------|------|
| Fmax      | Maximum Frequency<br>$V_{DD} = 3.3V$ | 50% Duty Cycle $tW(50-50)$<br>Standard Load Circuit   |      |      | 450  | MHz  |
| Fmax(20)  | Maximum Frequency<br>$V_{DD} = 3.3V$ | 20% Duty Cycle $tW(20-80)$<br>LVPECL Input<br>$V_{in} = V_{IH}(\text{Max.})/V_{IL}(\text{Min.})$<br>$V_{out} = V_{OH}(\text{Min.})/V_{OL}(\text{Max.})$ (Limit) |      |      | 175  | MHz  |
| TW        | Minimum Pulse<br>$V_{DD} = 3.3V$     | LVPECL Input<br>$V_{in} = V_{IH}(\text{Max.})/V_{IL}(\text{Min.})$ F = 100 MHz<br>$V_{out} = V_{OH}(\text{Min.})/V_{OL}(\text{Max.})$ (Limit)                   | 900  |      |      | ps   |



Standard Termination

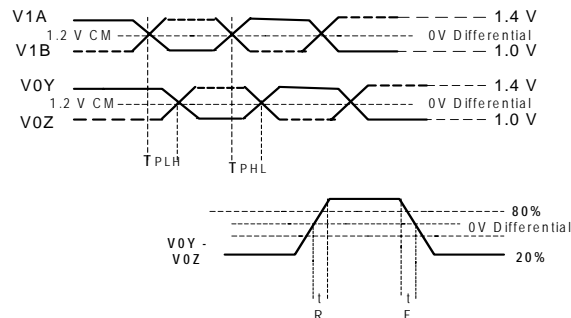


Figure 2. Differential Receiver to Driver Propagation Delay and Driver Transition Time<sup>[3, 4, 5, 6, 7]</sup>

Notes:

3.  $R_L = 50 \text{ ohm} \pm 1\%$ ;  $Z_{line} = 50 \text{ ohm}$
4. CL includes instrumentation and fixture capacitance within 6 mm of the UT.
5. TPA and B are used for prop delay and rise/fall measurements. TPC is used for  $V_{OC}$  measurements only and otherwise connected to  $V_{DD} - 2$ .
6. When measuring  $T_r/T_f$ ,  $t_{pd}$ ,  $V_{OD}$  point TPC is held at  $V_{DD} - 2.0V$ .
7. LVCMOS/LVTTL single-ended input value. Ground either input: when on the B side, non-inversion takes place. If A side is grounded, the signal becomes the complement of the input on B side. See Table 3.

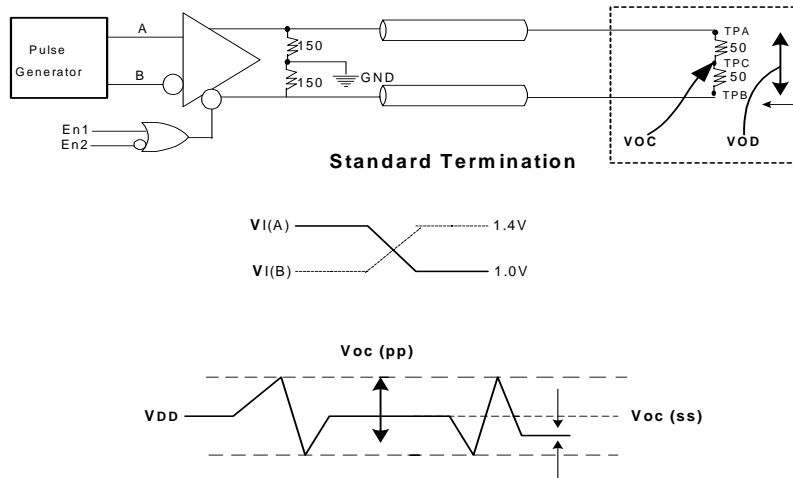


Figure 3. Test Circuit & Voltage Definitions for the Driver Common-mode Output Voltage [3, 4, 5, 7, 8]

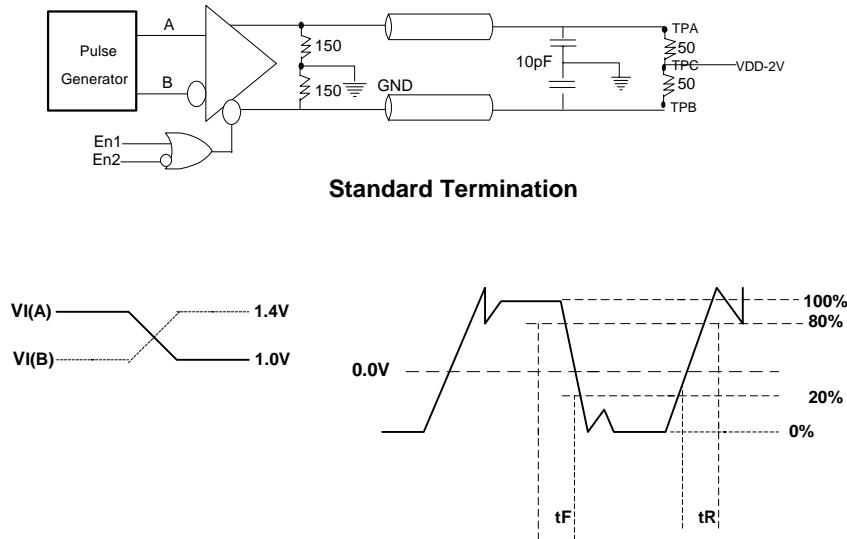


Figure 4. Test Circuit & Voltage Definitions for the Differential Output Signal [3, 4, 5, 6, 7]

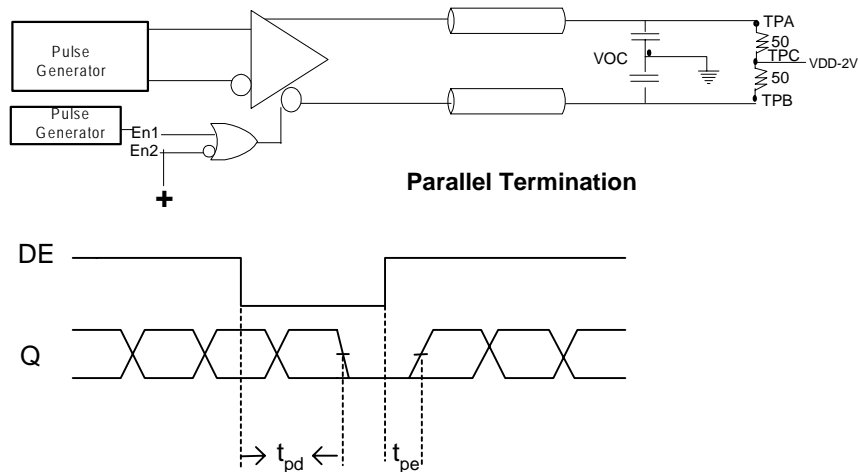


Figure 5. Test Circuit & Voltage Definitions for the Driver Common-Mode Output Voltage [3, 4, 5, 8, 9]

**Notes:**

- 8.  $V_{OC}$  measurement requires equipment with a 3-dB bandwidth of at least 300 MHz.
- 9. All input pulses are supplied by a frequency generator with the following characteristics:  $t_R$  and  $t_F \leq 1$  ns; pulse re-rate = 50 Mpps; pulse width =  $10 \pm 0.2$  ns.

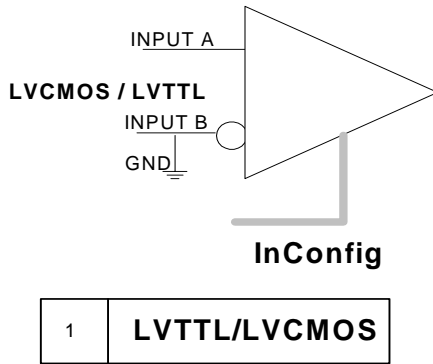


Figure 6. [7]

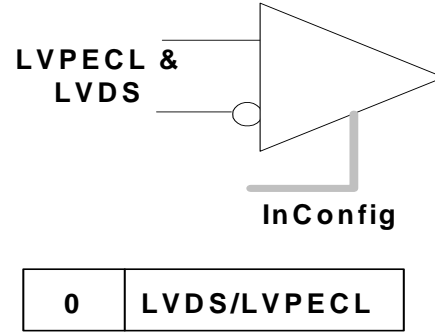


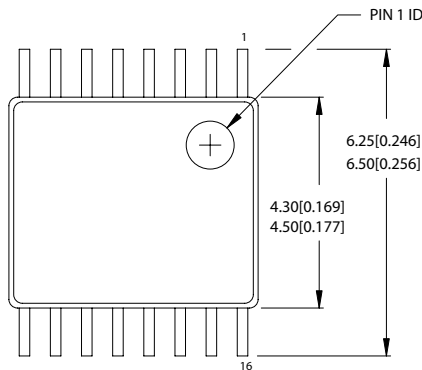
Figure 7. [10]

### Ordering Information

| Part Number      | Package Type               | Product Flow               |
|------------------|----------------------------|----------------------------|
| CY2DP814ZC       | 16-pin TSSOP               | Commercial, 0°C to 70 °C   |
| CY2DP814ZCT      | 16-pin TSSOP–Tape and Reel | Commercial, 0°C to 70 °C   |
| <b>Lead-free</b> |                            |                            |
| CY2DP814ZXC      | 16-pin TSSOP               | Commercial, 0°C to 70 °C   |
| CY2DP814ZXCT     | 16-pin TSSOP–Tape and Reel | Commercial, 0°C to 70 °C   |
| CY2DP814ZXI      | 16-pin TSSOP               | Industrial, –40°C to 85 °C |
| CY2DP814ZXIT     | 16-pin TSSOP–Tape and Reel | Industrial, –40°C to 85 °C |

### Package Drawing and Dimensions

#### 16-lead TSSOP 4.40 mm Body Z16.173

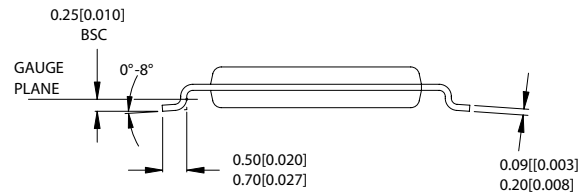
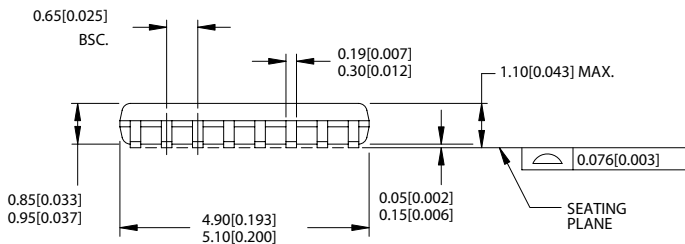


DIMENSIONS IN MM[INCHES] MIN.  
MAX.

REFERENCE JEDEC MO-153

PACKAGE WEIGHT 0.05 gms

| PART #   |                |
|----------|----------------|
| Z16.173  | STANDARD PKG.  |
| ZZ16.173 | LEAD FREE PKG. |



51-85091-\*A

All product and company names mentioned in this document are the trademarks of their respective holders.

**Note:**

10. LVPECL or LVDS differential input value.



Document History Page

| Document Title: ComLink™Series CY2DP814 1:4 Clock Fanout Buffer |         |            |                 |   |
|---|---------|------------|-----------------|---|
| Document Number: 38-07060                                       |         |            |                 |   |
| REV.  | ECN No. | Issue Date | Orig. of Change | Description of Change   |
| **  | 10785   | 06/07/01   | IKA             | Convert from IMI to Cypress   |
| *A  | 115610  | 07/02/02   | CTK             | Range of VCM  |
| *B  | 122746  | 12/15/02   | RBI             | Added power-up requirements to maximum ratings information.                                 |
| *C  | 382376  | See ECN    | RGL             | Added Lead-free device for TSSOP commercial<br>Removed pruned parts<br>Added typical values |
| *D  | 403374  | See ECN    | RGL             | Added Lead-free for TSSOP Industrial  |