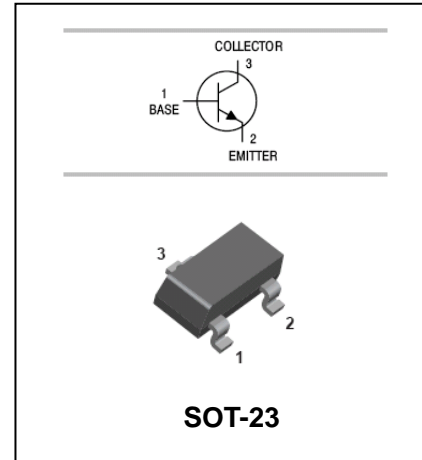


## NPN General Purpose Amplifier

## MMBT2369

### FEATURES

- Epitaxial planar die construction.
- Ultra-small surface mount package.



### APPLICATIONS

- Use as a medium power amplifier.

### ORDERING INFORMATION

Type No.	Marking	Package Code
MMBT2369	M1J	SOT-23

### MAXIMUM RATING @ Ta=25°C unless otherwise specified

Symbol	Parameter	Value	Unit
$V_{CBO}$	Collector-Base Voltage	40	V
$V_{CEO}$	Collector-Emitter Voltage	15	V
$V_{EBO}$	Emitter-Base Voltage	4.5	V
$I_C$	Collector Current -Continuous	200	mA
$P_C$	Collector Dissipation	300	mW
$T_j, T_{stg}$	Junction and Storage Temperature	-55to+150	°C

### ELECTRICAL CHARACTERISTICS @ Ta=25°C unless otherwise specified

Parameter	Symbol	Test conditions	MIN	MAX	UNIT
Collector-base breakdown voltage	$V_{(BR)CBO}$	$I_C=10\mu A, I_E=0$	40		V
Collector-emitter breakdown voltage	$V_{(BR)CEO}$	$I_C=10mA, I_B=0$	15		V
Emitter-base breakdown voltage	$V_{(BR)EBO}$	$I_E=10\mu A, I_C=0$	4.5		V
Collector cut-off current	$I_{CBO}$	$V_{CB}=20V, I_E=0$		0.4	$\mu A$
DC current gain	$h_{FE}$	$V_{CE}=1.0V, I_C=10mA$	40	120	
		$V_{CE}=2.0V, I_C=100mA$	20		
Collector-emitter saturation voltage	$V_{CE(sat)}$	$I_C=10mA, I_B=1.0mA$		0.25	V
Output capacitance	$C_{obo}$	$V_{CE}=5.0V, I_E=0, f=1.0MHz$		4.0	pF

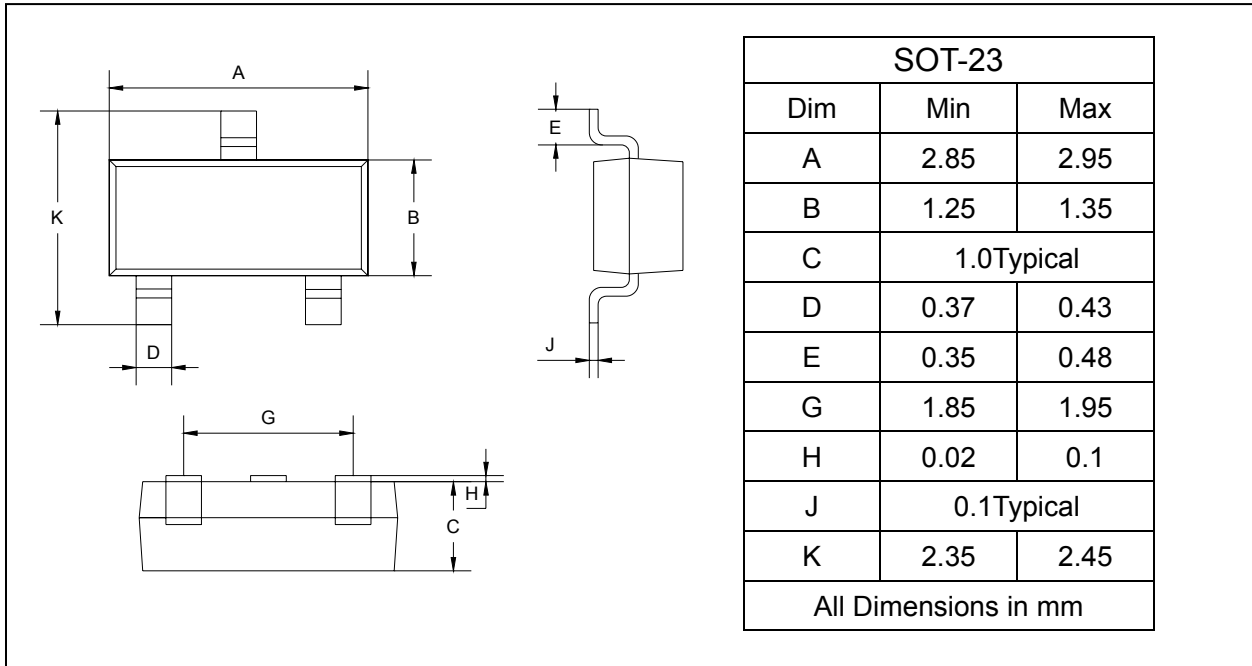
## NPN General Purpose Amplifier

## MMBT2369

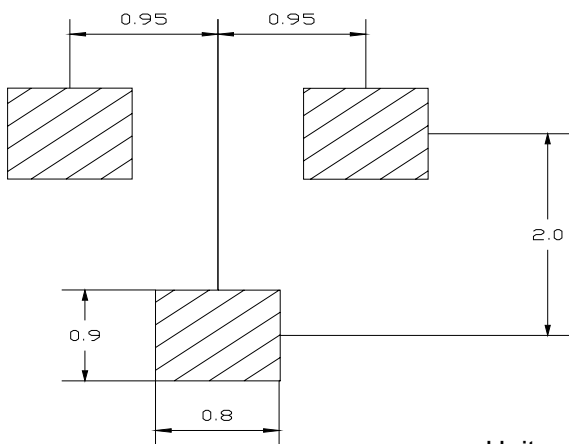
### PACKAGE OUTLINE

Plastic surface mounted package

SOT-23



### SOLDERING FOOTPRINT



Unit: mm

### PACKAGE INFORMATION

Device	Package	Shipping
MMBT2369	SOT-23	3000/Tape&Reel