

TSC 80251A1

**Extended 8-bit Microcontroller
with Analog Interfaces**

Datasheet – 1996

Table of Contents

General Introduction

Extended 8-bit Microcontroller with Analog Interfaces 1.

Section I: Introduction to TSC80251A1

Chapter 1: Core Features I. 1.1

Chapter 2: Product Features I. 2.1

Chapter 3: Block Diagram I. 3.1

Chapter 4: Pin Description I. 4.1

Section II: Design Information

Chapter 1: Configuration and Memory Mapping II. 1.1

1.1. Introduction II. 1.1

1.2. Configuration II. 1.1

1.2.1. Page Mode and Wait States II. 1.1

1.2.2. External Memory Signals II. 1.4

1.3. Memory Mapping II. 1.6

1.3.1. Configuration Bytes II. 1.6

1.3.2. Program/Code Memory II. 1.7

1.3.3. Data Memory II. 1.8

1.3.4. Special Function Registers II. 1.9

Chapter 2: Parallel I/O Ports II. 2.1

2.1. Introduction II. 2.1

2.2. I/O Configurations II. 2.3

2.3. Port 1 and Port 3 II. 2.3

2.4. Port 0 and Port 2 II. 2.4

2.5. Read–Modify–Write Instructions II. 2.5

2.6. Quasi–Bidirectional Port Operation II. 2.6

2.7. Port Loading II. 2.7

2.8. External Memory Access II. 2.7

Chapter 3: Timers/Counters II. 3.1

3.1. Introduction II. 3.1

3.2. Timer/Counter Operations II. 3.2

3.3. Timer 0 II. 3.3

3.3.1. Mode 0 (13–bit Timer) II. 3.3

3.3.2. Mode 1 (16–bit Timer) II. 3.4

3.3.3. Mode 2 (8–bit Timer with Auto–Reload) II. 3.4

3.3.4. Mode 3 (Two 8–bit Timers) II. 3.5

3.4. Timer 1 II. 3.5

3.4.1. Mode 0 (13–bit Timer) II. 3.6

3.4.2. Mode 1 (16–bit Timer) II. 3.6

3.4.3. Mode 2 (8–bit Timer with Auto–Reload) II. 3.6

3.4.4. Mode 3 (Halt) II. 3.6

3.5. Registers II. 3.7

Chapter 4: Serial I/O Port II. 4.1

4.1. Introduction II. 4.1

4.2. Modes of Operation	II. 4.3
4.3. Synchronous Mode (Mode 0)	II. 4.3
4.3.1. Transmission (Mode 0)	II. 4.4
4.3.2. Reception (Mode 0)	II. 4.4
4.4. Asynchronous Modes (Modes 1, 2 and 3)	II. 4.4
4.4.1. Transmission (Modes 1, 2 and 3)	II. 4.5
4.4.2. Reception (Modes 1, 2 and 3)	II. 4.5
4.5. Framing Bit Error Detection (Modes 1, 2 and 3)	II. 4.5
4.6. Overrun Error Detection (Modes 1, 2 and 3)	II. 4.5
4.7. Multiprocessor Communication (Modes 2 and 3)	II. 4.6
4.8. Automatic Address Recognition	II. 4.6
4.8.1. Given Address	II. 4.7
4.8.2. Broadcast Address	II. 4.8
4.8.3. Reset Addresses	II. 4.8
4.9. Baud Rates	II. 4.8
4.9.1. Internal Baud Rate Generator	II. 4.8
4.9.2. Baud Rate for Mode 0	II. 4.8
4.9.3. Transmission Clock Selection	II. 4.9
4.9.4. Baud Rate for Modes 1 and 3	II. 4.9
4.9.5. Baud Rate for Mode 2	II. 4.11
4.10. Registers	II. 4.12
Chapter 5: Pulse Measurement Unit	II. 5.1
5.1. Introduction	II. 5.1
5.2. Description	II. 5.1
5.3. Registers	II. 5.4
Chapter 6: Event and Waveform Controller	II. 6.1
6.1. Introduction	II. 6.1
6.2. Features	II. 6.1
6.3. PCA Mode	II. 6.2

6.3.1. Timers/Counters	II. 6.2
6.3.2. Compare/Capture Modules	II. 6.3
6.4. Enhanced PCA mode	II. 6.10
6.4.1. Timers/Counters	II. 6.11
6.5. Registers	II. 6.13
Chapter 7: 8-bit Analog to Digital Converter	II. 7.1
7.1. Introduction	II. 7.1
7.2. Description	II. 7.1
7.3. Registers	II. 7.3
Chapter 8: Monitoring and Power Management	II. 8.1
8.1. Introduction	II. 8.1
8.2. Power-On/Off Reset	II. 8.1
8.3. Power-Fail Detector	II. 8.2
8.4. Power-Off Flag	II. 8.4
8.5. Clock Prescaler	II. 8.4
8.6. Idle Mode	II. 8.5
8.6.1 Entering Idle Mode	II. 8.5
8.6.2 Exiting Idle Mode	II. 8.5
8.7. Power-Down Mode	II. 8.6
8.7.1 Entering Power-Down Mode	II. 8.7
8.7.2 Exiting Power-Down Mode	II. 8.7
8.8. Registers	II. 8.8
Chapter 9: Interrupt System	II. 9.1
9.1. Introduction	II. 9.1
9.2. Interrupt System Priorities	II. 9.2

9.3. External Interrupts	II. 9.4
9.4. Registers	II. 9.5

Section III: Electrical and Mechanical Information

Chapter 1: DC Characteristics	III. 1.1
Chapter 2: AC Characteristics	III. 2.1
Chapter 3: ADC Characteristics	III. 3.1
Chapter 4: EPROM Programming	III. 4.1
4.1. Programming modes	III. 4.1
4.2. Verify algorithm	III. 4.3
Chapter 5: TSC80C251A1: Packages	III. 5.1
5.1. PLCC 44	III. 5.1
5.1.1. Mechanical Outline	III. 5.1
5.1.2. Pin Assignment	III. 5.2
5.2. CQPJ 44 with Window	III. 5.3
5.2.1. Mechanical Outline	III. 5.3
5.2.2. Pin Assignment	III. 5.4
5.3. TQFP 44	III. 5.5
5.3.1. Mechanical Outline	III. 5.5
5.3.2. Pin Assignment	III. 5.6

Section IV: Ordering Information

Ordering Information **IV. 1.1**

Section V: TEMIC Addresses

Sales Offices Addresses **V. so.1**

Representatives Addresses **V. rep.1**

Distributors Addresses **V. dist.1**

List of figures

Section I: Introduction to TSC80251A1

Chapter 3: Block Diagram

Figure 3.1. TSC80251A1 block diagram I. 3.1

Chapter 4: Pin Description

Figure 4.1. TSC80251A1 pin description I. 4.1

Section II: Design Information

Chapter 1: Configuration and Memory Mapping

Figure 1.1. Bus structure in non–page mode and page mode II. 1.2

Figure 1.2. External bus cycle: code fetch, non–page mode II. 1.2

Figure 1.3. External bus cycle: code fetch, page mode II. 1.3

Figure 1.4. External bus cycle: code fetch with one RD#/PSEN# wait state in non–page mode II. 1.3

Figure 1.5. Internal/external memory segments (RD1:0 = 00) II. 1.4

Figure 1.6. Internal/external memory segments (RD1:0 = 01) II. 1.5

Figure 1.7. Internal/external memory segments (RD1:0 = 10) II. 1.5

Figure 1.8. Internal/external memory segments (RD1:0 = 11) II. 1.6

Figure 1.9. Programmable Memory Mapping II. 1.7

Figure 1.10. Data Memory Mapping II. 1.8

Figure 1.11. Configuration byte 0 II. 1.11

Figure 1.12. Configuration byte 1 II. 1.12

Chapter 2: Parallel I/O Ports

Figure 2.1. Port 1 and Port 3 structure II. 2.4

Figure 2.2. Port 0 structure II. 2.4

Figure 2.3. Port 2 structure II. 2.5

Figure 2.4. Internal pull–up configurations II. 2.6

Chapter 3: Timers/Counters

Figure 3.1. Timer/Counter x (x = 0 or 1) in mode 0 and mode 1 II. 3.3

Figure 3.2. Timer/Counter x (x = 0 or 1) in mode 1 II. 3.4

Figure 3.3. Timer/Counter x (x = 0 or 1) in mode 2 II. 3.4

Figure 3.4. Timer/Counter in mode 3 : Two 8-bit Counters II. 3.5

Figure 3.5. TCON register II. 3.7

Figure 3.6. TMOD register II. 3.8

Chapter 4: Serial I/O Port

Figure 4.1. Serial Port block diagram II. 4.2
Figure 4.2. Mode 0 timings II. 4.3
Figure 4.3. Data frames (Modes 1, 2 and 3) II. 4.5
Figure 4.4. Overrun Error (Modes 1, 2 and 3) II. 4.6
Figure 4.5. Clock transmission sources in mode 0 II. 4.9
Figure 4.6. Timer 1 as Baud Rate Generator in modes 1 and 3 II. 4.10
Figure 4.7. Internal Baud Rate Generator in modes 1 and 3 II. 4.10
Figure 4.8. Baud Rate Generator selection II. 4.11
Figure 4.9. UART in mode 2 II. 4.11
Figure 4.10. BDRCON register II. 4.12
Figure 4.11. BRL register II. 4.13
Figure 4.12. SADDR register II. 4.13
Figure 4.13. SADEN register II. 4.13
Figure 4.14. SBUF register II. 4.13
Figure 4.15. SCON register II. 4.14

Chapter 5: Pulse Measurement Unit

Figure 5.1. PMU block diagram II. 5.1
Figure 5.2. PMU module n (n = 0, 1, 2) II. 5.2
Figure 5.3. PMU measurement II. 5.2
Figure 5.4. Pulse measurement polarity II. 5.3
Figure 5.5. PMCON register II. 5.4
Figure 5.6. PMPER0 register II. 5.4
Figure 5.7. PMPER1 register II. 5.5
Figure 5.8. PMPER2 register II. 5.5
Figure 5.9. PMSCAL0 register II. 5.5
Figure 5.10. PMSCAL1 register II. 5.5
Figure 5.11. PMSCAL2 register II. 5.5
Figure 5.12. PMSTAT register II. 5.6
Figure 5.13. PMU register II. 5.7
Figure 5.14. PMWID0 register II. 5.7
Figure 5.15. PMWID1 register II. 5.8
Figure 5.16. PMWID2 register II. 5.8

Chapter 6: Event and Waveform Controller

Figure 6.1. EWC Timer/Counter in PCA mode II. 6.3
Figure 6.2. PCA 16-bit Capture Mode II. 6.5
Figure 6.3. PCA Software Timer and High-Speed Output Modes II. 6.6

Figure 6.4. PCA Watchdog Timer mode	II. 6.8
Figure 6.5. PWM mode	II. 6.9
Figure 6.6. PWM variable duty cycle	II. 6.10
Figure 6.7. EWC Timer/Counter in EPCA mode	II. 6.12

Chapter 7: 8-bit Analog to Digital Converter

Figure 7.1. Analog Digital Converter structure	II. 7.1
Figure 7.2. ADAT register	II. 7.3
Figure 7.3. ADCON register	II. 7.3

Chapter 8: Power Monitoring and Management

Figure 8.1. Behavior of the reset when the Power Supply is switched on	II. 8.1
Figure 8.2. Behavior of the reset when the Power Supply is switched off	II. 8.2
Figure 8.3. Power Management timings	II. 8.3
Figure 8.4. Block diagram of the digital filter	II. 8.3
Figure 8.5. Waveforms of the VDD filtering	II. 8.4
Figure 8.6. Block diagram of the on-chip oscillator	II. 8.5
Figure 8.7. Symbolic of the on-chip oscillator	II. 8.5
Figure 8.8. PCON register	II. 8.8
Figure 8.9. PFILT register	II. 8.9
Figure 8.10. POWM register	II. 8.9
Figure 8.11. CKRL register	II. 8.10

Chapter 9: Interruption System

Figure 9.1. Minimum pulse timings.	II. 9.4
Figure 9.2. IE0 register	II. 9.5
Figure 9.3. IE1 register	II. 9.6
Figure 9.4. IPH0 register	II. 9.7
Figure 9.5. IPH1 register	II. 9.8
Figure 9.6. IPL0 register	II. 9.9
Figure 9.7. IPL1 register	II. 9.10

Section III: Electrical and Mechanical Information

Chapter 1: DC Characteristics

Figure 1.1. IPD Test Condition, Power-Down mode	III. 1.3
Figure 1.2. IDL Test Condition, Idle mode	III. 1.4
Figure 1.3. IDD Test Condition, Active mode	III. 1.4

Chapter 2: AC Characteristics

Figure 2.1. External Instruction Bus Cycle in non–page mode	III. 2.3
Figure 2.2. External Data Read Cycle in non–page mode	III. 2.3
Figure 2.3. External Write Data Bus Cycle in non–page mode	III. 2.4
Figure 2.4. External Instruction Bus Cycle in page mode	III. 2.4
Figure 2.5. External Read Data Bus Cycle in page mode	III. 2.5
Figure 2.6. External Write Data Bus Cycle in page mode	III. 2.5
Figure 2.7. Serial Port Waveform – Shift Register mode	III. 2.6

Chapter 3: ADC Characteristics

Figure 3.1. A/D conversion characteristic	III. 3.2
---	----------

Chapter 4: EPROM Programming

Figure 4.1. Setup for EPROM programming	III. 4.1
Figure 4.2. Timings for EPROM programming	III. 4.2
Figure 4.3. Setup for EPROM verification	III. 4.3
Figure 4.4. Timings for EPROM verification	III. 4.4

Chapter 5: Packages

Figure 5.1. Plastic Lead Chip Carrier	III. 5.1
Figure 5.2. Ceramic Quad Pack J	III. 5.3
Figure 5.3. Thin Quad Flat Pack (Plastic)	III. 5.5

List of tables

Section I: Introduction to TSC80251A1

Chapter 4: TSC80251A1 Pin Description

Table 4.1. TSC80251A1 pin description	I. 4.2
---	--------

Section II: Design Information

Chapter 1: Configuration and Memory Mapping

Table 1.1. Minimum Times to fetch two bytes of code	II. 1.7
Table 1.2. SFR addresses and Reset values	II. 1.10

Chapter 2: Parallel I/O Ports

Table 2.1. Port pin descriptions	II. 2.1
Table 2.2. Instructions for external data moves	II. 2.8

Chapter 3: Timers/Counters

Table 3.1. Timer/Counter SFRs	II. 3.1
Table 3.2. External signals	II. 3.2

Chapter 4: Serial I/O Port

Table 4.1. Serial Port signals	II. 4.1
Table 4.2. Serial Port SFRs	II. 4.1

Chapter 6: Event and Waveform Controller

Table 6.1. PCA module modes	II. 6.4
-----------------------------------	---------

Chapter 8: Power Monitoring and Management

Table 8.1. Pin conditions in various modes	II. 8.6
--	---------

Chapter 9: Interruption System

Table 9.1. Interrupt system signals	II. 9.1
Table 9.2. Interrupt System SFRs	II. 9.2
Table 9.3. Level of Priority	II. 9.3
Table 9.4. Interrupt priority within level	II. 9.3

Section III: Electrical and Mechanical Information

Chapter 1: DC Characteristics

Table 1.2. DC characteristics	III. 1.1
-------------------------------------	----------

Chapter 2: AC Characteristics

Table 2.1. AC characteristics (Capacitive Loading = 50 pF) III. 2.1

Chapter 3: ADC Characteristics

Table 3.1. A/D Converter electrical characteristics III. 3.1

Chapter 4: EPROM Programming

Table 4.1. EPROM programming configuration III. 4.1

Table 4.2. EPROM verifying configuration III. 4.3

Table 4.3. EPROM programming & verification characteristics
(TA = 21 to 275C ; VCC = 5V +/- 0.25V ; VSS= 0) III. 4.4

Chapter 5: Packages

Table 5.1. PLCC Chip size III. 5.1

Table 5.2. PLCC Pin assignment III. 5.2

Table 5.3. CQPJ Chip size III. 5.3

Table 5.4. CQPJ Pin assignment III. 5.4

Table 5.5. TQFP Chip size III. 5.5

Table 5.6. TQFP Pin assignment III. 5.6

General Introduction

Extended 8-bit Microcontroller with Analog Interfaces

The TSC80251A1 products are derivatives of the TEMIC Application Specific Microcontroller family based on the extended 8-bit C251 Architecture described below.

This family of products are tailored to Microcontroller applications requiring analog interface structures.

Three major peripheral blocks have been implemented to provide this facility to the designer:

- Analog to Digital Converter: 4 inputs at 8-bit resolution.
- Pulse Measurement Unit (PMU): 3 modules used to interface to smart analog sensors.
- Event and Waveform Controller (EWC): 5 programmable Counters e.g. for Pulse Width Modulation (PWM) or Compare/Capture functions.

1.1. Application focus

Typical applications for these products are CD-ROM, Card or Barcode readers, Monitors, Car Navigation Systems, Airbag and Brake Systems, as well as all kinds of Industrial Control and Measurement Equipment. With the high instruction throughput, the TSC80251A1 products are focussing on all high-end 8-bit to 16-bit applications. They are also well suited to systems where a lower operating frequency is needed to reduce power consumption or Radio Frequency Interference (RFI), while maintaining a high level of CPU-power.

1.2. C251 Architecture

The C251 Architecture at its lowest performance level, is Binary Code compatible with the 80C51 Architecture. Due to a 3-stage Instruction Pipeline, the CPU-Performance is increased by up to 5 times, using existing 80C51 code without any modification.

Using the new C251 Instruction Set, the performance will be increased by up to 15 times, at the same clock rate.

This performance enhancement is based on the 16-bit instruction bus and additional internal 8 and 16-bit data busses. The 24-bit address bus will allow an extension of the address space up to 16 Mbytes for future derivatives.

Programming flexibility and C-code efficiency are both increased by the Register-based Architecture, the 64-Kbyte extended stack space, combined with the new Instruction Set.

Combining the above features of the C251 core, the final code size could be reduced by a factor of 3, compared to an 80C51 implementation.

All technical information in this document about core features are related to the core revision A (A-stepping). A new core revision, B/C (B-stepping) is presently in preparation.

Both versions are upward compatible, so that no problem will appear if an A-stepping product is replaced by a B-stepping one.

The major differences are some additional features in the configuration bytes and a modified emulator interface which will not affect existing application.

A new document will be released as soon as the first TSC80251A1 product will be available in revision C.

1.3. TSC80251A1 Products

The TSC80251A1 is available as a ROMless version (TSC80251A1) or with on-chip Mask Programmable ROM (TSC83251A1). The TSC87251A1 is an EPROM version or OTPROM (One Time Programmable) compatible with the Mask ROM version.

The standard production packages are 44 pins PLCC or TQFP.

The products can be delivered as 12 or 16 MHz versions at 5 Volts and in all major temperature ranges.

1.4. TSC80251A1 Documentation and Tools

The following documentation and Starter tools are available to allow the full evaluation of the TEMIC TSC80251A1 product range:

- “TSC80251A1 Microcontroller”
Contains all information about the A1 derivatives (Block diagram, Memory mapping, Ports, Peripheral description, Electrical Mechanical and Ordering Information...).
- “TSC80251 Programmer’s Guide”
Contains all information for the programmer.
(Architecture, Instruction Set, Programming, Development tools)
- “TSC80251 Design Guide”
Contains a summary of available Application Notes for an easier usage of the TSC80251 and its major peripherals.
- “TSC80251A1 Starter Kit”
This kit enables the TSC80251A1 to be evaluated by the designer.
It contains the following:
 - C-Compiler (limited to 2 Kbytes of code)
 - Assembler
 - Linker
 - TSC80251A1 Simulator
 - Optionally TSC80251A1 Evaluation Board with ROM-MonitorPlease visit our WWW for updated versions in ZIP format.
- “TSC80251A1 Development Tools”
See chapter ”Development Tools” in the Programmer’s Guide” (Keil, Tasking, Hitex, Metalink, Nohau)
- World Wide Web
Please contact our WWW for possible updated information at <http://www.temic.de>
- TSC80251 e-mail hotline: C251@temic.fr

Section I

Introduction to TSC80251A1

Core Features

Based on the extended 8-bit C251 Architecture, the TSC80251A1 includes a complete set of new or improved C51 compatible peripherals as well as a 4 channels 8-bit A/D converter for communication with the analog environment.

The key features of the new C251 Architecture are:

- Register-based Architecture:
 - 40-byte Register File
 - Registers accessible as Bytes, Words, and Double Word.
- 3-stage instruction pipeline
- Enriched Instruction Set
 - 16-bit and 32-bit arithmetic and logic instructions
 - Compare and conditional jump instructions
 - Expanded set of Move instructions
- Reduced Instruction Set
 - 189 generic instructions
 - Free space for additional instructions in the future
 - Additionally all 80C51 instructions are usable in binary mode
- 16-bit internal code fetch
- 64 Kbytes extended stack space
- Maximum addressable memory 16 Mbytes

The benefits of this new architecture are:

- 5 times 80C51 performances in binary mode (80C51 binary code compatibility)
- 15 times 80C51 performances in source mode (full architecture performance)
- Up to a factor 3 of code size reduction (when a C for 80C51 program is recompiled in C251 language)
- Reduction of RFI and power consumption (reduced operating frequency)
- Complete System Development Support
 - Compatible with existing tools
 - New tools available: Compiler, Assembler, Debugger, ICE
- Efficient C language support

Product Features

- 1 Kbyte of internal RAM
- TSC83251A1: 24 Kbytes of on-chip masked ROM
- TSC87251A1: 24 Kbytes of internal programmable ROM (OTP or UV erasable in window package)
- TSC80251A1: ROMless version
- External memory space (Code/Data): 256 Kbytes
- Four 8-bit parallel I/O Ports (Ports 0, 1, 2 and 3 of the standard 80C51)
- Two 16-bit Timers/Counters (Timers 0 and 1 of the standard 80C51)
- Serial I/O Port : full duplex UART (80C51 compatible)
- Three PMU: Pulse Measurement Unit for smart analog interface

For each of the three modules:

- 8-bit prescaler
- 8-bit Timer for period and width measurements (duty cycle)
- The measurement can start either on the rising or on the falling edge
- One interrupt
- Only one port line is used
- EWC: Event and Waveform Controller
 - High-speed output
 - Compare/Capture inputs
 - PWM: Pulse Width Modulator
 - Watchdog Timer capabilities
 - Compatible with PCA: Programmable Counter Array (5 x 16-bit modules)
- 8-bit Analog to Digital Converter
 - 4 channels
 - Conversion time: 600 clock periods (37.5 μ s at 16 MHz)
- Power Management
 - Power-On reset (integrated on the chip)
 - Power-Off flag (cold and warm resets)
 - Power-Fail detector
 - Power consumption reduction
 - Software programmable system clock
 - Idle and Power-Down modes
- Power Supply: 5V \pm 10%
- Up to 16 MHz operation and three temperature ranges(*):
 - Commercial (0 to 70°C)
 - Industrial (-40 to +85°C)
 - Automotive (-40 to +125°C)
- Packages: PLCC44, CQPJ44 (window) and TQFP44(**)

*Please contact your sales office for availability of speed options

** Please contact your sales office for TQFP availability

Block Diagram

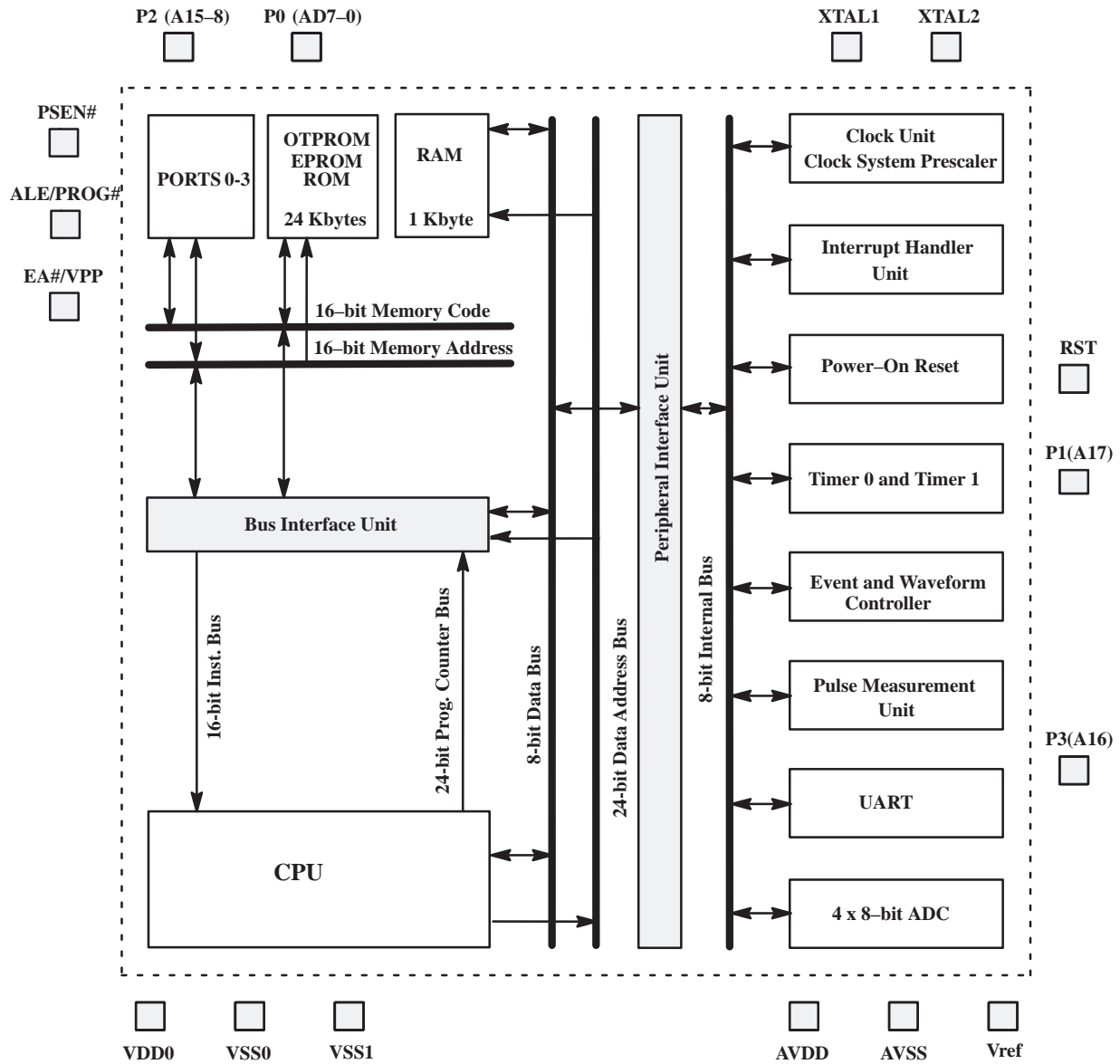


Figure 3.1. TSC80251A1 block diagram

Pin Description

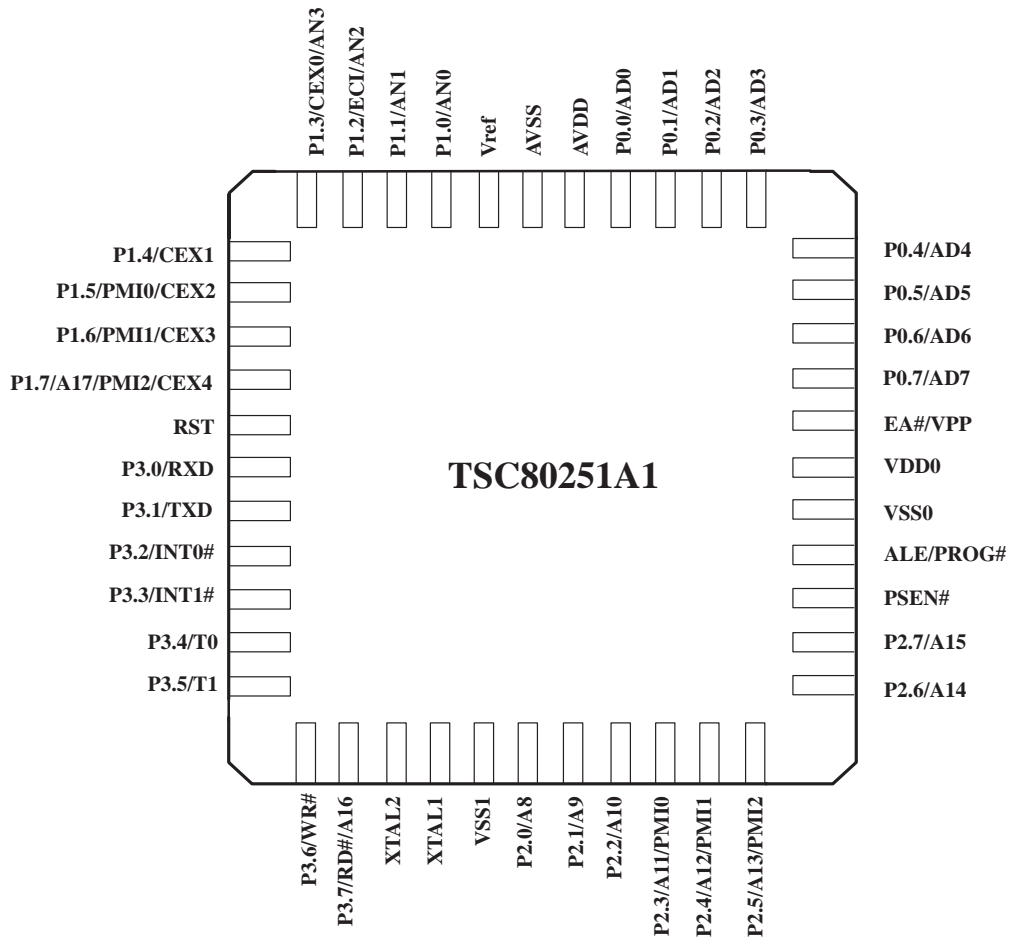


Figure 4.1. TSC80251A1 pin description

Table 4.1. TSC80251A1 pin description

Pin	Type	Description
P0.0:7	I/O	<p>Port 0 This is an 8-bit open-drain bidirectional I/O port. Port 0 pins that have 1s written to them float and can be used as high-impedance inputs. It is also Address/Data lines AD0:7, which are multiplexed lower address lines and data lines for external memory. External pull-ups are required during program verification.</p>
P1.0:7	I/O	<p>Port 1 This is an 8-bit bidirectional I/O port. It receives the low-order address byte during EPROM programming and verification. It serves also the functions of various special features: P1.0 AN0 : Analog Input 0, P1.1 AN1 : Analog input 1, P1.2 ECI : EWC External Clock input. AN2 : Analog input 2, P1.3 CEX0 : EWC module 0 Capture input/PWM output. AN3 : Analog input 3, P1.4 CEX1 : EWC module 1 Capture input/PWM output, P1.5 PMI0 : Pulse Measurement input 0, CEX2 : EWC module 2 Capture input/PWM output. P1.6 EAD6 : External Address line 6, PMI1 : Pulse Measurement input 1, CEX3 : EWC module 3 Capture input/PWM output. P1.7 A17 : Address line for the 256-Kbyte memory space depending on the byte CONFIG0 (See NO TAG), PMI2 : Pulse Measurement input 2, CEX4 : EWC module 4 Capture input/PWM output.</p>
P2.0:7	I/O	<p>Port 2 This is an 8-bit bidirectional I/O port with internal pull-ups. It is also Address lines A8:15, which are upper address lines for external memory.</p>
P3.0:7	I/O	<p>Port 3 This is an 8-bit bidirectional I/O port with internal pull-ups. It receives the high-order address bits during EPROM programming and verification. It serves also the functions of various special features: P3.0 RXD : Serial Port Receive Data input. P3.1 TXD : Serial Port Transmit Data output. P3.2 INT0# : External Interrupt 0. P3.3 INT1# : External Interrupt 1. P3.4 T0 : Timer 0 external clock input. P3.5 T1 : Timer 1 external clock input. P3.6 WR# : Write signal for external access. P3.7 A16 : Address line for 128-Kbyte and 256-Kbyte memory space depending on the byte CONFIG0, RD# : Read signal for external access, depending on the byte CONFIG0.</p>

Pin	Type	Description
ALE/PROG#	I/O	Address Latch Enable/Program Pulse It signals the start of an external bus cycle and indicates that valid address information is available on lines A15:8 and AD7:0. An external latch can use ALE to demultiplex the address from address/data bus. It is also used as the Program Pulse input PROG#, during EPROM programming.
PSEN#	O	Program Store Enable/Read signal output This output is asserted for a memory address range that depends on bits RD0 and RD1 in configuration byte CONFIG0.
EA#/VPP	I	External Access Enable/Programming Supply Voltage This input directs program memory accesses to on-chip or off-chip code memory. For EA# = 0, all program memory accesses are off-chip. For EA# = 1, an access is on-chip OTPROM/EPROM/ROM if the address is within the range of the on-chip OTPROM/EPROM/ROM; otherwise the access is off-chip. The value of EA# is latched at reset. For devices without ROM on-chip, EA# must be strapped to ground. It receives also the Programming Supply Voltage VPP during EPROM programming operation.
Vref	I	Voltage reference for the Analog to Digital Converter
VSS0	GND	Digital Ground
VDD0	PWR	Digital Supply Voltage
VSS1	GND	Digital Ground
AVSS	GND	Analog Ground
AVDD	PWR	Analog Supply Voltage
RST	I	Reset input to the chip Holding this pin high for 64 oscillator periods while the oscillator is running resets the device. The Port pins are driven to their reset conditions when a voltage greater than V_{IH1} is applied, whether or not the oscillator is running. This pin has an internal pull-down resistor which allows the device to be reset by connecting a capacitor between this pin and VDD0. Asserting RST when the chip is in Idle mode or Power-Down mode returns the chip to normal operation.
XTAL1	I	Input to the on-chip inverting oscillator amplifier To use the internal oscillator, a crystal/resonator circuit is connected to this pin. If an external oscillator is used, its output is connected to this pin. XTAL1 is the clock source for internal timing.
XTAL2	O	Output of the on-chip inverting oscillator amplifier To use the internal oscillator, a crystal/resonator circuit is connected to this pin. If an external oscillator is used, leave XTAL2 unconnected.

Section II

Design Information

Configuration and Memory Mapping

1.1. Introduction

The C251 Architecture provides generic configuration and memory addressing capabilities. However, the products based on this Architecture may provide various derivative features. The configuration and memory mapping features of the TSC80251A1 derivatives are detailed in this section.

1.2. Configuration

The TSC80251A1 derivatives provide design flexibility by configuring certain operating features during the device reset. These features fall into the following categories:

- external/internal memory access operation,
- external memory interface,
- source/binary mode opcodes,
- selection of bytes stored on the stack by an interrupt.

The choice of internal program/code or external memory access is made through the External Access pin (EA#, see paragraph 1.3.2.). The internal memories of the TSC80251A1 derivatives are detailed in paragraph 1.3. “Memory Mapping”.

The choice of external memory interface is detailed in this section:

- Page Mode and Wait States
- External Memory Signals

The choice of source or binary mode and the interrupt processing are discussed in the TSC80251 Programmers’ Guide.

These settings are made based on two configuration bytes (CONFIG0 and CONFIG1, see Figure 1.11. and Figure 1.12. at the end of this chapter).

1.2.1. Page Mode and Wait States

This part discusses the choice of external cycle speed configuration. All the external bus cycles are based on states which are made of two cycles of the internal oscillator. The external XTAL1 frequency can be internally divided by the oscillator to reduce the power consumption (See “Power Monitoring and Management” chapter) and the speed of the external cycles is then reduced accordingly.

TSC80251A1 derivatives use two 8-bit ports (P0, P2) to multiplex a 16-bit address bus and an 8-bit data bus. The first configuration is multiplexing the lower 8-bit address bus and the 8-bit data bus on Port 0; this is the non-page mode which is compatible with the 80C51 derivatives. The second configuration is multiplexing the upper 8-bit address bus and the 8-bit data bus on Port 2; this is the page mode which improves performance. This bus structure is shown on Figure 1.1 and is configured by the PAGE bit of CONFIG0 byte.

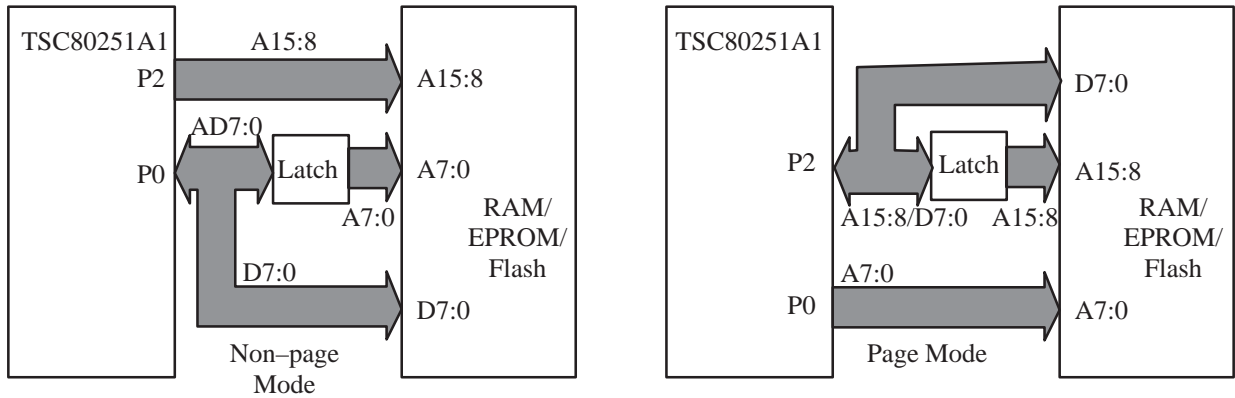


Figure 1.1. Bus structure in non-page mode and page mode

The Figure 1.2. highlights the non-page mode configuration with a code fetch cycle. One state is used to latch A7:0 on Port 0, then the data are transferred during the second state.

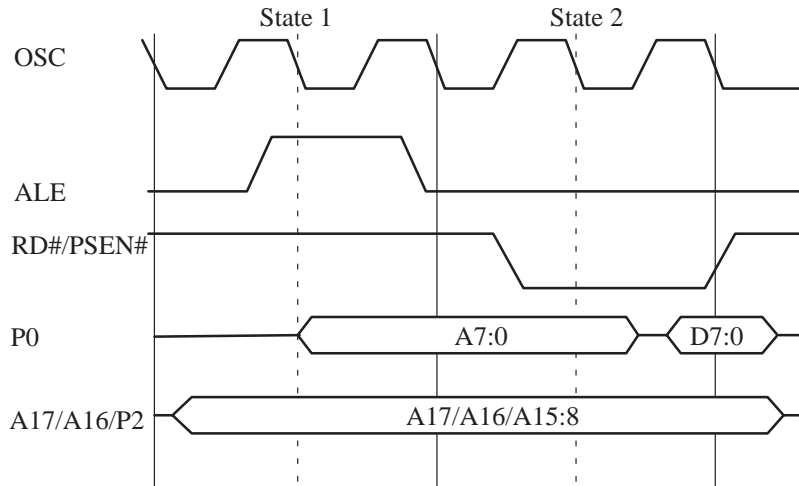


Figure 1.2. External bus cycle: code fetch, non-page mode

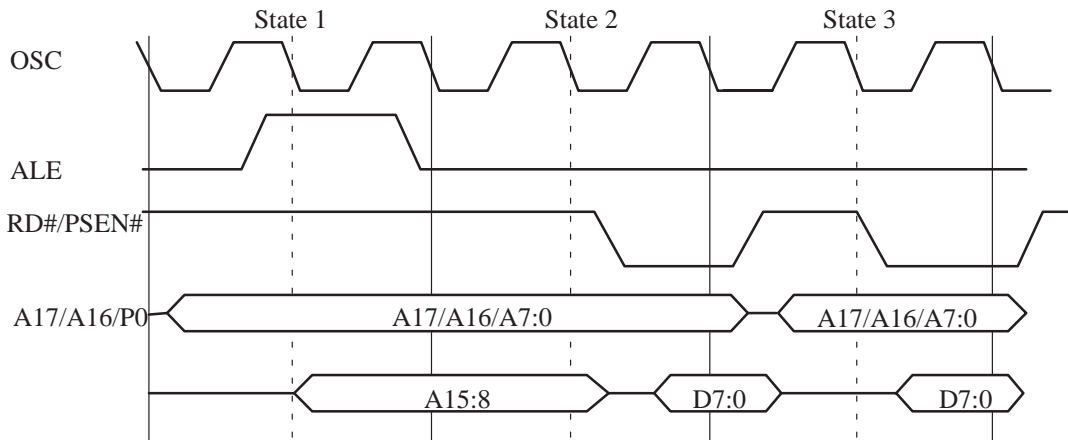


Figure 1.3. External bus cycle: code fetch, page mode

Three configuration bits are provided to introduce Wait States and modulate the access time depending on the external devices. One wait state can be added to extend the address latch time using the XALE bit in CONFIG0 byte. Another wait state can also be added to extend the data access time once the multiplexed addresses have been latched. Figure 1.4. shows a code fetch in non–page mode with one such wait state. The Wait State A bit (WSA bit in CONFIG0 byte) adds one state for external program/code and data accesses (See segments FF:, FE:, 00: in paragraph 1.2.2.). The Wait State B bit (WSB bit in CONFIG1 byte) adds one state for external data accesses only (See segment 01: in paragraph 1.2.2.).

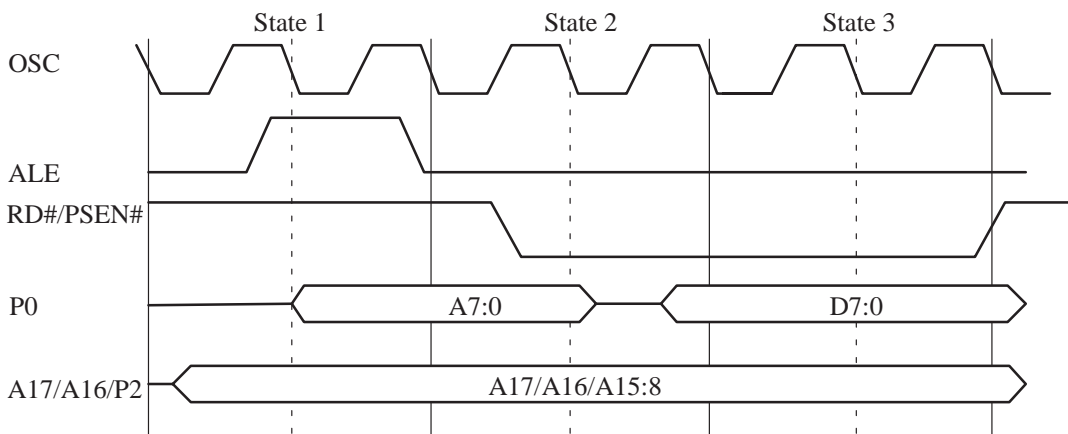


Figure 1.4. External bus cycle: code fetch with one RD#/PSEN# wait state in non–page mode

1.2.2. External Memory Signals

For easy reference to the C51 Architecture, it is convenient to consider the 24-bit linear address space of the C251 Architecture as 256 segments of 64 Kbytes (from segment 00: to segment FF:). Some of these segments are reserved to map the internal registers and, in this section, we only consider the segments which allows to access to the external memory. In the TSC80251A1 derivatives only four segments of the 24-bit internal address space (00:, 01:, FE:, FF:) are implemented to address the external memory. This allows a maximum program or data memory space of 256 Kbytes. Various configurations are possible, depending on the Read configuration bits (RD1:0) which are set in CONFIG0 byte.

1.2.2.1. How to address 256 Kbytes

The maximum external memory is provided when RD1:0 = 00, as shown on Figure 1.5. PSEN# is used as a read signal and WR# is used as a write signal. Eighteen address bits are provided externally (P0, P2, A16, A17) to control 256 Kbytes in four segments. In this configuration, the program/code and data spaces share the same external memory segments.

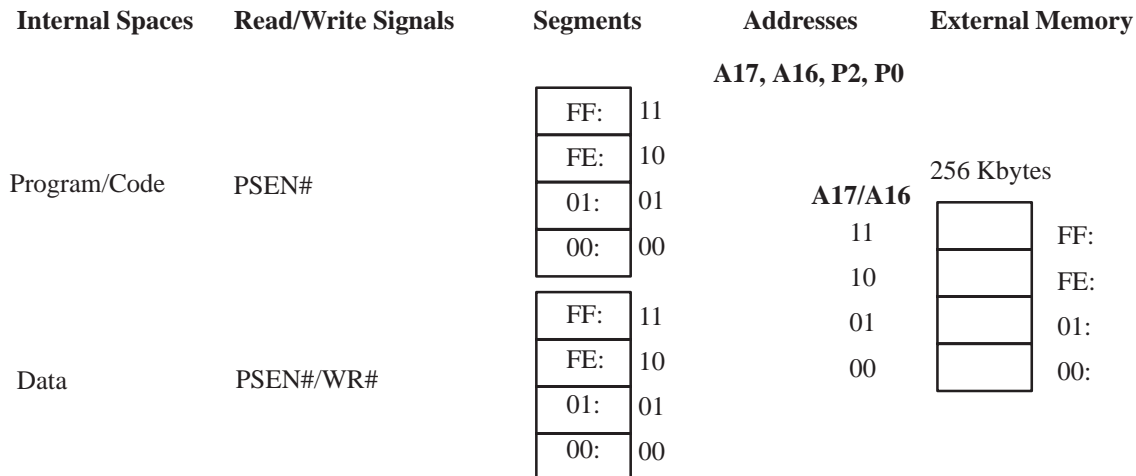


Figure 1.5. Internal/external memory segments (RD1:0 = 00)

1.2.2.2. How to address 128 Kbytes

One I/O pin (P1.7/A17) is saved if 128 Kbytes of external memory are enough, as shown on Figure 1.6. (RD1:0 = 01). PSEN# is used as a read signal and WR# is used as a write signal. Seventeen address bits are provided externally (P0, P2, A16) to control 128 Kbytes in two segments. In this configuration, the program/code and data spaces share the same external memory segments which are replicated twice in each internal space.

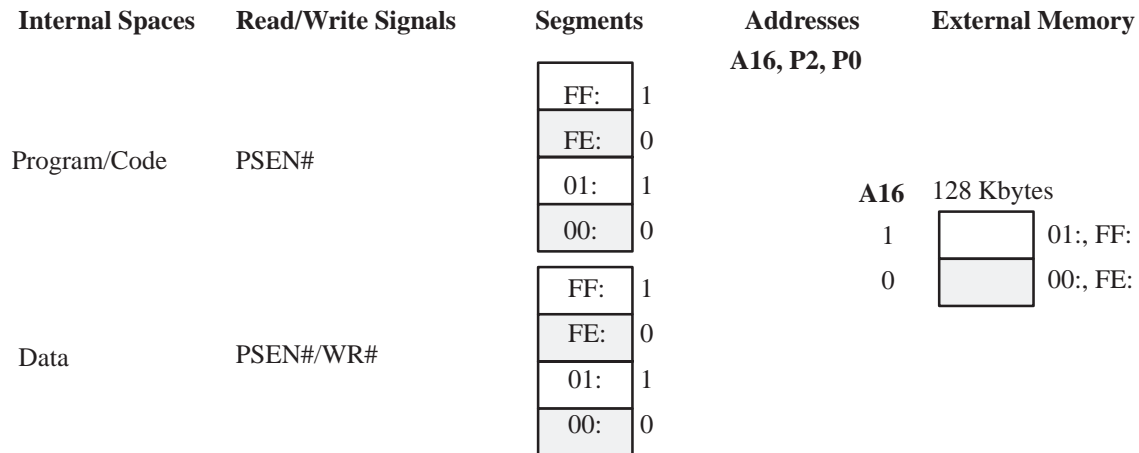


Figure 1.6. Internal/external memory segments (RD1:0 = 01)

1.2.2.3. How to address 64 Kbytes

Two I/O pins (P1.7/A17, P3.7/A16/RD#) are saved if 64 Kbytes of external memory are enough, as shown on Figure 1.7. (RD1:0 = 10). PSEN# is used as a read signal and WR# is used as a write signal. Sixteen address bits are provided externally (P0, P2) to control 64 Kbytes in one segment. In this configuration, the program/code and data share the same external memory segment which is replicated four times in each internal space.

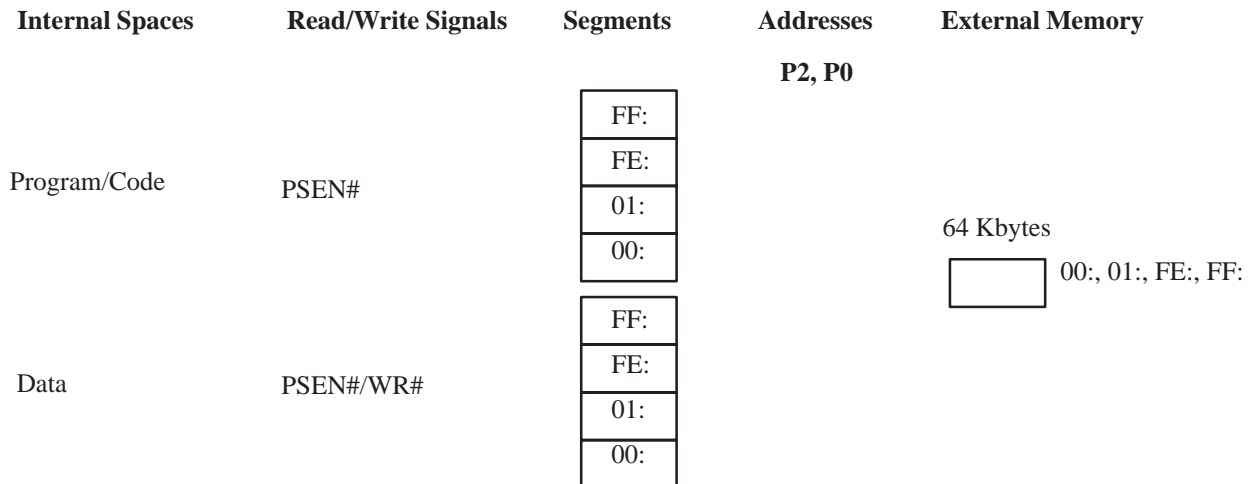


Figure 1.7. Internal/external memory segments (RD1:0 = 10)

1.2.2.4. How to keep C51 memory compatibility

The last configuration provides a full compatibility with the C51 Architecture, as shown on Figure 1.8. (RD1:0 = 11). PSEN# is used as a read signal for program/code memory read while RD# is used as a read signal and WR# is used as a write signal for data memory accesses. Sixteen address

bits are provided externally (Port 0, Port 2). In this configuration, the program/code fits in one read-only external memory segment and the data fits in another read-write external memory segment. Each segment is replicated four times in one internal space.

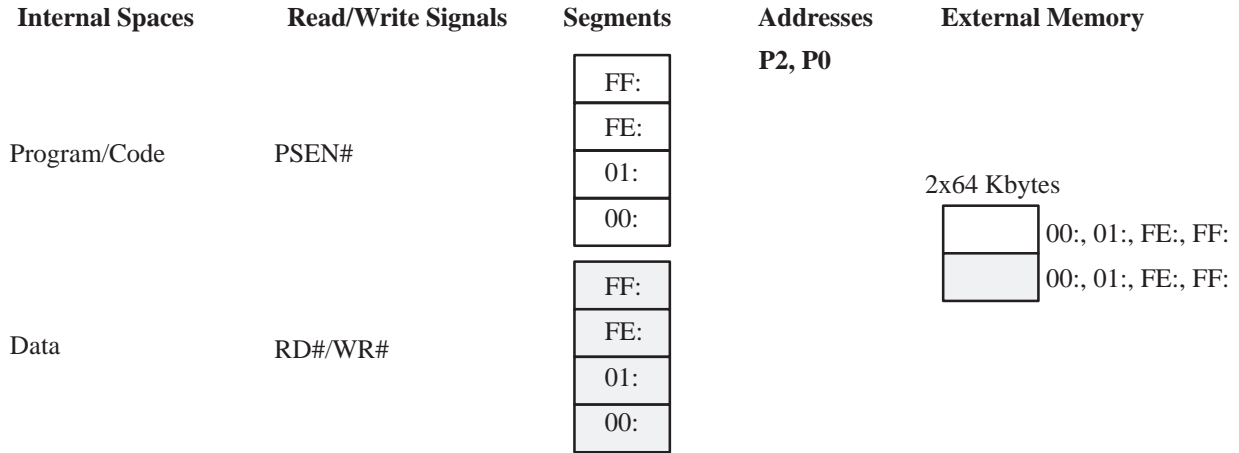


Figure 1.8. Internal/external memory segments (RD1:0 = 11)

1.3. Memory Mapping

The specific internal memories of the TSC80251A1 derivatives fall into the following categories:

- 2 Configuration bytes,
- 24 Kbytes on-chip ROM or EPROM/OTP program/code memory,
- 1 Kbyte on-chip RAM data memory,
- Special Function Registers (SFRs).

1.3.1. Configuration Bytes

The Configuration bytes, CONFIG0 and CONFIG1, are detailed in Figure 1.11. and Figure 1.12. During reset they are read from a specific ROM area. For the TSC87251A1 EPROM and OTPROM versions, these bytes are programmable in an EPROM area (See “EPROM programming” chapter). For the TSC83251A1 masked ROM versions, these bytes are additional information provided in a masked ROM area. For the TSC80251A1 ROMless versions, these bytes are configured in factory according to the part number (See “Ordering Information”). These bytes are not accessible by the user during operation and they do not appear in the Memory Mapping of the TSC80251A1 derivatives.

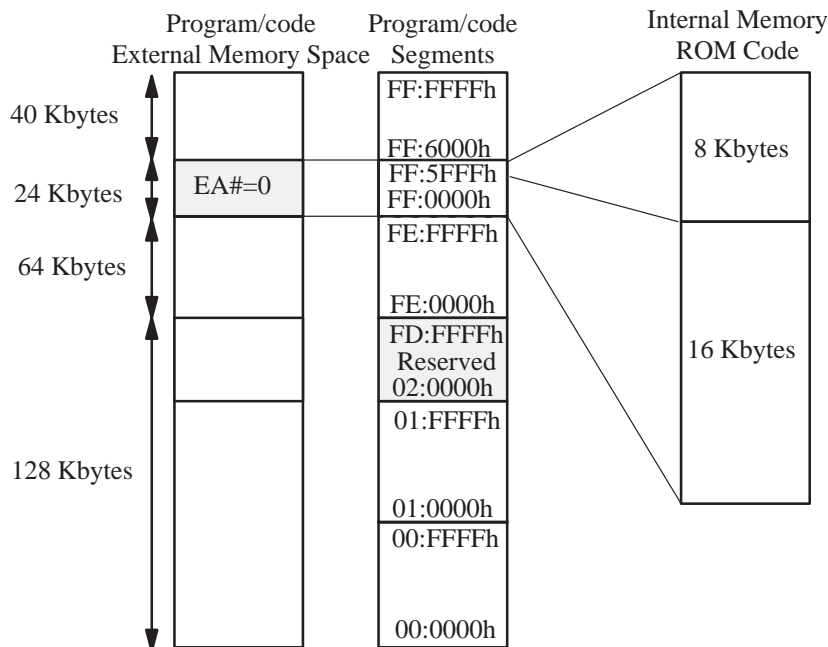


Figure 1.9. Programmable Memory Mapping

1.3.2. Program/Code Memory

The split of the internal and external program/code memory space is shown on Figure 1.9. If EA# is tied to a high level, the 24-Kbyte internal program memory are mapped in the lower part of segment FF: where the C251 core jumps after reset. The rest of the program/code memory space is mapped to the external memory (See paragraph 1.2.2. to determine to which external memory location each segment actually maps). If EA# is tied to a low level, the internal program/code memory is not used and all the accesses are directed to the external memory. Table 1.1. lists the minimum times to fetch on-chip and external memory.

Table 1.1. Minimum Times to fetch two bytes of code

Type of code memory	State times
On-chip code memory	1
External memory (page mode)	2
External memory (nonpage mode)	4

For the TSC87251A1 EPROM and OTPROM versions, the internal program/code is programmable in EPROM (See “EPROM programming” chapter). For the TSC83251A1 masked ROM versions, the internal program/code is provided in a masked ROM. For the TSC80251A1 ROMless versions, there is no possible internal program/code and EA# must be tied to a low level. In fact, for TSC83251A1 and TSC87251A1 versions, the upper 8 Kbytes of the internal ROM are also mapped in the data space (See paragraph 1.3.3.).

Note:

Special care should be taken when the Program Counter (PC) increments:

If your program executes exclusively from on-chip ROM/OTPROM/EPROM (not from external memory), beware of executing code from the upper eight bytes of the on-chip ROM/OTPROM/EPROM (FF:5FF8h–FF:5FFFh). Because of its pipeline capability, the 80C251A1 may attempt to prefetch code from external memory (at an address above FF:5FF8H/FF:5FFFH) and thereby disrupt I/O Ports 0 and 2. Fetching code constants from these eight bytes does not affect Ports 0 and 2.

When PC reaches the end of segment FF:, it loops to the reset address FF:0000h (for compatibility with the C51 architecture). When PC increments beyond the end of segment FE:, it continues at the reset address FF:0000h (linearity). When PC increments beyond the end of segment 01:, it loops to the beginning of segment 00: (this prevents it going into the reserved area).

1.3.3. Data Memory

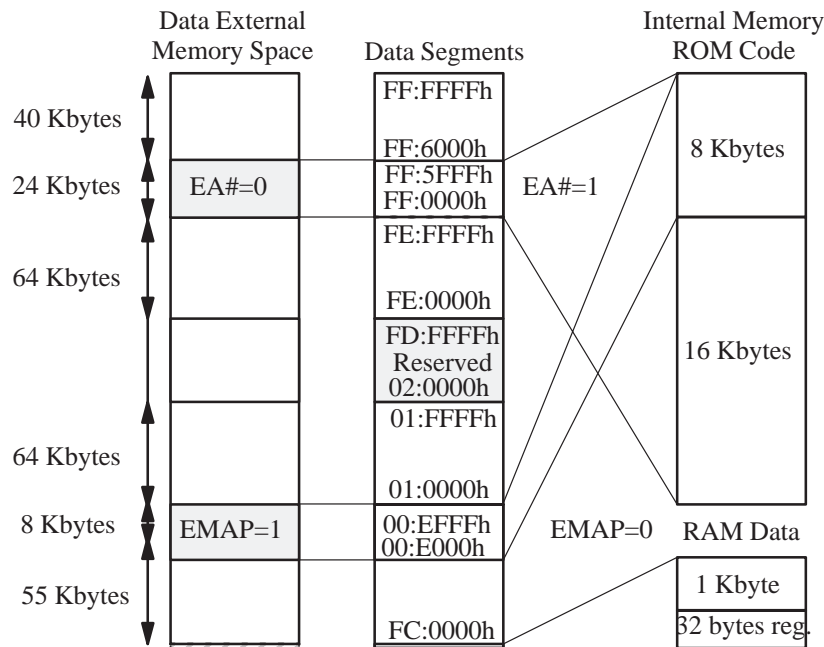


Figure 1.10. Data Memory Mapping

The split of the internal and external data memory space is shown on Figure 1.10. All the TSC80251A1 derivatives feature an internal 1 Kbyte RAM. This memory is mapped in the data space just over the 32 bytes of registers area (See TSC80251 Programmers' Guide). Hence, the lowermost 96 bytes of the internal RAM are bit addressable. This internal RAM is not accessible through the program/code memory space.

For computation with the internal ROM code of the TSC83251A1 and TSC87251A1 versions, its upper 8 Kbytes are also mapped in the data space if the EPROM Map configuration bit is cleared (EMAP bit in CONFIG1 byte, see Figure 1.2.). However, if EA# is tied to a low level and the TSC80251A1 derivative is running as a ROMless, the code is actually fetched in the corresponding external memory (i.e. the upper 8 Kbytes of the lower 24 Kbytes of segment FF:). If EMAP bit is set, the internal ROM is not accessible through the data memory space.

All the accesses to the portion of the data space with no internal memory mapped onto are redirected to the external memory, see paragraph 1.2.2. to determine to which external memory location each segment actually maps.

1.3.4. Special Function Registers

The Special Function Registers (SFRs) of the TSC80251A1 derivatives fall into the following categories:

- C251 core registers (SP, SPH, DPL, DPH, DPXL, PSW, PSW1, ACC, B)
- Port registers (P0, P1, P2, P3)
- Timer registers (TCON, TMOD, TL0, TL1, TH0, TH1)
- Serial Port and Baud Rate Generator registers (SCON, SBUF, SADDR, SADEN, BDRCON, BRL)
- Pulse Measurement Unit registers (PMU, PMCON, PMSCAL0, PMSCAL1, PMSCAL2, PMPER0, PMPER1, PMPER2, PMWID0, PMWID1, PMWID2)
- Event and Waveform Controller registers:
 - Counters (CCON, CMOD, CMOD0, CMOD1, CMOD2, COF, CRC, CIE, CL0, CL1, CL2, CL3, CL4, CH0, CH1, CH2, CH3, CH4)
 - Compare/Capture (CCAPM0, CCAPM1, CCAPM2, CCAPM3, CCAPM4, CCAPL0, CCAPL1, CCAPL2, CCAPL3, CCAPL4, CCAPH0, CCAPH1, CCAPH2, CCAPH3, CCAPH4)
- Analog to Digital Converter registers (ADCON, ADAT)
- Power monitoring/management and clock control registers (PCON, PFILT, POWM, CKRL)
- Interrupt system registers (IE0, IE1, IPL0, IPL1, IPH0, IPH1)

SFRs are placed in a reserved internal memory segment S: which is not represented in the internal memory mapping. The relative addresses within S of these SFRs within S: are provided together with their reset values in Table 1.2. . All the SFRs are bit-addressable using the C251 Instruction Set. The C251 core registers are in italics in this table and they are described in the TSC80251 Programmers' Guide. The other registers are detailed in the following sections which fully describe each peripheral unit.

Table 1.2. SFR addresses and Reset values

F8h		CH = CH0 0000 0000	CCAP0H XXXX XXXX	CCAP1H XXXX XXXX	CCAP2H XXXX XXXX	CCAP3H XXXX XXXX	CCAP4H XXXX XXXX	CMOD3 0000 0000
F0h	<i>B**</i> 0000 0000				CH1 0000 0000	CH2 0000 0000	CH3 0000 0000	CH4 0000 0000
E8h		CL = CL0 0000 0000	CCAP0L XXXX XXXX	CCAP1L XXXX XXXX	CCAP2L XXXX XXXX	CCAP3L XXXX XXXX	CCAP4L XXXX XXXX	CMOD2 0000 0000
E0h	<i>ACC**</i> 0000 0000	COF XXX0 0000	CRC 0000 0000	CIE XXX0 0000	CL1 0000 0000	CL2 0000 0000	CL3 0000 0000	CL4 0000 0000
D8h	CCON 0000 0000	CMOD 00XX X000	CCAPM0 X000 0000	CCAPM1 X000 0000	CCAPM2 X000 0000	CCAPM3 X000 0000	CCAPM4 X000 0000	CMOD1 0000 0000
D0h	<i>PSW**</i> 0000 0000	<i>PSW1**</i> 0000 0000						
C8h								
C0h						ADCON XXX0 0X00	ADAT* XXXX XXXX	
B8h	IPL0 0000 0000	SADEN 0000 0000					<i>SPH**</i> 0000 0000	
B0h	P3 1111 1111	IE1 X000 0000	IPL1 0000 0000	IPH1 0000 0000				IPH0 0000 0000
A8h	IE0 0000 0000	SADDR 0000 0000	PMSCAL0 XXXX XXXX	PMSCAL1 XXXX XXXX	PMSCAL2 XXXX XXXX	PMCON X000 X000	PMSTAT X000 X000	
A0h	P2 1111 1111		PMPER0* XXXXXXXh	PMWID0* XXXXXXXh	PMPER1* XXXXXXXh	PMWID1* XXXXXXXh	PMPER2* XXXXXXXh	PMWID2* XXXXXXXh
98h	SCON 0000 0000	SBUF XXXX XXXX	BRL 0000 0000	BDRCN XXX0 0000				PMU XXXX XXX0
90h	P1 1111 1111							
88h	TCON 0000 0000	TMOD 0000 0000	TL0 0000 0000	TL1 0000 0000	TH0 0000 0000	TH1 0000 0000	CKRL 0000 1000	POWM 0XX0 0000
80h	P0 1111 1111	<i>SP**</i> 0000 0111	<i>DPL**</i> 0000 0000	<i>DPH**</i> 0000 0000	<i>DPXL**</i> 0000 0001		PFILT 0000 1000	PCON 000X 0000
	0/8	1/9	2/A	3/B	4/C	5/D	6/E	7/F

* read only
 **C251 core registers described in the TSC80251 Programmer's Guide

reserved

S:00h – S7Fh unimplemented
 S:100h – S:1FFh unimplemented

CONFIG0
Configuration byte 0

–	–	WSA	XALE	RD1	RD0	PAGE	SRC
7	6	5	4	3	2	1	0
Bit Number	Bit Mnemonic	Description					
7	–	Reserved The value read from this bit is indeterminate. Do not set this bit.					
7	–	Reserved The value read from this bit is indeterminate. Do not set this bit.					
5	WSA	Wait State A bit Clear to generate one external wait state for memory regions 00:, FE:, and FF:. Set for no wait states for these regions.					
4	XALE	Extend ALE bit Clear to extend the time of the ALE pulse from T _{Osc} to 3.T _{Osc} , which adds one external wait state. Set the time of the ALE pulse to T _{Osc} .					
3, 2	RD1, RD0	RD# and PSEN# Function Select bits					
		<u>RD1</u>	<u>RD0</u>	<u>RD#</u>	<u>P1.7</u>	<u>PSEN# Range</u>	
		0	0	A16	A17	PSEN# is the read signal for both external data and program address space (256 Kbytes).	
		0	1	A16	I/O pin	PSEN# is the read signal for both external data and program address space (128 Kbytes).	
		1	0	P3.7	I/O pin	PSEN# is the read signal for both external data and program address space (64 Kbytes).	
		1	1	RD#	I/O pin	64–Kbyte code memory space 64–Kbyte data memory space	
1	PAGE	Page Mode Select bit Clear for page–mode with A15:8/D7:0 on Port 2, and A7:0 on Port0. Set for non page–mode with A15:8 on Port 2, and A7:0/D7:0 on Port 0 (compatible with 80C51 microcontrollers).					
0	SRC	Source Mode/Binary Mode Select bit Clear for Binary Mode (Binary Code compatible with 80C51 microcontrollers) Set for Source Mode.					

Figure 1.11. Configuration byte 0

Note:

To configure the TSC80251A1 in C51 microcontroller mode, use the following bit values in CONFIG0: 1101 1110B.

CONFIG1

Configuration byte 1

–	–	–	INTR	WSB	–	–	EMAP
7	6	5	4	3	2	1	0
Bit Number	Bit Mnemonic	Description					
7	–	Reserved The value read from this bit is indeterminate. Do not set this bit.					
6	–	Reserved The value read from this bit is indeterminate. Do not set this bit.					
5	–	Reserved The value read from this bit is indeterminate. Do not set this bit.					
4	INTR	Interrupt Mode bit Clear so that the interrupts push 2 bytes onto the stack (the 2 lower bytes of the PC register). Set so that the interrupts push 4 bytes onto the stack (the 3 bytes of the PC register and the PSW1 register).					
3	WSB	Wait State B bit Clear to generate one external wait state for memory region 01:. Set for no wait states for region 01:.					
2	–	Reserved The value read from this bit is indeterminate. Do not set this bit.					
1	–	Reserved The value read from this bit is indeterminate. Do not set this bit.					
0	EMAP	EPROM Map bit Clear to map the upper 8 Kbytes of on–chip code memory (FF:3000h–FF:5FFFh) to 00:C000h–00:FFFFh. Set to map the upper 12 Kbytes of on–chip code memory to FF:3000h–FF:5FFFh.					

Figure 1.12. Configuration byte 1

Note:

To configure the TSC80251A1 in C51 microcontroller mode, use the following bit values in CONFIG1: 1110 0111B.

Parallel I/O Ports

2.1. Introduction

The TSC80251A1 uses input/output (I/O) Ports to exchange data with external devices. In addition to performing general-purpose I/O, some Ports are capable of external memory operations; others allow for alternate functions. All four TSC80251A1 I/O Ports are bidirectional. Each Port contains a latch, an output driver and an input buffer. Port 0 and Port 2 output drivers and input buffers facilitate external memory operations. Port 0 drives the lower address byte onto the parallel address bus and Port 2 drives the upper address byte onto the bus. In non-page mode, the data is multiplexed with the lower address byte on Port 0. In page mode, the data is multiplexed with the upper address byte on Port 2. All Port 1 and Port 3 pins serve for both general-purpose I/O and alternate functions (See Table 2.1.).

Table 2.1. Port pin descriptions

Pin Name	Type	Alternate Pin Name	Alternate Description	Alternate Type
P0.0	I/O	AD0	Address/Data line 0 (Non-page mode) Address line 0 (Page mode)	I/O
P0.1	I/O	AD1	Address/Data line 1 (Non-page mode) Address line 1 (Page mode)	I/O
P0.2	I/O	AD2	Address/Data line 2 (Non-page mode) Address line 2 (Page mode)	I/O
P0.3	I/O	AD3	Address/Data line 3 (Non-page mode) Address line 3 (Page mode)	I/O
P0.4	I/O	AD4	Address/Data line 4 (Non-page mode) Address line 4 (Page mode)	I/O
P0.5	I/O	AD5	Address/Data line 5 (Non-page mode) Address line 5 (Page mode)	I/O
P0.6	I/O	AD6	Address/Data line 6 (Non-page mode) Address line 6 (Page mode)	I/O
P0.7	I/O	AD7	Address/Data line 7 (Non-page mode) Address line 7 (Page mode)	I/O

Pin Name	Type	Alternate Pin Name	Alternate Description	Alternate Type
P1.0	I/O	AN0	Analog input 0	I
P1.1	I/O	AN1	Analog input 1	I
P1.2	I/O	ECI AN2	EWC external clock input Analog input 2	I I
P1.3	I/O	CEX0 AN3	EWC module 0 Capture input/PWM output Analog input 3	I/O I
P1.4	I/O	CEX1	EWC module 1 Capture input/PWM output	I/O
P1.5	I/O	PMI0 CEX2	PMU input 0 EWC module 2 Capture input/PWM output	I I/O
P1.6	I/O	PMI1 CEX3	PMU input 1 EWC module 3 Capture input/PWM output	I I/O
P1.7	I/O	A17 PMI2 CEX4	Address line 17 PMU input 2 EWC module 4 Capture input/PWM output	I/O I I/O

Pin Name	Type	Alternate Pin Name	Alternate Description	Alternate Type
P2.0	I/O	A8	Address line 8 (Non-page mode) Address/Data line 8 (Page mode)	I/O
P2.1	I/O	A9	Address line 9 (Non-page mode) Address/Data line 9 (Page mode)	I/O
P2.2	I/O	A10	Address line 10 (Non-page mode) Address/Data line 10 (Page mode)	I/O
P2.3	I/O	A11	Address line 11 (Non-page mode) Address/Data line 11 (Page mode)	I/O
P2.4	I/O	A12	Address line 12 (Non-page mode) Address/Data line 12 (Page mode)	I/O
P2.5	I/O	A13	Address line 13 (Non-page mode) Address/Data line 13 (Page mode)	I/O
P2.6	I/O	A14	Address line 14 (Non-page mode) Address/Data line 14 (Page mode)	I/O
P2.7	I/O	A15	Address line 15 (Non-page mode) Address/Data line 15 (Page mode)	I/O

Pin Name	Type	Alternate Pin Name	Alternate Description	Alternate Type
P3.0	I/O	RXD	Serial Port Receive Data input	I
P3.1	I/O	TXD	Serial Port Transmit Data output	O
P3.2	I/O	INT0#	External Interrupt 0	I
P3.3	I/O	INT1#	External Interrupt 1	I
P3.4	I/O	T0	Timer 0 input	I
P3.5	I/O	T1	Timer 1 input	I
P3.6	I/O	WR#	Write signal to external memory	O
P3.7	I/O	RD# A16	Read signal to external memory Address line 16	O I/O

Notes:

- EWC = Event Waveform Controller
- PMU = Pulse Measurement Unit
- PWM = Pulse Width Modulation

2.2. I/O Configurations

Each Port SFR operates via type-D latches, as illustrated in Figure 2.1. for Ports 1 and 3. A CPU “write to latch” signal initiates transfer of internal bus data into the type-D latch. A CPU “read latch” signal transfers the latched Q output onto the internal bus. Similarly, a “read pin” signal transfers the logical level of the Port pin. Some Port data instructions activate the “read latch” signal while others activate the “read pin” signal. Latch instructions are referred to as Read-Modify-Write instructions (See “Read-Modify-Write Instructions” paragraph). Each I/O line may be independently programmed as input or output.

2.3. Port 1 and Port 3

Figure 2.1. shows the structure of Ports 1 and 3, which have internal pull-ups. An external source can pull the pin low. Each Port pin can be configured either for general-purpose I/O or for its alternate input or output function (See Table 2.1.).

To use a pin for general-purpose output, set or clear the corresponding bit in the Px register (x = 1 or 3). To use a pin for general-purpose input, set the bit in the Px register. This turns off the output driver FET.

To configure a pin for its alternate function, set the bit in the Px register. When the latch is set, the “alternate output function” signal controls the output level (See Figure 2.1.). The operation of Ports 1 and 3 is discussed further in “Quasi-Bidirectional Port Operation” paragraph.

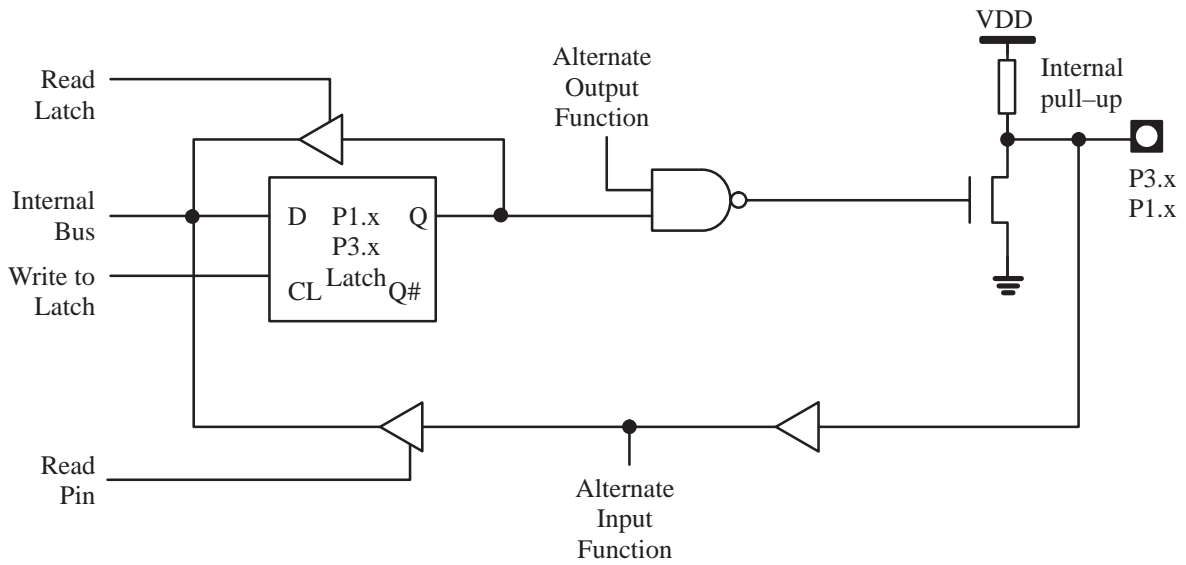


Figure 2.1. Port 1 and Port 3 structure

2.4. Port 0 and Port 2

Ports 0 and 2 are used for general-purpose I/O or as the external address/data bus. Port 0, shown in Figure 2.2. , differs from the other Ports in not having internal pull-ups. Figure 2.3. shows the structure of Port 2. An external source can pull a Port 2 pin low.

To use a pin for general-purpose output, set or clear the corresponding bit in the Px register (x = 0 or 2). To use a pin for general-purpose input set the bit in the Px register to turn off the output driver FET.

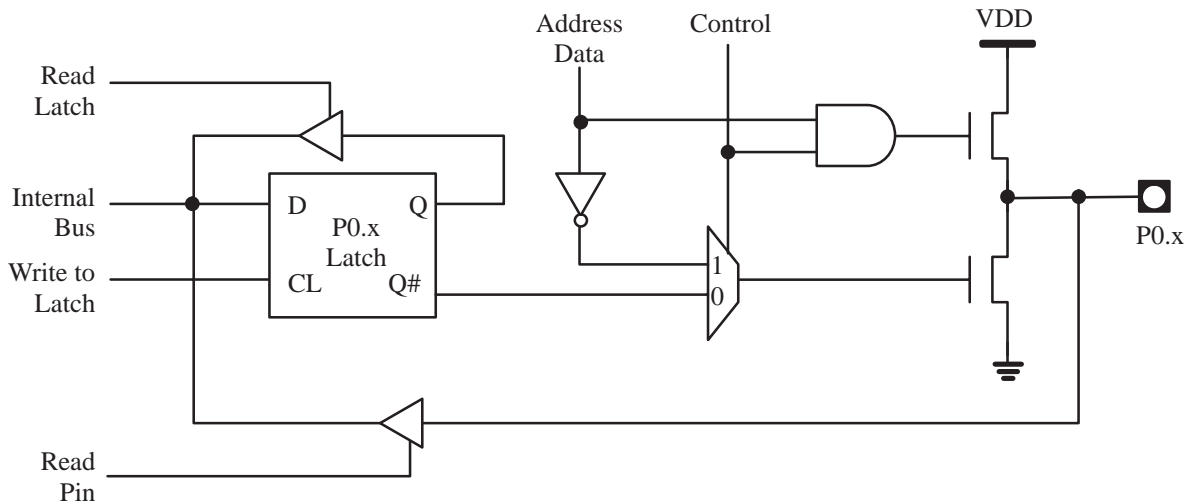


Figure 2.2. Port 0 structure

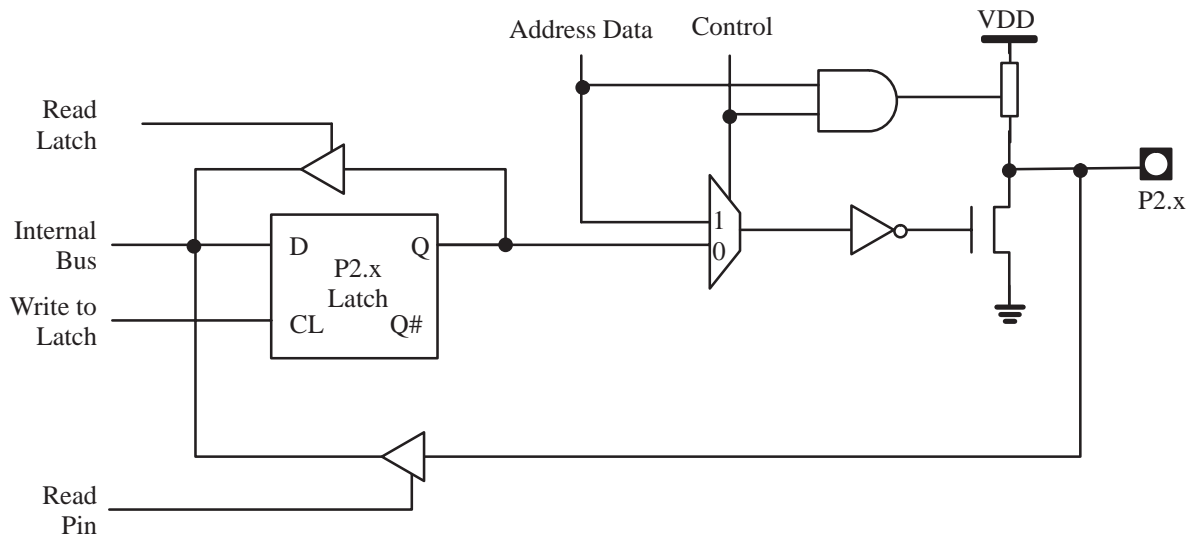


Figure 2.3. Port 2 structure

When Port 0 and Port 2 are used for an external memory cycle, an internal control signal switches the output–driver input from the latch output to the internal address/data line. “External Memory Access” paragraph discusses the operation of Port 0 and Port 2 as the external address/data bus.

Notes:

- Port 0 and Port 2 are precluded from use as general purpose I/O Ports when used as address/data bus drivers.
- Port 0 internal pull–ups assist the logic–one output for memory bus cycles only. Except for these bus cycles, the pull–up FET is off. All other Port 0 outputs are open–drain.

2.5. Read–Modify–Write Instructions

Some instructions read the latch data rather than the pin data. The latch based instructions read the data, modify the data and then rewrite the latch. These are called “Read–Modify–Write” instructions. Below is a complete list of these special instructions. When the destination operand is a Port or a Port bit, these instructions read the latch rather than the pin:

Instruction	Description	Example
ANL	logical AND	ANL P1,A
ORL	logical OR	ORL P2,A
XRL	logical EX–OR	XRL P3,A
JBC	jump if bit = 1 and clear bit	JBC P1.1, LABEL
CPL	complement bit	CPL P3.0
INC	increment	INC P2

Instruction	Description	Example
DEC	decrement	DEC P2
DJNZ	decrement and jump if not zero	DJNZ P3, LABEL
MOV Px.y, C	move carry bit to bit y of Port x	MOV P1.5, C
CLR Px.y	clear bit y of Port x	CLR P2.4
SET Px.y	set bit y of Port x	SET P3.3

It is not obvious the last three instructions in this list are Read–Modify–Write instructions. These instructions read the Port (all 8 bits), modify the specifically addressed bit and write the new byte back to the latch. These Read–Modify–Write instructions are directed to the latch rather than the pin in order to avoid possible misinterpretation of voltage (and therefore, logic) levels at the pin. For example, a Port bit used to drive the base of an external bipolar transistor cannot rise above the transistor’s base–emitter junction voltage (a value lower than V_{IL}). With a logic one written to the bit, attempts by the CPU to read the Port at the pin are misinterpreted as logic zero. A read of the latch rather than the pin returns the correct logic–one value.

2.6. Quasi–Bidirectional Port Operation

Port 1, Port 2 and Port 3 have fixed internal pull–ups and are referred to as “quasi–bidirectional” Ports. When configured as an input, the pin impedance appears as logic one and sources current in response to an external logic zero condition. Port 0 is a “true bidirectional” pin. The pin floats when configured as input. Resets write logical one to all Port latches. If logical zero is subsequently written to a Port latch, it can be returned to input conditions by a logical one written to the latch.

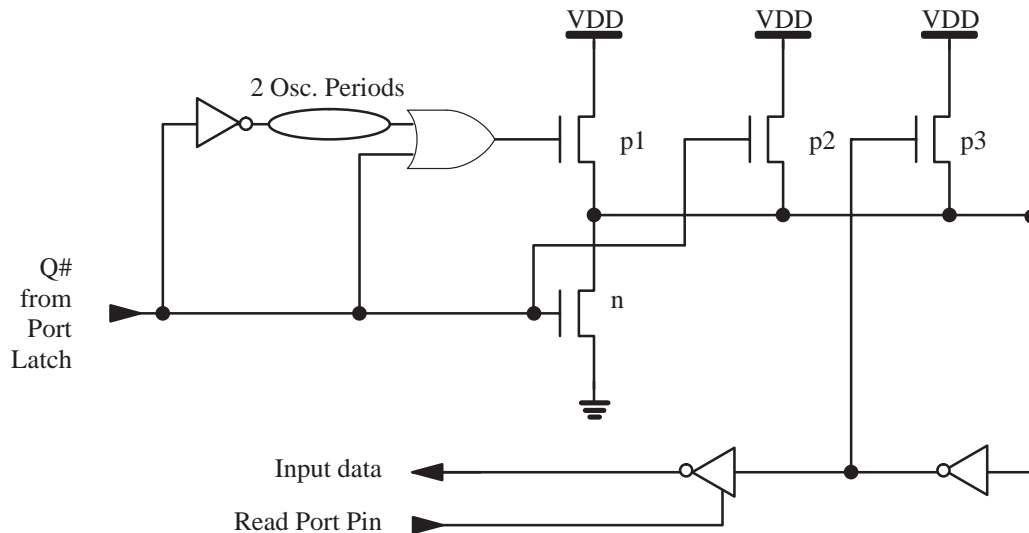


Figure 2.4. Internal pull–up configurations

Note:

Port latch values change near the end of Read–Modify–Write instruction cycles. Output buffers (and therefore the pin state) update early in the instruction after the Read–Modify–Write instruction cycle.

Logical zero-to-one transitions in Port 1, Port 2 and Port 3 use an additional pull-up to aid this logic transition (See Figure 2.4.). This increases switch speed. The extra pull-up briefly sources 100 times normal internal circuit current. The internal pull-ups are field-effect transistors rather than linear resistors. Pull-ups consist of three p-channel FET (pFET) devices. A pFET is on when the gate senses logical zero and off when the gate senses logical one. pFET #1 is turned on for two oscillator periods immediately after a zero-to-one transition in the Port latch. A logical one at the Port pin turns on pFET #3 (a weak pull-up) through the inverter. This inverter and pFET pair form a latch to drive logical one. pFET #2 is a very weak pull-up switched on whenever the associated nFET is switched off. This is traditional CMOS switch convention. Current strengths are 1/10 that of pFET #3.

2.7. Port Loading

Output buffers of Port 1, Port 2 and Port 3 can each sink 1.6 mA at logic zero. These Port pins can be driven by open-collector and open-drain devices. Logic zero-to-one transitions occur slowly as limited current pulls the pin to a logic-one condition (See Figure 2.4.). A logic-zero input turns off pFET #3. This leaves only pFET #2 weakly in support of the transition. In external bus mode, Port 0 output buffers each sink 3.2 mA at logic zero. However, the Port 0 pins require external pull-ups to drive external gate inputs. External circuits must be designed to limit current requirements to these conditions.

2.8. External Memory Access

The external bus structure is different for page mode and non-page mode. In non-page mode (used by 80C51 microcontrollers), Port 2 outputs the upper address byte; the lower address byte and the data are multiplexed on Port 0. In page mode, the upper address byte and the data are multiplexed on Port 2, while Port 0 outputs the lower address byte.

The TSC80251A1 CPU writes FFh to the Port 0 register for all external memory bus cycles. This overwrites previous information in Port 0. In contrast, the Port 2 register is unmodified for external bus cycles. When address bits or data bits are not on the Port 2 pins, the bit values in Port 2 appear on the Port 2 pins.

In non-page mode, Port 0 uses a strong internal pull-up FET to output ones or a strong internal pull-down FET to output zeros for the lower address byte and the data. Port 0 is in a high-impedance state for data input. In page mode, Port 0 uses a strong internal pull-up FET to output ones or a strong internal pull-down FET to output zeros for the lower address byte or a strong internal pull-down FET to output zeros for the upper address byte.

In non-page mode, Port 2 uses a strong internal pull-up FET to output ones or a strong internal pull-down FET to output zeros for the upper address byte. In page mode, Port 2 uses a strong internal pull-up FET to output ones or a strong internal pull-down FET to output zeros for the upper address byte and data. Port 2 is in a high-impedance state for data input.

Note:

In external bus mode Port 0 outputs do not require external pull-ups.

There are two types of external memory accesses: external program memory and external data memory. External program memories use signal PSEN# as a read strobe. 80C51 microcontrollers

use RD# (read) or WR# (write) to strobe memory for data accesses. Depending on its RD0 and RD1 configuration bits, the TSC80251A1 uses PSEN# or RD# for data reads (See “Configuration bits RD0 and RD1”).

During instruction fetches, external program memory can transfer instructions with 16-bit addresses for binary compatible code or with the external bus configured for extended memory addressing (17-bit or 18-bit).

External data memory transfers use an 8-bit, 16-bit, 17-bit or 18-bit address bus, depending on the instruction and the configuration of the external bus. Table 2.2. lists the instructions that can be used for the these bus widths.

Table 2.2. Instructions for external data moves

Bus width	Instructions
8	MOVX @Ri MOV @Rm MOV dir8
16	MOVX @DPTR MOV @WRj MOV @WRj+dis MOV dir16
17	MOV @DRk MOV @DRk+dis
18	MOV @DRk MOV @DRk+dis

Note:

Avoid MOV P0 instructions for external memory accesses. These instructions can corrupt input code bytes at Port 0.

External signal ALE (address latch enable) facilitates external address latch capture. The address byte is valid after the ALE pin drives V_{OL} . For write cycles, valid data is written to Port 0 just prior to the write pin (WR#) asserting V_{OL} . Data remains valid until WR# is undriven. For read cycles, data returned from external memory must appear at Port 0 before the read pin (RD#) is undriven. Waits states, by definition, affect bus-timing.

Timers/Counters

3.1. Introduction

The TSC80251A1 contains two general-purpose, 16-bit Timers/Counters. Although they are identified as Timer 0 and Timer 1, you can independently configure each to operate in a variety of modes as a Timer or as an event Counter. Each Timer employs two 8-bit Timer registers, used separately or in cascade, to maintain the count. Timer registers and associated control and capture registers are implemented as addressable special function registers (SFRs). Table 3.1. briefly describes the SFRs referred to in this chapter. Two of the SFRs provide programmable control of the Timers as follows:

- Timer/Counter Mode Control register (TMOD).
- Timer/Counter Control register (TCON) for Timer 0 and Timer 1.

These registers are described at the end of this chapter.

Table 3.1. Timer/Counter SFRs

Mnemonic	Description	Address
TL0 TH0	Timer 0 registers Used separately as two 8-bit Counters or in cascade as one 16-bit Counter. Counts an internal clock signal with frequency $F_{OSC}/12$ (Timer operation) or an external input (event Counter operation).	S:8Ah S:8Ch
TL1 TH1	Timer 1 registers Used separately as two 8-bit Counters or in cascade as one 16-bit Counter. Counts an internal clock signal with frequency $F_{OSC}/12$ (Timer operation) or an external input (event Counter operation).	S:8Bh S:8Dh
TCON	Timer 0/1 Control register Contains the run control bits, overflow flags, interrupt flags and interrupt type control bits for Timer 0 and Timer 1.	S:88h
TMOD	Timer 0/1 Mode Control register Contains the mode select bits, Counter/Timer select bits and external control gate bits for Timer 0 and Timer 1.	S:89h

Table 3.2. describes the external signals referred to in this chapter.

Table 3.2. External signals

Mnemonic	Type	Description	Multiplexed With
INT0#	I	External Interrupt 0 This input sets the IE0 interrupt flag in TCON register. IT0 selects the triggering method: IT0 = 1 selects edge-triggered (high-to-low); IT0 = 0 selects level-triggered (active low). INT0# also serves as external run control for Timer 0, when selected by GATE0 bit in TCON register.	P3.2
INT1#	I	External Interrupt 1 This input sets the IE1 interrupt flag in TCON register. IT1 selects the triggering method: IT1 = 1 selects edge-triggered (high-to-low); IT1 = 0 selects level-triggered (active low). INT1# also serves as external run control for Timer 1, when selected by GATE1 bit in TCON register.	P3.3
T0	I	Timer 0 External Clock Input When Timer 0 operates as a Counter, a falling edge on the T0 pin increments the count.	P3.4
T1	I	Timer 1 External Clock Input When Timer 1 operates as a Counter, a falling edge on the T1 pin increments the count.	P3.5

3.2. Timer/Counter Operations

For example, a basic operation is Timer registers THx and TLx (x = 0 or 1) connected in cascade to form a 16-bit Timer. Setting the run control bit (TRx) turns the Timer on by allowing the selected input to increment TLx. When TLx overflows it increments THx; when THx overflows it sets the Timer overflow flag (TFx) in TCON register. Setting the run control bit does not clear the THx and TLx Timer registers. Timer registers can be accessed to obtain the current count or to enter preset values. Timer 0 and Timer 1 can also be controlled by external pin INTx# to facilitate pulse width measurements.

The C/Tx# control bit selects Timer operation or Counter operation by selecting the divided-down system clock or external pin Tx as the source for the counted signal.

For Timer operation (C/Tx# = 0), the Timer register counts the divided-down system clock. The Timer register is incremented once every peripheral cycle, i.e. once every six states. Since six states equals 12 oscillator periods (clock cycles), the Timer clock rate is $F_{OSC} / 12$.

For Counter operation (C/Tx# = 1), the Timer register counts the negative transitions on the Tx external input pin. When the sample of the external inputs is high in one cycle and low in the next, the Counter is incremented. Since it takes 12 states (24 oscillator periods) to recognize a negative transition, the maximum count rate is 1/24 of the oscillator frequency. There are no restrictions on

the duty cycle of the external input signal, but to ensure that a given level is sampled at least once before it changes, it should be held for at least one full peripheral cycle.

3.3. Timer 0

Timer 0 functions as either a Timer or event Counter in four modes of operation. Figure 3.1. , Figure 3.3. and Figure 3.4. show the logical configuration of each mode.

Timer 0 is controlled by the four low-order bits of TMOD register (See Figure 3.6.) and bits 0, 1, 4 and 5 of TCON register (See Figure 3.5.). TMOD register selects the method of Timer gating (GATE0), Timer or Counter operation (T/C0#), and mode of operation (M10 and M00). TCON register provides Timer 0 control functions: overflow flag (TF0), run control bit (TR0), interrupt flag (IE0), and interrupt type control bit (IT0).

For normal Timer operation (GATE0 = 0), setting TR0 allows TL0 to be incremented by the selected input. Setting GATE0 and TR0 allows external pin INT0# to control Timer operation. This setup can be used to make pulse width measurements.

Timer 0 overflow (count rolls over from all 1s to all 0s) sets TF0 flag generating an interrupt request.

3.3.1. Mode 0 (13-bit Timer)

Mode 0 configures Timer 0 as an 13-bit Timer which is set up as an 8-bit Timer (TH0 register) with a modulo 32 prescaler implemented with the lower five bits of TL0 register (See Figure 3.1.). The upper three bits of TL0 register are indeterminate and should be ignored. Prescaler overflow increments TH0 register.

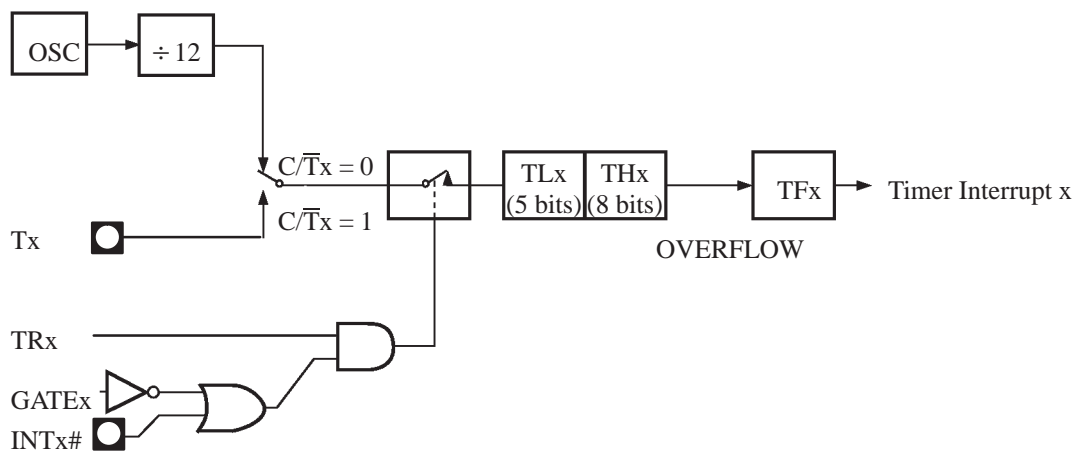


Figure 3.1. Timer/Counter x (x = 0 or 1) in mode 0 and mode 1

3.3.2. Mode 1 (16-bit Timer)

Mode 1 configures Timer 0 as a 16-bit Timer with TH0 and TL0 connected in cascade (See Figure 3.2.). The selected input increments TL0.

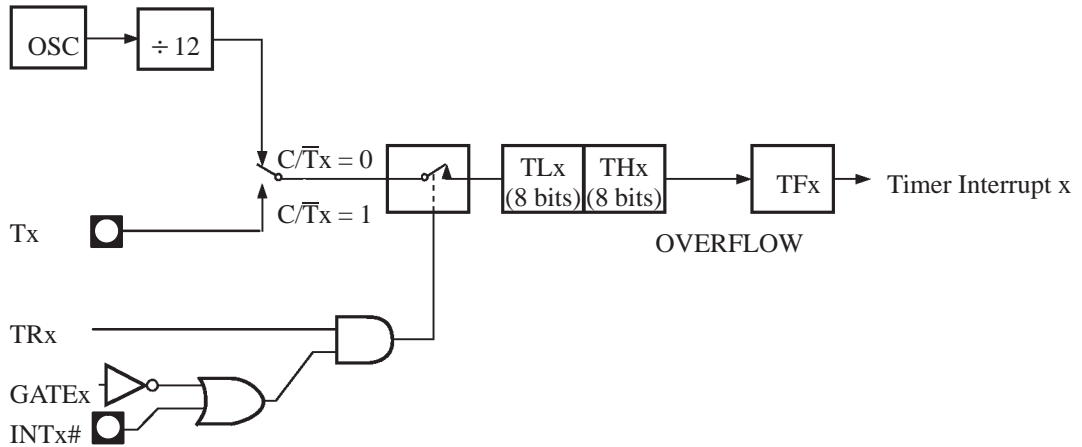


Figure 3.2. Timer/Counter x (x = 0 or 1) in mode 1

3.3.3. Mode 2 (8-bit Timer with Auto-Reload)

Mode 2 configures Timer 0 as an 8-bit Timer (TL0 register) that automatically reloads from TH0 register (See Figure 3.3.). TL0 overflow sets TF0 flag in TCON register and reloads TL0 with the contents of TH0, which is preset by software. When the interrupt request is serviced, hardware clears TF0. The reload leaves TH0 unchanged.

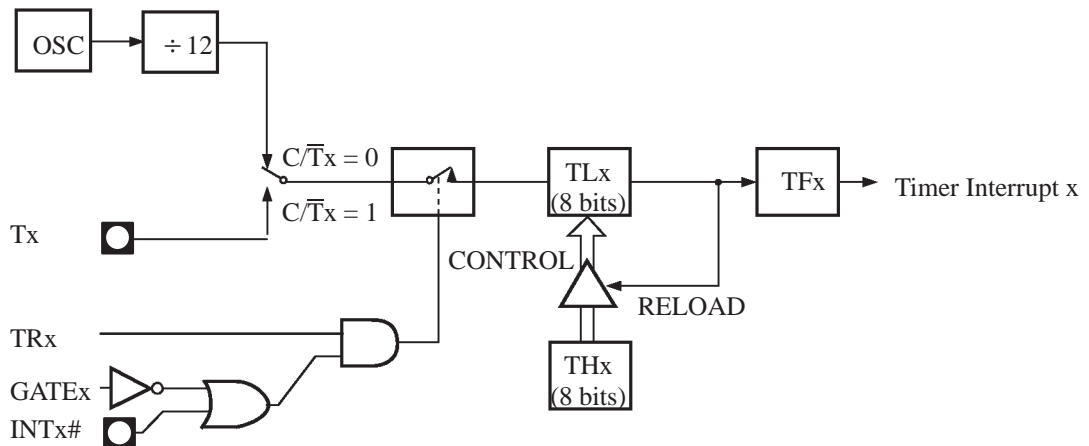


Figure 3.3. Timer/Counter x (x = 0 or 1) in mode 2

3.3.4. Mode 3 (Two 8-bit Timers)

Mode 3 configures Timer 0 such that registers TL0 and TH0 operate as separate 8-bit Timers (See Figure 3.4.). This mode is provided for applications requiring an additional 8-bit Timer or Counter. TL0 uses the Timer 0 control bits C/T0# and GATE0 in TMOD register, and TR0 and TF0 in TCON register in the normal manner. TH0 is locked into a Timer function (counting $F_{OSC} / 12$) and takes over use of the Timer 1 interrupt (TF1) and run control (TR1) bits. Thus, operation of Timer 1 is restricted when Timer 0 is in mode 3.

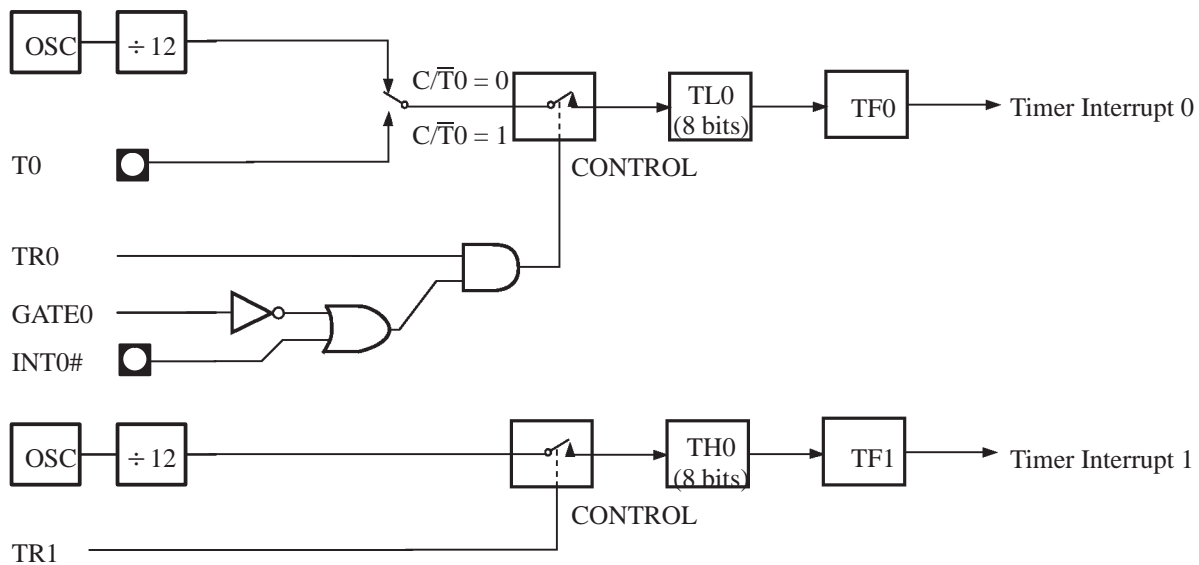


Figure 3.4. Timer/Counter in mode 3 : Two 8-bit Counters

3.4. Timer 1

Timer 1 functions as either a Timer or event Counter in three modes of operation. Figure 3.1. and Figure 3.3. show the logical configuration for modes 0, 1, and 2. Timer 1's mode 3 is a hold-count mode.

Timer 1 is controlled by the four high-order bits of TMOD register (See Figure 3.6.) and bits 2, 3, 6 and 7 of TCON register (See Figure 3.5.). TMOD register selects the method of Timer gating (GATE1), Timer or Counter operation (C/T1#), and mode of operation (M11 and M01). TCON register provides Timer 1 control functions: overflow flag (TF1), run control bit (TR1), interrupt flag (IE1), and interrupt type control bit (IT1).

Timer 1 operation in modes 0, 1 and 2 is identical to Timer 0. Timer 1 can serve as the Baud Rate Generator for the Serial Port. Mode 2 is best suited for this purpose.

For normal Timer operation (GATE1 = 0), setting TR1 allows Timer register TL1 to be incremented by the selected input. Setting GATE1 and TR1 allows external pin INT1# to control Timer operation. This setup can be used to make pulse width measurements.

Timer 1 overflow (count rolls over from all 1s to all 0s) sets the TF1 flag generating an interrupt request.

When Timer 0 is in mode 3, it uses Timer 1's overflow flag (TF1) and run control bit (TR1). For this situation, use Timer 1 only for applications that do not require an interrupt (such as a Baud Rate Generator for the Serial Port) and switch Timer 1 in and out of mode 3 to turn it off and on.

3.4.1. Mode 0 (13-bit Timer)

Mode 0 configures Timer 1 as a 13-bit Timer, which is set up as an 8-bit Timer (TH1 register) with a modulo-32 prescaler implemented with the lower 5 bits of the TL1 register (See Figure 3.1.). The upper 3 bits of TL1 register are ignored. Prescaler overflow increments TH1 register.

3.4.2. Mode 1 (16-bit Timer)

Mode 1 configures Timer 1 as a 16-bit Timer with TH1 and TL1 connected in cascade (See Figure 3.2.). The selected input increments TL1.

3.4.3. Mode 2 (8-bit Timer with Auto-Reload)

Mode 2 configures Timer 1 as an 8-bit Timer (TL1 register) with automatic reload from TH1 register on overflow (See Figure 3.3.). Overflow from TL1 sets overflow flag TF1 in TCON register and reloads TL1 with the contents of TH1, which is preset by software. The reload leaves TH1 unchanged.

3.4.4. Mode 3 (Halt)

Placing Timer 1 in mode 3 causes it to halt and hold its count. This can be used to halt Timer 1 when TR1 run control bit is not available, i.e. when Timer 0 is in mode 3.

3.5. Registers

TCON (088h)

Timer/Counter Control register

TF1	TR1	TF0	TR0	IE1	IT1	IE0	IT0
7	6	5	4	3	2	1	0
Bit Number	Bit Mnemonic	Description					
7	TF1	Timer 1 Overflow flag Cleared by hardware when processor vectors to interrupt routine. Set by hardware on Timer/Counter overflow.					
6	TR1	Timer 1 Run Control bit Clear to turn off Timer/Counter 1. Set to turn on Timer/Counter 1.					
5	TF0	Timer 0 Overflow flag Cleared by hardware when processor vectors to interrupt routine. Set by hardware on Timer/Counter overflow.					
4	TR0	Timer 0 Run Control bit Clear to turn off Timer/Counter 0. Set to turn on Timer/Counter 0.					
3	IE1	Interrupt 1 Edge flag Cleared by hardware when interrupt is processed if edge-triggered (See IT1). Set by hardware when external interrupt is detected out INT1# pin.					
2	IT1	Interrupt 1 Type Control bit Clear to select low level active (level triggered) for external interrupt 1. Set to select falling edge active (edge triggered) for external interrupt 1.					
1	IE0	Interrupt 0 Edge flag Cleared by hardware when interrupt is processed if edge-triggered (See IT0). Set by hardware when external interrupt is detected out INTO# pin.					
0	IT0	Interrupt 0 Type Control bit Clear to select low level active (level triggered) for external interrupt 0. Set to select falling edge active (edge triggered) for external interrupt 0.					

Reset value = 0000 0000B

Figure 3.5. TCON register

TMOD (089h)

Timer/Counter Mode register

GATE1	C/T1#	M11	M01	GATE0	C/T0#	M10	M00															
7	6	5	4	3	2	1	0															
Bit Number	Bit Mnemonic	Description																				
7	GATE1	Timer 1 Gating Control bit Clear to enable Timer 1 whenever TR1 bit is set. Set to enable Timer/Counter 1 only while INT1# pin is high and TR1 bit is set.																				
6	C/T1#	Timer 1 Counter/Timer Select bit Cleared for Timer operation (input from internal system clock). Set for Counter operation (input from T1 input pin).																				
5	M11	Timer 1 Mode Select bits <table border="1"> <thead> <tr> <th>M11</th> <th>M01</th> <th>Operating mode</th> </tr> </thead> <tbody> <tr> <td>0</td> <td>0</td> <td>Mode 0: 8-bit Timer/Counter (TH1) with 5-bit prescaler (TL1)</td> </tr> <tr> <td>0</td> <td>1</td> <td>Mode 1: 16-bit Timer/Counter</td> </tr> <tr> <td>1</td> <td>0</td> <td>Mode 2: 8-bit auto-reload Timer/Counter (TL1). Reloaded from TH1 at overflow</td> </tr> <tr> <td>1</td> <td>1</td> <td>Mode 3: Timer 1 halted. Retains count.</td> </tr> </tbody> </table>						M11	M01	Operating mode	0	0	Mode 0: 8-bit Timer/Counter (TH1) with 5-bit prescaler (TL1)	0	1	Mode 1: 16-bit Timer/Counter	1	0	Mode 2: 8-bit auto-reload Timer/Counter (TL1). Reloaded from TH1 at overflow	1	1	Mode 3: Timer 1 halted. Retains count.
M11	M01							Operating mode														
0	0	Mode 0: 8-bit Timer/Counter (TH1) with 5-bit prescaler (TL1)																				
0	1	Mode 1: 16-bit Timer/Counter																				
1	0	Mode 2: 8-bit auto-reload Timer/Counter (TL1). Reloaded from TH1 at overflow																				
1	1	Mode 3: Timer 1 halted. Retains count.																				
4	M01																					
3	GATE0	Timer 0 Gating Control bit Clear to enable Timer 0 whenever TR0 bit is set. Set to enable Timer/Counter 0 only while INT0# pin is high and TR0 bit is set.																				
2	C/T0#	Timer 0 Counter/Timer Select bit Cleared for Timer operation (input from internal system clock) Set for Counter operation (input from T0 input pin).																				
1	M10	Timer 0 Mode Select bit <table border="1"> <thead> <tr> <th>M10</th> <th>M00</th> <th>Operating mode</th> </tr> </thead> <tbody> <tr> <td>0</td> <td>0</td> <td>Mode 0: 8-bit Timer/Counter (TH0) with 5-bit prescaler (TL0).</td> </tr> <tr> <td>0</td> <td>1</td> <td>Mode 1: 16-bit Timer/Counter.</td> </tr> <tr> <td>1</td> <td>0</td> <td>Mode 2: 8-bit auto-reload Timer/Counter (TL0). Reloaded from TH0 at overflow.</td> </tr> <tr> <td>1</td> <td>1</td> <td>Mode 3: TL0 is an 8-bit timer/counter. TH0 is an 8-bit timer using timer 1's TR1 and TF1 bits.</td> </tr> </tbody> </table>						M10	M00	Operating mode	0	0	Mode 0: 8-bit Timer/Counter (TH0) with 5-bit prescaler (TL0).	0	1	Mode 1: 16-bit Timer/Counter.	1	0	Mode 2: 8-bit auto-reload Timer/Counter (TL0). Reloaded from TH0 at overflow.	1	1	Mode 3: TL0 is an 8-bit timer/counter. TH0 is an 8-bit timer using timer 1's TR1 and TF1 bits.
M10	M00							Operating mode														
0	0	Mode 0: 8-bit Timer/Counter (TH0) with 5-bit prescaler (TL0).																				
0	1	Mode 1: 16-bit Timer/Counter.																				
1	0	Mode 2: 8-bit auto-reload Timer/Counter (TL0). Reloaded from TH0 at overflow.																				
1	1	Mode 3: TL0 is an 8-bit timer/counter. TH0 is an 8-bit timer using timer 1's TR1 and TF1 bits.																				
0	M00																					

Reset value = 0000 0000B

Figure 3.6. TMOD register

Serial I/O Port

4.1. Introduction

This chapter provides instructions on programming the Serial Port and generating the Serial I/O Baud Rates with Timer 1 and the internal Baud Rate Generator. The Serial Input/Output Port supports communication with modems and other external peripheral devices.

The Serial Port provides both synchronous and asynchronous communication modes. It operates as a Universal Asynchronous Receiver and Transmitter (UART) in three full-duplex modes (Modes 1, 2 and 3). Asynchronous transmission and reception can occur simultaneously and at different Baud Rates. The UART supports framing-bit error detection, overrun error detection, multiprocessor communication, and automatic address recognition. The Serial Port also operates in a single synchronous mode (Mode 0).

The synchronous mode (Mode 0) operates either at a single Baud Rate (80C51 compatibility) or at a variable Baud Rate with an independent and internal Baud Rate Generator. Mode 2 can operate at two Baud Rates. Modes 1 and 3 operate over a wide range of Baud Rates, which are generated by Timer 1 and internal Baud Rate Generator.

The Serial Port signals are defined in Table 4.1. and the Serial Port special function registers are described in Table 4.2. Figure 4.1. is a block diagram of the Serial Port.

Table 4.1. Serial Port signals

Name	Type	Description	Multiplexed with
TXD	O	Transmit Data In mode 0, TXD transmits the clock signal. In modes 1, 2 and 3, TXD transmits serial data.	P3.1
RXD	I/O	Receive Data In mode 0, RXD transmits and receives serial data. In mode 1,2 and 3, RXD receives serial data.	P3.0

For the three asynchronous modes, the UART transmits on the TXD pin and receives on the RXD pin. For the synchronous mode (Mode 0), the UART outputs a clock signal on the TXD pin and sends and receives messages on the RXD pin (See Figure 4.1.). SBUF register, which holds received bytes and bytes to be transmitted, actually consists of two physically different registers. To send, software writes a byte to SBUF; to receive, software reads SBUF. The receive shift register allows reception of a second byte before the first byte has been read from SBUF. However, if software has not read the first byte by the time the second byte is received, the second byte will overwrite the first. The UART sets interrupt bits TI and RI on transmission and reception, respectively. These two bits share a single interrupt request and interrupt vector.

Table 4.2. Serial Port SFRs

Mnemonic	Description	Address
SBUF	Serial Buffer Two separate registers comprise the SBUF register. Writing to SBUF loads the transmit buffer and reading SBUF accesses the receive buffer.	S:99h

Mnemonic	Description	Address
SCON	Serial Port Control register Selects the Serial Port operating mode. SCON enables and disables the receiver, framing bit error detection, overrun error detection, multiprocessor communication, automatic address recognition and the Serial Port interrupt bits.	S:98h
SADDR	Serial Address Defines the individual address for a slave device connected on the serial lines.	S:0A9h
SADEN	Serial Address Enable register Specifies the mask byte that is used to define the given address for a slave device.	S:0B9h
BDRCON	Baud Rate Control register Enables and configures the internal Baud Rate register.	S:09Bh
BRL	Baud Rate Reload register Contains the auto-reload value of the Baud Rate Generator.	S:09Ah

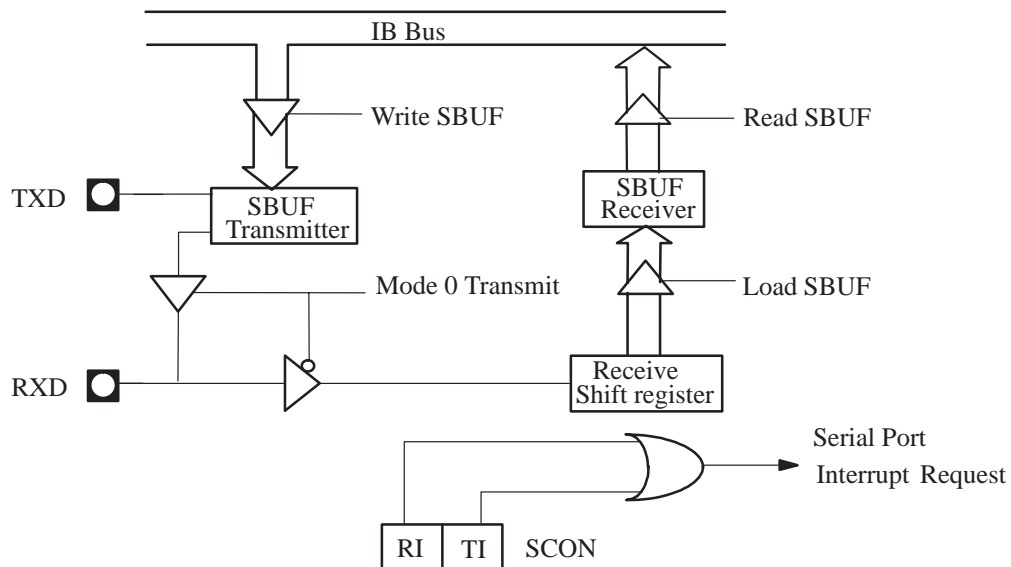


Figure 4.1. Serial Port block diagram

4.2. Modes of Operation

The Serial Port can operate in one synchronous and three asynchronous modes.

4.3. Synchronous Mode (Mode 0)

Mode 0 is a half-duplex, synchronous mode, which is commonly used to expand the I/O capabilities of a device with shift registers. The transmit data (TXD) pin outputs a set of eight clock pulses while the receive data (RXD) pin transmits or receives a byte of data. The 8-bit data are transmitted and received least-significant bit (LSB) first. Shifts occur in the last phase (S6P2) of every peripheral cycle, which corresponds to a Baud Rate of $F_{OSC}/12$. Figure 4.2. shows the timing for transmission and reception in mode 0.

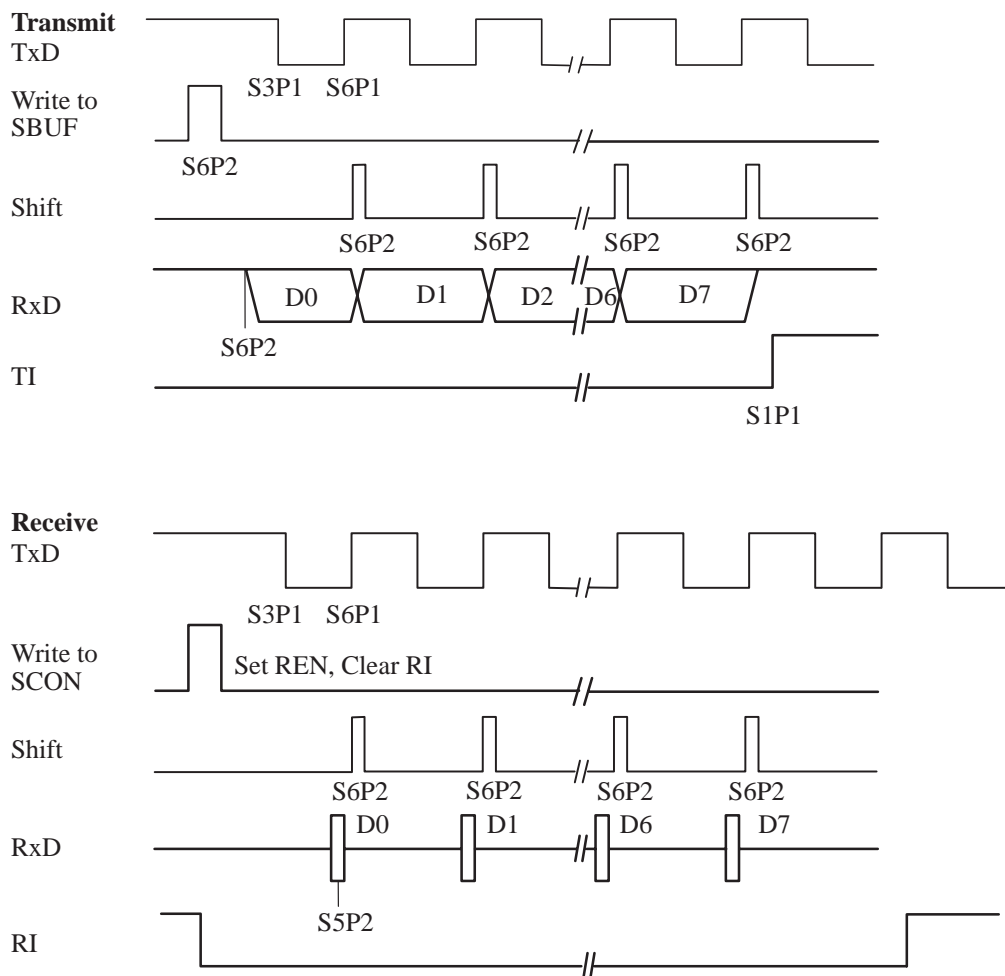


Figure 4.2. Mode 0 timings

4.3.1. Transmission (Mode 0)

Follow these steps to begin a transmission:

- Write to SCON register clearing bits SM0, SM1 and REN.
- Write the byte to be transmitted to the SBUF register. This write starts the transmission.

Hardware executes the write to SBUF in the last phase (S6P2) of a peripheral cycle. At S6P2 of the following cycle, hardware shifts the LSB (D0) onto the RXD pin. At S3P1 of the next cycle, the TXD pin goes low for the first clock–signal pulse. Shifts continue every peripheral cycle. In the ninth cycle after the write to SBUF, the MSB (D7) is on the RXD pin. At the beginning of the 10th cycle, hardware drives the RXD pin high and asserts TI to indicate the end of the transmission.

4.3.2. Reception (Mode 0)

To start a reception in mode 0, write to the SCON register. Clear bits SM0, SM1 and RI and set the REN bit.

Hardware executes the write to SCON in the last phase (S6P2) of a peripheral cycle (See Figure 4.2.). In the second peripheral cycle clock–signal pulse, and the LSB (D0) is sampled on the RXD pin at S5P2. The D0 bit is then shifted into the shift register. After eight shifts at S6P2 of every peripheral cycle, the LSB (D7) is shifted into the shift register, and hardware asserts RI to indicate a completed reception. Software can then read the received byte from SBUF.

4.4. Asynchronous Modes (Modes 1, 2 and 3)

The Serial Port has three asynchronous modes of operation:

- Mode 1
Mode 1 is a full–duplex, asynchronous mode. The data frame (See Figure 4.3.) consists of 10 bits: one start, eight data bits, and one stop bit. Serial data is transmitted on the TXD pin and received on the RXD pin. When a message is received, the stop bit is read in the RB8 bit in SCON register. The Baud Rate is generated either by overflow of timer 1 or by overflow of the internal Baud Rate Generator (see “Baud Rate Generator” paragraph).
- Modes 2 and 3
Modes 2 and 3 are full–duplex, asynchronous modes. The data frame (See Figure 4.3.) consists of 11–bit: one start bit, 8–bit data (transmitted and received LSB first), one programmable ninth data bit, and one stop bit. Serial data is transmitted on the TXD pin and received on the RXD pin. On receive, the ninth bit is read from RB8 bit in SCON register. On transmit, the ninth data bit is written to TB8 bit in SCON register. (Alternatively, you can use the ninth bit as a command/data flag.)
 - In mode 2, the Baud Rate is programmable to 1/32 or 1/64 of the oscillator frequency.
 - In mode 3, the Baud Rate is generated either by overflow of Timer 1 or by overflow of internal Baud Rate Generator.

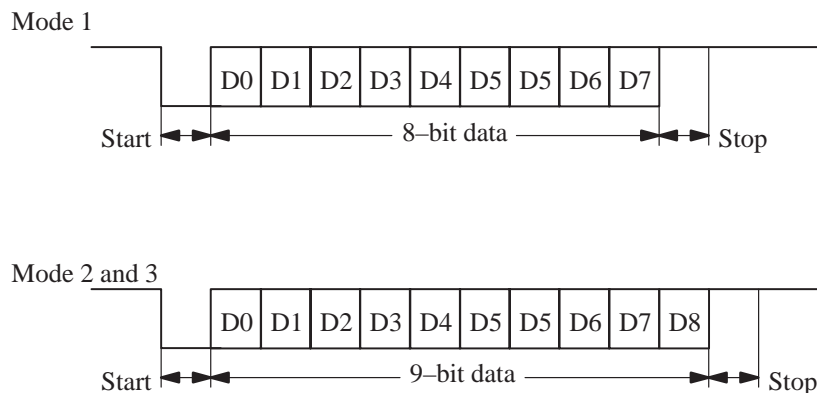


Figure 4.3. Data frames (Modes 1, 2 and 3)

4.4.1. Transmission (Modes 1, 2 and 3)

Follow these steps to initiate a transmission:

- Write to SCON register. Select the mode with SM0 and SM1 bits and clear REN bit. For modes 2 and 3, also write the ninth bit to TB8 bit.
- Write the byte to be transmitted to SBUF register. This write starts the transmission.

4.4.2. Reception (Modes 1, 2 and 3)

To prepare for a reception, set REN bit in SCON register. The actual reception is then initiated by a detected high-to-low transition on the RXD pin.

4.5. Framing Bit Error Detection (Modes 1, 2 and 3)

Framing bit error detection is provided for the three asynchronous modes. To enable the framing bit error detection feature, set SMOD0 bit in PCON register. When this feature is enabled, the receiver checks each incoming data frame for a valid stop bit. An invalid stop bit may result from noise on the serial lines or from simultaneous transmission by two CPUs. If a valid stop bit is not found, the software sets FE bit in SCON register.

Software may examine FE bit after each reception to check for data errors. Once set, only software or a reset clear FE bit. Subsequently received frames with valid stop bits cannot clear FE bit.

4.6. Overrun Error Detection (Modes 1, 2 and 3)

Overrun error detection is provided for the three asynchronous modes. To enable the overrun error detection feature, set SMOD0 bit in PCON register.

This error occurs when a character received and not read by the CPU is overwritten by a new one. Figure 4.4. shows an example of Overrun Error.

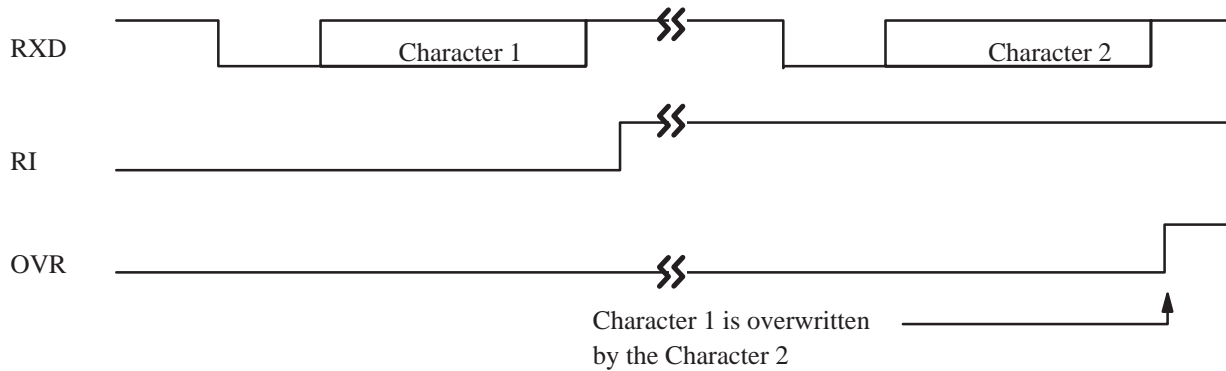


Figure 4.4. Overrun Error (Modes 1, 2 and 3)

In this example Character 1 is received and RI is set. Then a second Character is sent before the CPU has read the first one. The First Character is overwritten by Character 2 and the Overrun Error bit (OVR) is set in SCON register to indicate the error.

4.7. Multiprocessor Communication (Modes 2 and 3)

Modes 2 and 3 provide a ninth-bit mode to facilitate multiprocessor communication. To enable this feature, set SM2 bit in SCON register. When the multiprocessor communication feature is enabled, the Serial Port can differentiate between data frames (ninth bit clear) and address frames (ninth bit set). This allows the microcontroller to function as a slave processor in an environment where multiple slave processors share a single serial line.

When the multiprocessor communication feature is enabled, the receiver ignores frames with the ninth bit clear. The receiver examines frames with the ninth bit set for an address match. If the received address matches the slaves address, the receiver hardware sets RB8 and RI bits in SCON register, generating an interrupt.

Note:

ES bit must be set in IE register to allow RI bit to generate an interrupt.

The addressed slave's software then clears SM2 bit in SCON register and prepares to receive the data bytes. The other slaves are unaffected by these data bytes because they are waiting to respond to their own address.

4.8. Automatic Address Recognition

The automatic address recognition feature is enabled when the multiprocessor communication feature is enabled (SM2 bit in SCON register is set).

Implemented in hardware, automatic address recognition enhances the multiprocessor communication feature by allowing the Serial Port to examine the address of each incoming

command frame. Only when the Serial Port recognizes its own address, the receiver sets RI bit in SCON register to generate an interrupt. This ensures that the CPU is not interrupted by command frames addressed to other devices.

If desired, you may enable the automatic address recognition feature in mode 1. In this configuration, the stop bit takes the place of the ninth data bit. Bit RI is set only when the received command frame address matches the device's address and is terminated by a valid stop bit.

Notes:

- The multiprocessor communication and automatic address recognition features cannot be enabled in mode 0 (i.e, setting SM2 bit in SCON register in mode 0 has no effect).

To support automatic address recognition, a device is identified by a given address and a broadcast address.

4.8.1. Given Address

Each device has an individual address that is specified in SADDR register; the SADEN register is a mask byte that contains don't-care bits (defined by zeros) to form the device's given address. The don't-care bits provide the flexibility to address one or mores slaves at a time. The following example illustrates how a given address is formed.

To address a device by its individual address, the SADEN mask byte must be 1111 1111B.

For example:

SADDR	=	0101 0110B
SADEN	=	1111 1100B
Given	=	0101 01XXB

The following is an example of how to use given addresses to address different slaves:

Slave A:	SADDR	=	1111 0001B
	SADEN	=	1111 1010B
	Given	=	1111 0X0XB
Slave B:	SADDR	=	1111 0011B
	SADEN	=	1111 1001B
	Given	=	1111 0XX1B
Slave C:	SADDR	=	1111 0010B
	SADEN	=	1111 1101B
	Given	=	1111 00X1B

The SADEN byte is selected so that each slave may be addressed separately.

For slave A, bit 0 (the LSB) is a don't-care bit; for slaves B and C, bit 0 is a 1. To communicate with slave A only, the master must send an address where bit 0 is clear (e.g. 1111 0000B).

For slave A, bit 1 is a 0; for slaves B and C, bit 1 is a don't care bit. To communicate with slaves A and B, but not slave C, the master must send an address with bits 0 and 1 both set (e.g. 1111 0011B).

To communicate with slaves A, B and C, the master must send an address with bit 0 set , bit 1 clear, and bit 2 clear (e.g. 1111 0001B).

4.8.2. Broadcast Address

A broadcast address is formed from the logical OR of the SADDR and SADEN registers with zeros defined as don't-care bits, e.g.:

```
SADDR           = 0101 0110B
SADEN           = 1111 1100B
(SADDR) or (SADEN) = 1111 111XB
```

The use of don't-care bits provides flexibility in defining the broadcast address, however in most applications, a broadcast address is 0FFh.

The following is an example of using broadcast addresses:

```
Slave A:  SADDR           = 1111 0001B
          SADEN           = 1111 1010B
          Given           = 1111 1X11B
Slave B:  SADDR           = 1111 0011B
          SADEN           = 1111 1001B
          Given           = 1111 1X11B
Slave C:  SADDR           = 1111 0010B
          SADEN           = 1111 1101B
          Given           = 1111 1111B
```

For slaves A and B, bit 2 is a don't care bit; for slave C, bit 2 is set. To communicate with all of the slaves, the master must send an address FFh.

To communicate with slaves A and B, but not slave C, the master can send an address FBh.

4.8.3. Reset Addresses

On reset, the SADDR and SADEN registers are initialized to 00h, i.e. the given and broadcast addresses are XXXX XXXXB (all don't-care bits). This ensures that the Serial Port is backwards compatible with the 80C51 microcontrollers that do not support automatic address recognition.

4.9. Baud Rates

4.9.1. Internal Baud Rate Generator

The Baud Rate Control register (BDRCON, see Figure 4.9. is added to the TSC80251A1 derivatives in order to manage the new functionality of the UART. Two Baud Rate Generators can supply the transmission clock to the UART: Timer 1 and the internal Baud Rate Generator as detailed below

4.9.2. Baud Rate for Mode 0

The transmission clock is either the internal Baud Rate Generator or the internal fixed prescaler. This selection is done by setting bit SRC in BDRCON register. The transmission clock is shown in Figure 4.5.

By default, after a reset, the bit SRC is cleared and the transmission clock is compatible with 80C51 microcontrollers. Setting this bit to one, selects the internal Baud Rate Generator. The 8-bit register BRL is the reload register of the Baud Rate Generator.

4.9.3. Transmission Clock Selection

- When SRC = 0, the Baud Rate is fully compatible with 80C51 microcontrollers. The 1/12 clock frequency supplies the Baud Rate: $\text{Baud_Rate} = F_{\text{OSC}}/12$
- When SRC = 1, the Baud Rate Generator is selected and is variable in two ranges:
 - When SPD = 1, the Fast mode is selected: $\text{Baud_Rate} = F_{\text{osc}}/[4 \times (256 - \text{BRL})]$
 - When SPD = 0, the Slow mode is selected: $\text{Baud_Rate} = F_{\text{osc}}/[24 \times (256 - \text{BRL})]$.

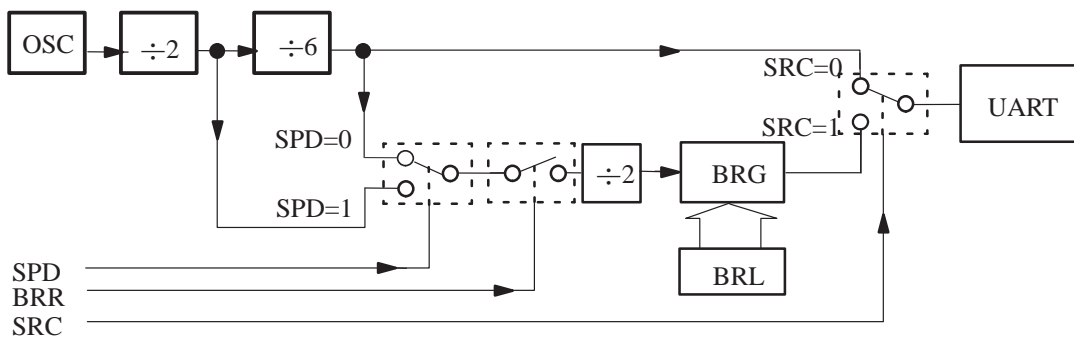


Figure 4.5. Clock transmission sources in mode 0

4.9.4. Baud Rate for Modes 1 and 3

Two Baud Rate Generators can supply the Baud Rate to the UART: Timer 1 and the internal Baud Rate Generator. It is possible to have two different transmission clocks for the transmission and reception.

4.9.4.1. Timer 1

When Timer 1 is used as Baud Rate Generator, the Baud Rates in Modes 1 and 3 are determined by the Timer 1 overflow and the value of SMOD1 as follows:

Mode 1 and 3,

$$\text{Baud_Rate} = \frac{2^{\text{SMOD1}} \times F_{\text{OSC}}}{12 \times 32 \times [256 - (\text{TH1})]}$$

and if the Baud Rate is known the value of TH1 is:

$$\text{TH1} = 256 - \frac{2^{\text{SMOD1}} \times f_{\text{OSC}}}{384 \times \text{Baud_Rate}}$$

The configuration is shown in Figure 4.6.

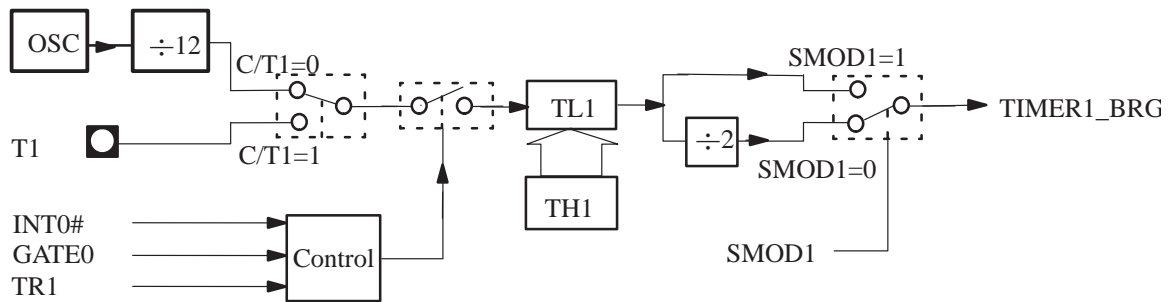


Figure 4.6. Timer 1 as Baud Rate Generator in modes 1 and 3

4.9.4.2. Internal Baud Rate Generator

When the internal Baud Rate Generator is used, the Baud Rates are determined by the BRG overflow, the value of SPD bit (Speed Mode) and the value of the SMOD1 bit (Serial Mode).

$$\text{Baud_Rate} = \frac{2^{\text{SMOD1}} \times F_{\text{OSC}}}{2 \times 32 \times [256 - (\text{BRL})]}$$

$$\text{BRL} = 256 - \frac{2^{\text{SMOD1}} \times F_{\text{OSC}}}{64 \times \text{Baud_Rate}}$$

If the slow Mode is selected (SPD = 0, default mode), the Baud Rate is as follows:

$$\text{Baud_Rate} = \frac{2^{\text{SMOD1}} \times F_{\text{OSC}}}{12 \times 32 \times [256 - (\text{BRL})]}$$

$$\text{BRL} = 256 - \frac{2^{\text{SMOD1}} \times F_{\text{OSC}}}{384 \times \text{Baud_Rate}}$$

The configuration is shown in the Figure 4.7.

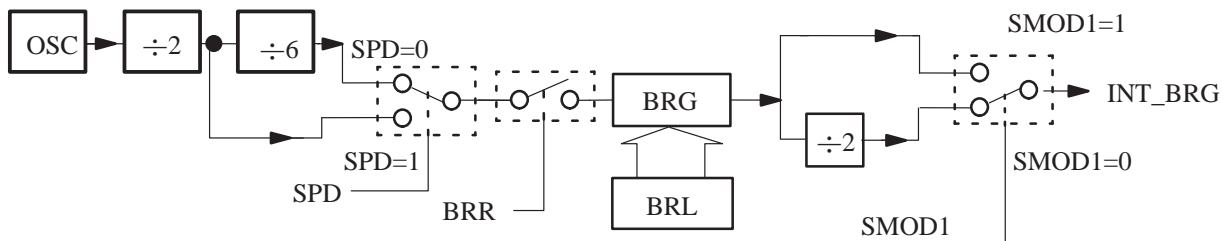


Figure 4.7. Internal Baud Rate Generator in modes 1 and 3

4.9.4.3. Baud Rate Selection

The Baud Rate Generator for transmit and receive clocks can be selected separately via the BDRCON register (See Figure 4.10.)

Figure 4.8. gives the configuration of RBCK and TBCK bits to select the source of RX Clock and TX Clock.

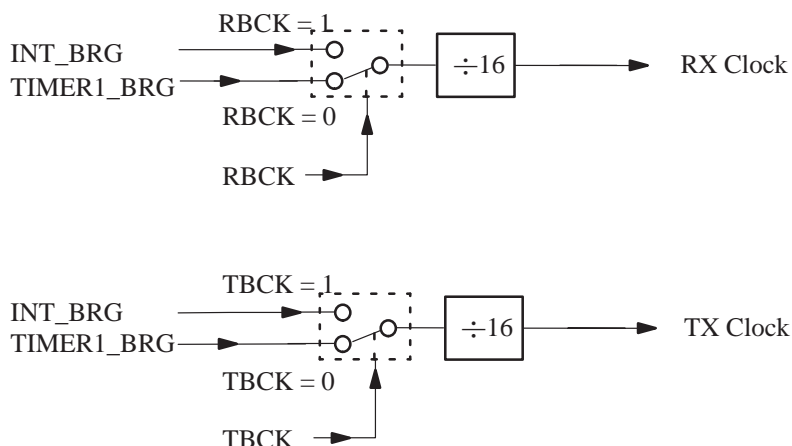


Figure 4.8. Baud Rate Generator selection

4.9.5. Baud Rate for Mode 2

The Baud Rate in mode 2 depends on the value of SMOD1 bit in PCON register. If SMOD1 = 0 (default value on reset), the Baud Rate is 1/64 the oscillator frequency. If SMOD1 = 1, the Baud Rate is 1/32 the oscillator frequency.

The formula is given below:
$$\text{Baud_Rate} = \frac{2^{\text{SMOD1}} \times F_{\text{OSC}}}{64}$$

The configuration is shown in Figure 4.9.

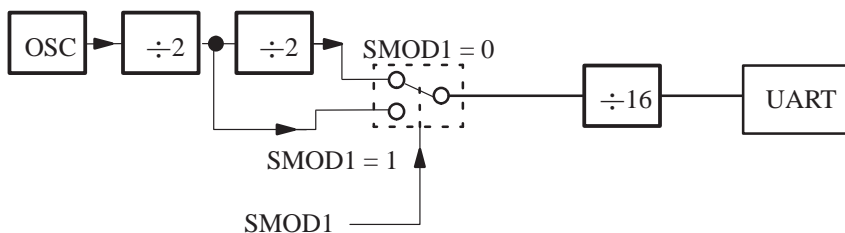


Figure 4.9. UART in mode 2

4.10. Registers

BDRCON (9Bh)

Baud Rate Control register

–	–	–	BRR	TBCK	RBCK	SPD	SRC
7	6	5	4	3	2	1	0

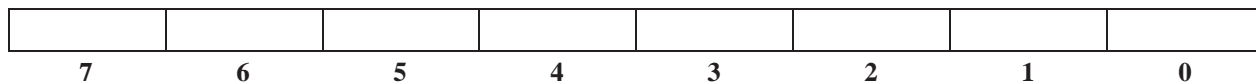
Bit Number	Bit Mnemonic	Description
7	–	Reserved The value read from this bit is indeterminate. Do not set this bit.
6	–	Reserved The value read from this bit is indeterminate. Do not set this bit.
5	–	Reserved The value read from this bit is indeterminate. Do not set this bit.
4	BRR	Baud Rate Run control bit Clear to stop the Baud Rate Set to start the Baud Rate
3	TBCK	Transmission Baud Rate Generator Selection bit Clear to select Timer 1 for the Baud Rate Generator Set to select Internal Baud Rate Generator
2	RBCK	Reception Baud Rate Generator Selection bit Clear to select Timer 1 for the Baud Rate Generator Set to select Internal Baud Rate Generator
1	SPD	Baud Rate Speed control bit Clear to select the SLOW Baud Rate Generator when SRC = 0 Set to select the FAST Baud Rate Generator when SRC = 1
0	SRC	Baud Rate Source select bit in MODE 0 = 1, selects the INTERNAL Baud Rate Generator, = 0, selects the 1/12 clock as the Baud Rate Generator (fixed transmission clock in Mode 0)

Reset value = XXX0 000B

Figure 4.10. BDRCON register

BRL (9Ah)

Baud Rate Reload register (8-bit)

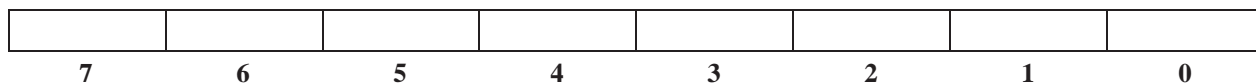


Reset value = 0000 0000B

Figure 4.11. BRL register

SADDR (0A9h)

Serial Address register

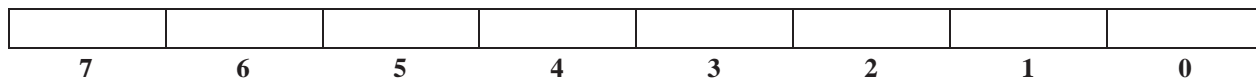


Reset value = 0000 0000B

Figure 4.12. SADDR register

SADEN (0B9h)

Serial Address Enable register

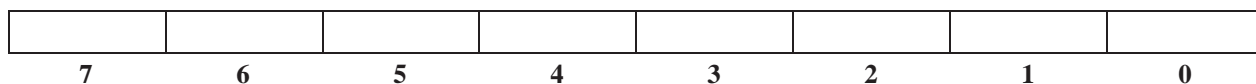


Reset value = 0000 0000B

Figure 4.13. SADEN register

SBUF (099h)

Serial Buffer register



Reset value = XXXX XXXXB

Figure 4.14. SBUF register

SCON (098h)
Serial Control register

FE/SM0	OVR/SM1	SM2	REN	TB8	RB8	TI	RI																									
7	6	5	4	3	2	1	0																									
Bit Number	Bit Mnemonic	Description																														
7	FE SM0	<p>Framing Error bit To select this function, set SMOD0 bit in PCON register. Set by hardware to indicate an invalid stop bit. Must be cleared by software.</p> <p>Serial Port Mode bit 0 To select this function, clear SMOD0 bit in PCON register. Software writes to bits SM0 and SM1 to select the Serial Port operating mode. Refer to SM1 bit for the mode selections.</p>																														
6	OVR SM1	<p>Overrun error bit To select this function, set SMOD0 bit in PCON register. Set by hardware to indicate an overwrite of the receive buffer. Must be cleared by software</p> <p>Serial Port Mode bit 1 To select this function, clear SMOD0 bit in PCON register. Software writes to bits SM1 and SMO to select the Serial Port operating mode.</p> <table border="1"> <thead> <tr> <th>SM0</th> <th>SM1</th> <th>Mode</th> <th>Description</th> <th>Baud Rate</th> </tr> </thead> <tbody> <tr> <td>0</td> <td>0</td> <td>0</td> <td>Shift register</td> <td>F_{OSC}/12 or variable if SRC bit BDRCON register is set</td> </tr> <tr> <td>0</td> <td>1</td> <td>1</td> <td>8-bit UART</td> <td>Variable</td> </tr> <tr> <td>1</td> <td>0</td> <td>2</td> <td>9-bit UART</td> <td>F_{OSC}/32 or F_{OSC}/64</td> </tr> <tr> <td>1</td> <td>1</td> <td>3</td> <td>9-bit UART</td> <td>Variable</td> </tr> </tbody> </table>						SM0	SM1	Mode	Description	Baud Rate	0	0	0	Shift register	F _{OSC} /12 or variable if SRC bit BDRCON register is set	0	1	1	8-bit UART	Variable	1	0	2	9-bit UART	F _{OSC} /32 or F _{OSC} /64	1	1	3	9-bit UART	Variable
SM0	SM1	Mode	Description	Baud Rate																												
0	0	0	Shift register	F _{OSC} /12 or variable if SRC bit BDRCON register is set																												
0	1	1	8-bit UART	Variable																												
1	0	2	9-bit UART	F _{OSC} /32 or F _{OSC} /64																												
1	1	3	9-bit UART	Variable																												
5	SM2	<p>Serial Port Mode bit 2 Software writes to bit SM2 to enable and disable the multiprocessor communication and automatic address recognition features. This allows the Serial Port to differentiate between data and command frames and to recognize slave and broadcast addresses.</p>																														
4	REN	<p>Receiver Enable bit Clear to enable transmission. Set to enable reception.</p>																														
3	TB8	<p>Transmit bit 8 Modes 0 and 1: Not used. Modes 2 and 3: Software writes the ninth data bit to be transmitted to TB8.</p>																														
2	RB8	<p>Receiver bit 8 Mode 0: Not used. Mode 1 (SM2 cleared): Set or cleared by hardware to reflect the stop bit received. Modes 2 and 3 (SM2 set): Set or cleared by hardware to reflect the ninth bit received.</p>																														
1	TI	<p>Transmit Interrupt flag Set by the transmitter after the last data bit is transmitted. Must be cleared by software.</p>																														
0	RI	<p>Receive Interrupt flag Set by the receiver after the stop bit of a frame has been received. Must be cleared by software.</p>																														

Reset value = 0000 0000B

Figure 4.15. SCON register

Pulse Measurement Unit

5.1. Introduction

This chapter describes the Pulse Measurement Unit (PMU) which allows to measure the width and the period of pulses. It is useful for each application using a smart analog sensor which provide a Pulse Width Modulated information.

With standard peripherals, measuring both the period and the width of pulses series involve two Timers, hence two I/O Port lines. The PMU is specially designed to measure the period and the width of pulses using only one Timer and one I/O Port line. Compared to the standard solution, this new one saves one I/O Port line.

5.2. Description

Just after reset, the Pulse Measurement Mode selection bit (PMMOD) bit is equal to zero which places the PMU in test mode (PMU register, see Figure 5.13.). This bit **must be set to one** before any PMU configuration, otherwise the TSC80251A1 behavior is unpredictable.

The PMU includes three identical modules, as shown in Figure 5.1. Each module features one Pulse Measurement Input (PMIn) connected to one pin of Port 1 which provides the pulses to measure. The internal oscillator provide a clock reference common to all the modules to count cycles between pulse edges. When a new measurement is detected, the corresponding Pulse Measurement Finished flag (PMFn) is set. However, if the PMU Timer overflows before the measurement completion, the corresponding PMU overflow flags (PMVn) is set. When any of these flags is set, the PMU interrupt request which is shared by the three modules is sent to the Interrupt System (see IS in section 9).

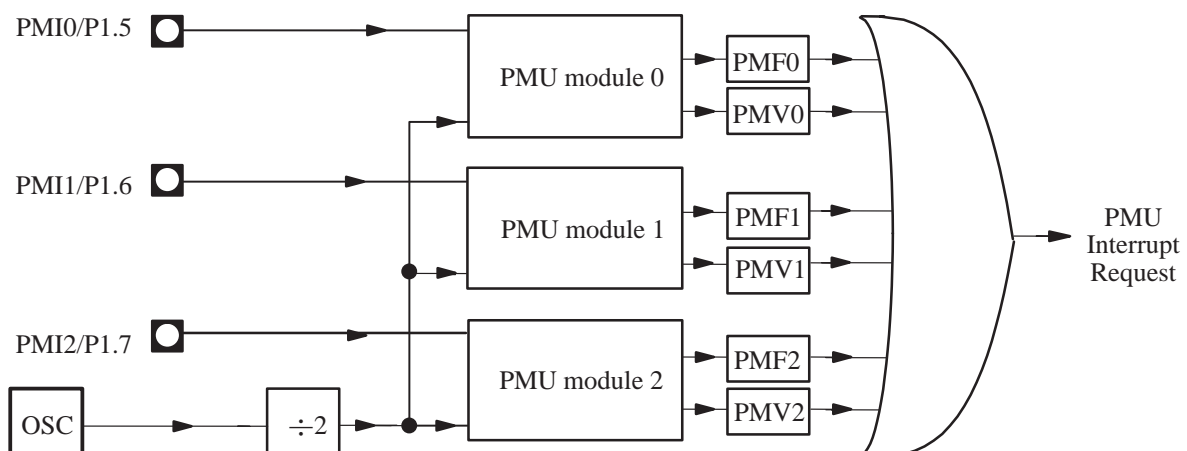


Figure 5.1. PMU block diagram

The PMU module structure is detailed in Figure 5.2. Each module features its own 8-bit Pulse Measurement prescaler (PMSCALn) which allows to adapt the PMU time base to the sensor. If the PMSCALn value is well chosen, the PMPERn value will be comprised between 128 and 255. Using the TSC80251A1 at its nominal speed, the prescaler then allows to achieve a measurement accuracy better than 1% while managing wave periods ranging from 20 μ s to 1 ms.

The PWM ratio is simply obtained by dividing the 8-bit PMU width value (PMWIDn) by the 8-bit PMU Period value (PMPERn). As shown on Figure 5.3., the Timer is set to zero at the beginning of one measurement, hence the errors on the PMPERn value and on the PMWIDn value are both negative (+0/-1 LSB). However, due to the division, the maximum relative error on the PWM ratio then will be +/-1 LSB.

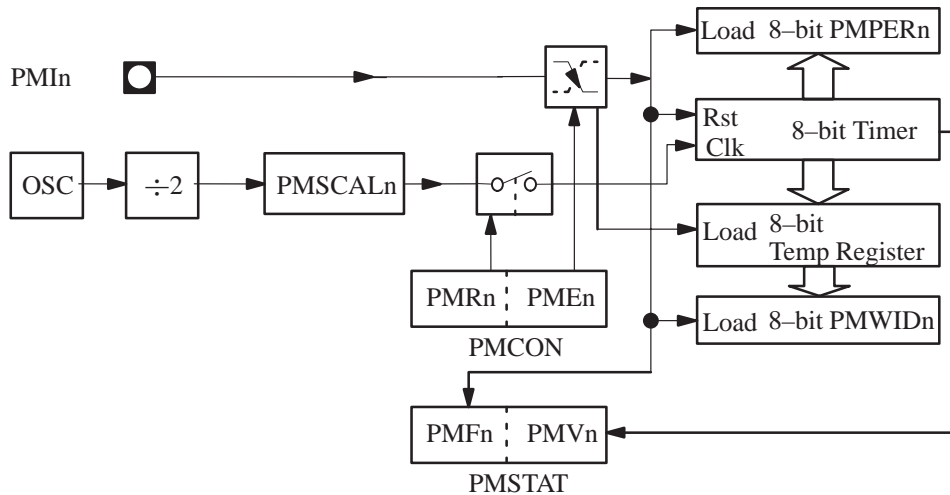


Figure 5.2. PMU module n (n = 0, 1, 2)

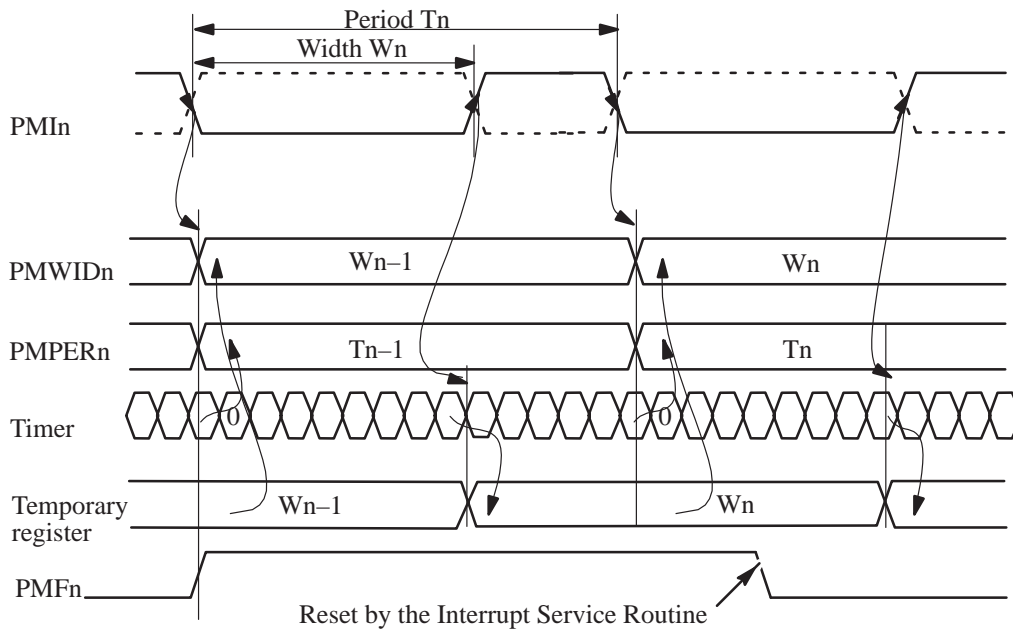


Figure 5.3. PMU measurement

All the status information regarding each module are gathered in the Pulse Measurement Status register (PMSTAT, See Figure 5.12.). When an overflow occurs in one PMU, its PMSCALn value must be increased to slow down the PMU time base until the measured period is less than 256 PMU time base clock cycles.

The Pulse Measurement Control register (PMCON, See Figure 5.5.) allows to enable or disable each PMU module operation through the Pulse Measurement Run control bits (PMRn, n = 0, 1, 2). When PMUn is stopped, its Timer is disabled and its PMPERn and PMWIDn registers are frozen. When PMUn is running, its PMPERn and PMWIDn registers are periodically updated. Hence, in order to get a consistent measurement from PMUn (i.e. PMPERn and PMWIDn values relating to the same period), its flags must be reset by software before any measurement and its measurement must be read as soon as possible after completion (i.e. when PMFn is set and before the end of the next period). When PMUn overflows, it should be stopped before resetting its flag to prevent a false measurement update if the measurement is not yet completed.

The PMCON register also allows to define the input polarity for each PMU through the Pulse Measurement Edge select bits (PMEn). The width measurement is performed either on the low level or the high level state as shown on Figure 5.4.

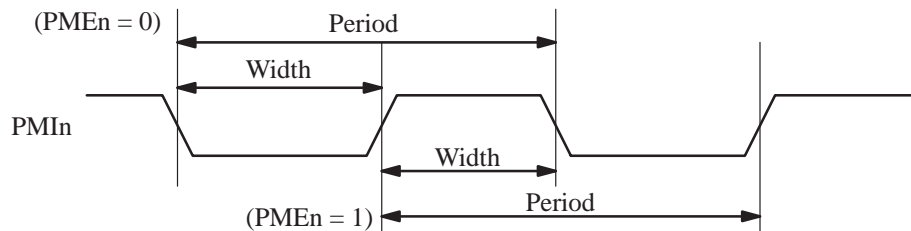


Figure 5.4. Pulse measurement polarity

5.3. Registers

PMCON (0ADh)

Pulse Measurement Control register

–	PME2	PME1	PME0	–	PMR2	PMR1	PMR0
7	6	5	4	3	2	1	0
Bit Number	Bit Mnemonic	Description					
7	–	Reserved The value read from this bit is indeterminate. Do not set this bit.					
6	PME2	Pulse Measurement 2 edge select bit Clear this bit to start PMU module n (n = 2) on falling edge. Set this bit to start PMU module n (n = 2) on rising edge.					
5	PME1	Pulse Measurement 1 edge select bit Clear this bit to start PMU module n (n = 1) on falling edge. Set this bit to start PMU module n (n = 1) on rising edge.					
4	PME0	Pulse Measurement 0 edge select bit Clear this bit to start PMU module n (n = 0) on falling edge. Set this bit to start PMU module n (n = 0) on rising edge.					
3	–	Reserved The value read from this bit is indeterminate. Do not set this bit.					
2	PMR2	Pulse Measurement 2 run control bit Clear this bit to stop PMU module n (n = 2). Set this bit to start PMU module n (n = 2).					
1	PMR1	Pulse Measurement 1 run control bit Clear this bit to stop PMU module n (n = 1). Set this bit to start PMU module n (n = 1).					
0	PMR0	Pulse Measurement 0 run control bit Clear this bit to stop PMU module n (n = 0). Set this bit to start PMU module n (n = 0).					

Reset Value = X000 X000B

Figure 5.5. PMCON register

PMPER0 (0A2h)

Pulse Measurement Period register 0 (8-bit read only)

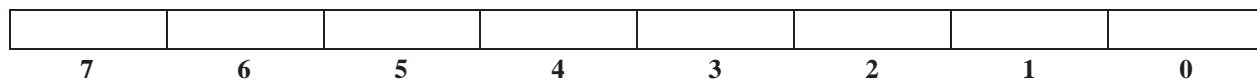
7	6	5	4	3	2	1	0

Reset Value = X000 X000B

Figure 5.6. PMPER0 register

PMPER1 (0A4h)

Pulse Measurement Period register 1 (8-bit read only)

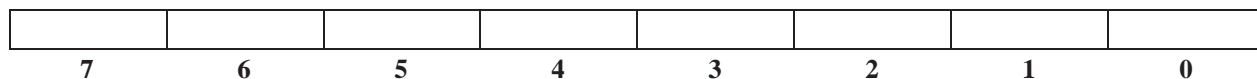


Reset Value = XXXX XXXXB

Figure 5.7. PMPER1 register

PMPER2 (0A6h)

Pulse Measurement Period register 2 (8-bit read only)

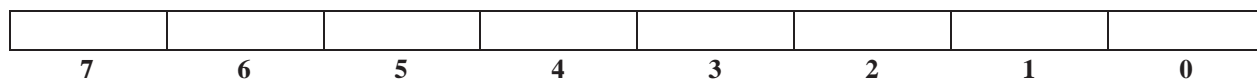


Reset Value = XXXX XXXXB

Figure 5.8. PMPER2 register

PMSCAL0 (0AAh)

Pulse Measurement Prescaler register (8-bit)

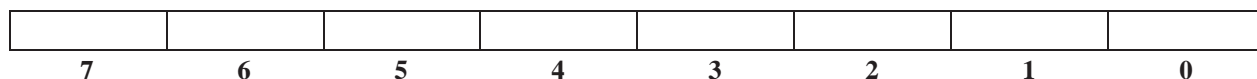


Reset Value = XXXX XXXXB

Figure 5.9. PMSCAL0 register

PMSCAL1 (0ABh)

Pulse Measurement Prescaler register (8-bit)

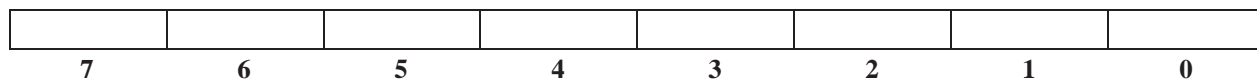


Reset Value = XXXX XXXXB

Figure 5.10. PMSCAL1 register

PMSCAL2 (0ACh)

Pulse Measurement Prescaler register (8-bit)



Reset Value = XXXX XXXXB

Figure 5.11. PMSCAL2 register

PMSTAT (0AEh)

Pulse Measurement Status register

–	PMV2	PMV1	PMV0	–	PMF2	PMF1	PMF0
7	6	5	4	3	2	1	0
Bit Number	Bit Mnemonic	Description					
7	–	Reserved The value read from this bit is indeterminate. Do not set this bit.					
6	PMV2	PMU Overflow flag Set by hardware when an overflow of the Counter has occurred during the pulse measurement. Must be cleared by software.					
5	PMV1	PMU Overflow flag Set by hardware when an overflow of the Counter has occurred during the pulse measurement. Must be cleared by software.					
4	PMV0	PMU Overflow flag Set by hardware when an overflow of the Counter has occurred during the pulse measurement. Must be cleared by software.					
3	–	Reserved The value read from this bit is indeterminate. Do not set this bit.					
2	PMF2	Pulse Measurement flag Cleared by hardware when PMU module 2 is stopped. Set by hardware when PMU module 2 detects a transition. Must be cleared by software to allow a new measurement.					
1	PMF1	Pulse Measurement flag Cleared by hardware when PMU module 1 is stopped. Set by hardware when PMU module 1 detects a transition. Must be cleared by software to allow a new measurement.					
0	PMF0	Pulse Measurement flag Cleared by hardware when PMU module 0 is stopped. Set by hardware when PMU module 0 detects a transition. Must be cleared by software to allow a new measurement.					

Reset Value = X000 X000B

Figure 5.12. PMSTAT register

PMU (09Fh)

Pulse Measurement Unit Mode Control register

–	–	–	–	–	–	–	PMU.0
7	6	5	4	3	2	1	0
Bit Number	Bit Mnemonic	Description					
7	–	Reserved The value read from this bit is indeterminate. Do not set this bit.					
6	–	Reserved The value read from this bit is indeterminate. Do not set this bit.					
5	–	Reserved The value read from this bit is indeterminate. Do not set this bit.					
4	–	Reserved The value read from this bit is indeterminate. Do not set this bit.					
3	–	Reserved The value read from this bit is indeterminate. Do not set this bit.					
2	–	Reserved The value read from this bit is indeterminate. Do not set this bit.					
1	–	Reserved The value read from this bit is indeterminate. Do not set this bit.					
0	PMMOD	Pulse Measurement Unit Must be set to one before any PMU configuration, otherwise the TSC80C251A1 behavior is unpredictable.					

Reset Value = XXXX XXX0B

Figure 5.13. PMU register

PMWID0 (0A3h)

Pulse Measurement Width register (8-bit read only)

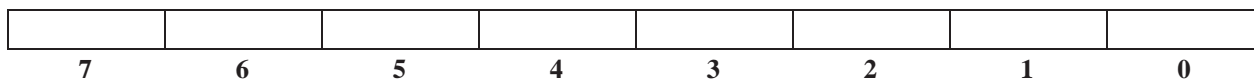
7	6	5	4	3	2	1	0

Reset Value = XXXX XXX0B

Figure 5.14. PMWID0 register

PMWID1 (0A5h)

Pulse Measurement Width register (8-bit read only)

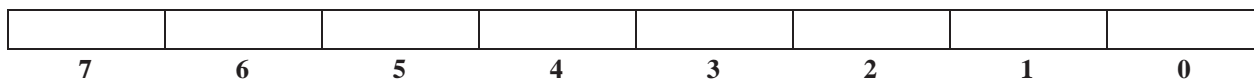


Reset Value = XXXX XXXXB

Figure 5.15. PMWID1 register

PMWID2 (0A7h)

Pulse Measurement Width register (8-bit, read only)



Reset Value = XXXX XXXXB

Figure 5.16. PMWID2 register

Event and Waveform Controller

6.1. Introduction

This chapter describes the Event and Waveform Controller (EWC) which is a superset of the Programmable Counter Array (PCA) found in some 80C51 microcontrollers. This is an on-chip peripheral of the TSC80251A1 which performs a variety of timing and counting operations, including Pulse Width Modulation (PWM).

The EWC can be configured in two modes:

- PCA
- Enhanced PCA (EPCA)

The PCA mode has up to five Compare/Capture modules using the same time base and event Counter. The EPCA mode has the Compare/Capture modules using their own time base and event Counter. The EWC also provides the capability for a software Watchdog Timer (WDT).

6.2. Features

- Compatible with PCA: Programmable Counter Array (PCA mode)
- Enhanced PCA (EPCA mode)
- Programmable Counter mode with 8-bit parallel output on Port 1 (External Counter mode)
- Five 16-bit Counter
- Five 16-bit Compare/Capture modules
- The last module can also be programmed as a Watchdog Timer (WDT)
- Each module may use up to seven clock sources:
 - 1/12 of the clock frequency
 - 1/4 of the clock frequency
 - Timer 0 overflow (Modes 1, 2 and 3)
 - External input on ECI (P1.2)
 - $F_{OSC}/2$ (EPCA mode)
 - Timer 1 overflow (EPCA mode)
 - Baud Rate Generator (EPCA mode)
- Each module can be programmed in any of the following modes:
 - Rising and/or falling edge Capture
 - Software Timer
 - High-speed Output
 - Pulse Width Modulation (PWM)

6.3. PCA Mode

6.3.1. Timers/Counters

Figure 6.1. depicts the basic logic of the Timer/Counter portion of the PCA. The CH/CL special function register pair operates as a 16-bit Timer/Counter. The selected input increments CL (low byte) register. When CL overflows, CH (high byte) register increments after two oscillator periods; when CH overflows, it sets the PCA overflow flag (CF in CCON register) generating a PCA interrupt request if ECF bit in CMOD register is set.

CPS1 and CPS0 bits in CMOD register select one of four signals as the input to the Timer/Counter (See Figure 6.1.):

- $F_{OSC} / 12$
Provides a clock pulse at S5P2 of every peripheral cycle. With $F_{OSC} = 16$ MHz, the Timer/Counter increments every 750 ns.
- $F_{OSC} / 4$
Provides clock pulses at S1P2, S3P2, and S5P2 of every peripheral cycle. With $F_{OSC} = 16$ MHz, the Timer/Counter increments every 250 ns.
- Timer 0 overflow
The CL register is incremented at S5P2 of the peripheral cycle when Timer 0 overflows. This selection provides the PCA with a programmable frequency input.
- External signal on Port 1.2/ECI
The CPU samples the ECI pin at S1P2, S3P2 and S5P2 of every peripheral cycle. The first clock pulse (S1P2, S3P2 or S5P2) that occurs following a high-to-low transition at the ECI pin increments the CL register. The maximum input frequency for this input selection is $F_{OSC} / 8$.

Setting the run control bit (CR in CCON register) turns the PCA Timer/Counter on, if the output of the NAND gate (See Figure 6.1.) equals logic 1. The PCA Timer/Counter continues to operate during idle mode unless CIDL bit of CMOD register is set. CPU can read the contents of CH and CL registers at any time. However, writing to them is inhibited while they are counting i.e., when CR bit is set.

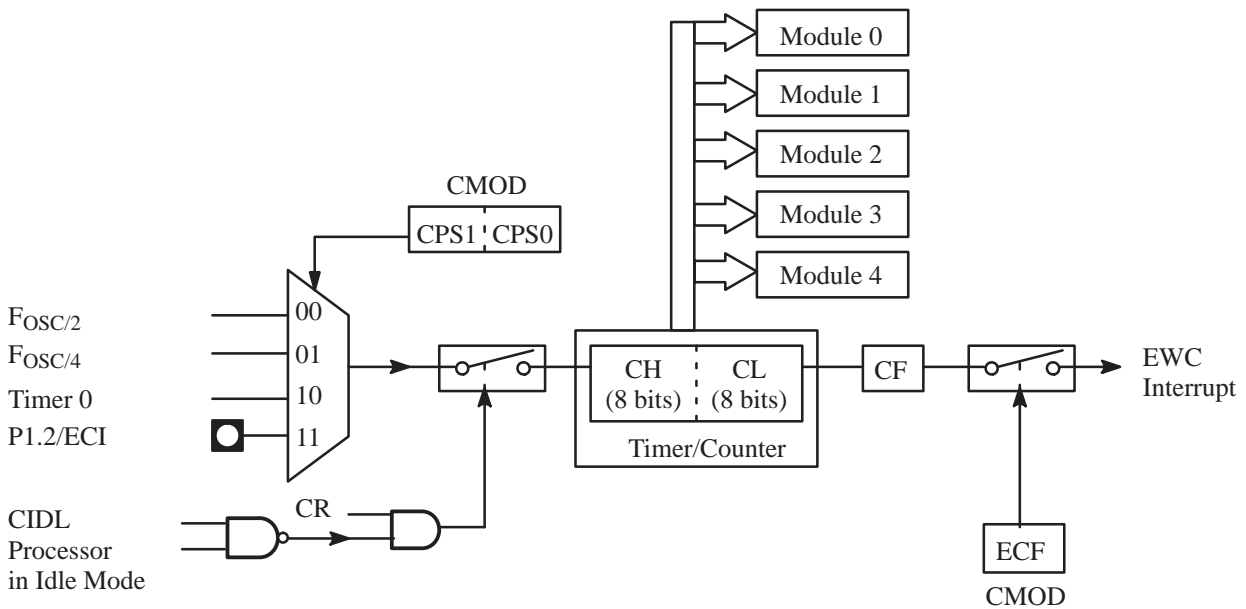


Figure 6.1. EWC Timer/Counter in PCA mode

6.3.2. Compare/Capture Modules

Each Compare/Capture module is made up of a Compare/Capture register pair (CH_x/CL_x; x = 0, 1, 2, 3, 4), a 16-bit comparator and various logic gates and signal transition selectors. The registers store the time or count at which an external event occurred (capture) or at which an action should occur (comparison). For example, in the PWM mode, the low-byte register Counter the duty cycle of the output waveform. The logical configuration of a Compare/Capture module controls depends on its mode of operation.

Each module can be independently programmed for operation in any of the following modes:

- 16-bit Capture mode with triggering on the positive edge, negative edge or either edge
- Compare modes:
 - 16-bit software Timer
 - 16-bit high-speed output
 - 16-bit Watchdog Timer (module 4 only)
 - 8-bit Pulse Width Modulation

The Compare function provides the capability for operating the five modules as Timers, event Counters or Pulse Width Modulators. Four modes employ the Compare function: 16-bit software Timer mode, high-speed output mode, WDT mode and PWM mode. In the first three of these, the Compare/Capture module continuously compares the 16-bit PCA Timer/Counter value with the 16-bit value pre-loaded into the module's CCAPxH/CCAPxL register pair. In the PWM mode, the module continuously compares the value in the low-byte PCA Timer/Counter register (CL) with an 8-bit value in the CCAPxL module register. Comparisons are made three times per peripheral cycle to match the fastest PCA Timer/Counter clocking rate ($F_{OSC}/4$).

Setting ECOMx bit in a module’s mode register (CCAPMx) selects the Compare function for that module. To use the modules in the Compare modes, observe the following general procedure:

- Select the module’s mode of operation.
 - Select the input signal for the PCA Timer/Counter.
 - Load the comparison value into the module’s Compare/Capture register pair.
 - Set the PCA Timer/Counter run Counter bit.
 - After a match causes an interrupt, clear the module’s Compare/Capture flag.
- No operation

Bit combinations programmed into a Compare/Capture module’s mode register (CCAPMx) determine the operation mode. Figure 6.10. provides bit definition and Table 6.1. lists the bit combinations of the available modes. Other bit combinations are invalid and produce undefined results.

The Compare/Capture modules perform their programmed functions when their common time base, the PCA Timer/Counter, runs. The Timer/Counter is turned on and off with CR bit in CCON register. To disable any given module, program it for the “no operation” mode. The occurrence of a Capture, software Timer, or high–speed output event in a Compare/Capture module sets the module’s Compare/Capture flag (CCFx) in CCON register and generates a PCA interrupt request if the corresponding enable bit in CCAPMx register is set.

The CPU can read or write CCAPxH and CCAPxL registers at any time.

Table 6.1. PCA module modes

ECOMx	CAPPx	CAPNx	MATx	TOGx	PWMx	ECCFx	Module Mode
0	0	0	0	0	0	0	No operation
X ⁽²⁾	1	0	0	0	0	X ⁽²⁾	16-bit Capture on positive–edge trigger at CEXx
X ⁽²⁾	0	1	0	0	0	X ⁽²⁾	16-bit Capture on negative–edge trigger at CEXx
X ⁽²⁾	1	1	0	0	0	X ⁽²⁾	16-bit Capture on positive/negative-edge trigger at CEXx
1	0	0	1	0	0	X ⁽²⁾	Compare: software Timer
1	0	0	1	1	0	X ⁽²⁾	Compare: high–speed output
1	0	0	0	0	1	0	Compare: 8–bit PWM
1	0	0	1	X ⁽²⁾	0	X ⁽²⁾	Compare: PCA WDT (CCAPM4 only) ⁽³⁾

Notes:

1. This table shows the CCAPMx register bit combinations for selecting the operating modes of the PCA Compare/Capture modules. Other bit combinations are invalid.
2. X = indetermined; x = 0, 1, 2, 3, 4.
3. For the PCA WDT mode, set also WDTE bit in CMOD register to enable the reset output signal.

6.3.2.1. 16-bit Capture Mode

The Capture mode (See Figure 6.2.) provides the PCA with the ability to measure periods, pulse widths, duty cycles and phase differences at up to five separate inputs. External I/O pins CEXO through CEX4 are sampled for signal transitions (positive and/or negative as specified). When a

Compare/Capture module programmed for the Capture mode detects the specified transition, it captures the PCA Timer/Counter value. This records the time at which an external event is detected, with a resolution equal to the Timer/Counter clock period.

To program a Compare/Capture module for the 16-bit Capture mode, program the CAPPx and CAPNx bits in the module's CCAPMx register as follows:

- To trigger the Capture on a positive transition, set CAPPx and clear CAPNx
- To trigger the Capture on a negative transition, set CAPNx and clear CAPPx
- To trigger the Capture on a positive or negative transition, set both CAPPx and CAPNx

Table 6.1. lists the bit combinations for selecting module modes. For modules in the Capture mode, detection of a valid signal transition at the I/O pin (CEXx) causes hardware to load the current PCA Timer/Counter value into the Compare/Capture registers (CCAPxH/CCAPxL) and to set the module's Compare/Capture flag (CCFx) in the CCON register. If the corresponding interrupt enable bit (ECCFx) in the CCAPMx register is set, a the PCA sends an interrupt request to the EWC interrupt handler.

Since hardware does not clear the event flag when the interrupt is processed, the user must clear the flag by software. A subsequent Capture by the same module overwrites the existing captured value. To preserve a captured value, save it in RAM with the interrupt service routine before the next Capture event occurs.

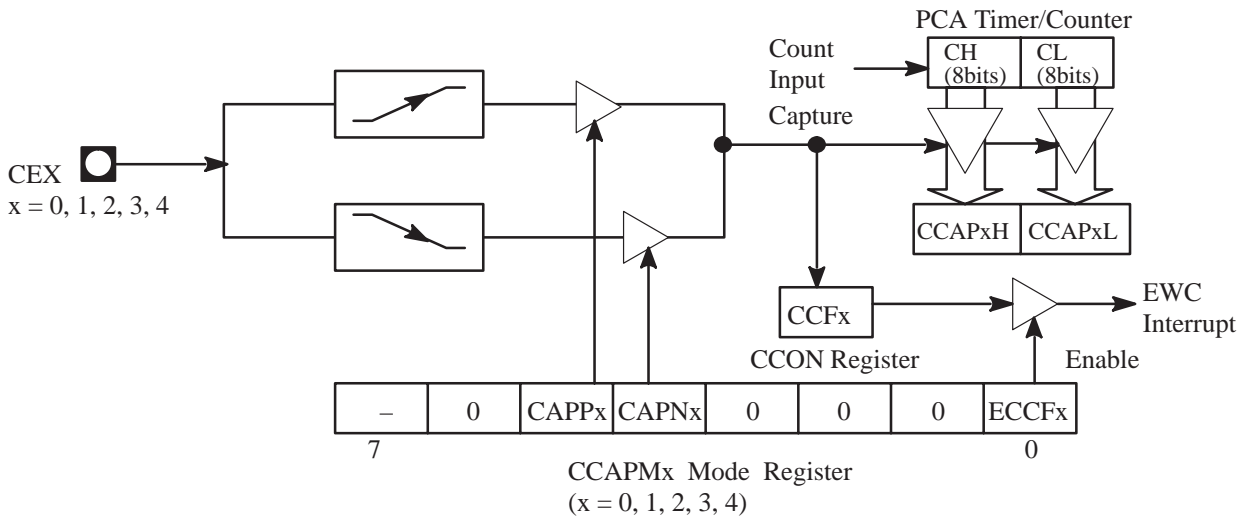


Figure 6.2. PCA 16-bit Capture Mode

6.3.2.2. 16-bit Software Timer Mode

To program a Compare/Capture module for the 16-bit software Timer mode (See Figure 6.3.), set the ECOMx and MATx bits in the module's CCAPMx register. Table 6.1. lists the bit combinations for selecting module modes.

A match between the PCA Timer/Counter and the Compare/Capture registers (CCAPxH/CCAPxL) sets the module's Compare/Capture flag (CCFx in CCON register). This generates an interrupt request if the corresponding interrupt enable bit (ECCFx in CCAPMx register) is set. Since hardware does not clear the Compare/Capture flag when the interrupt is processed, the user must clear the flag in software. During the interrupt routine, a new 16-bit Compare value can be written to the Compare/Capture registers (CCAPxH/CCAPxL).

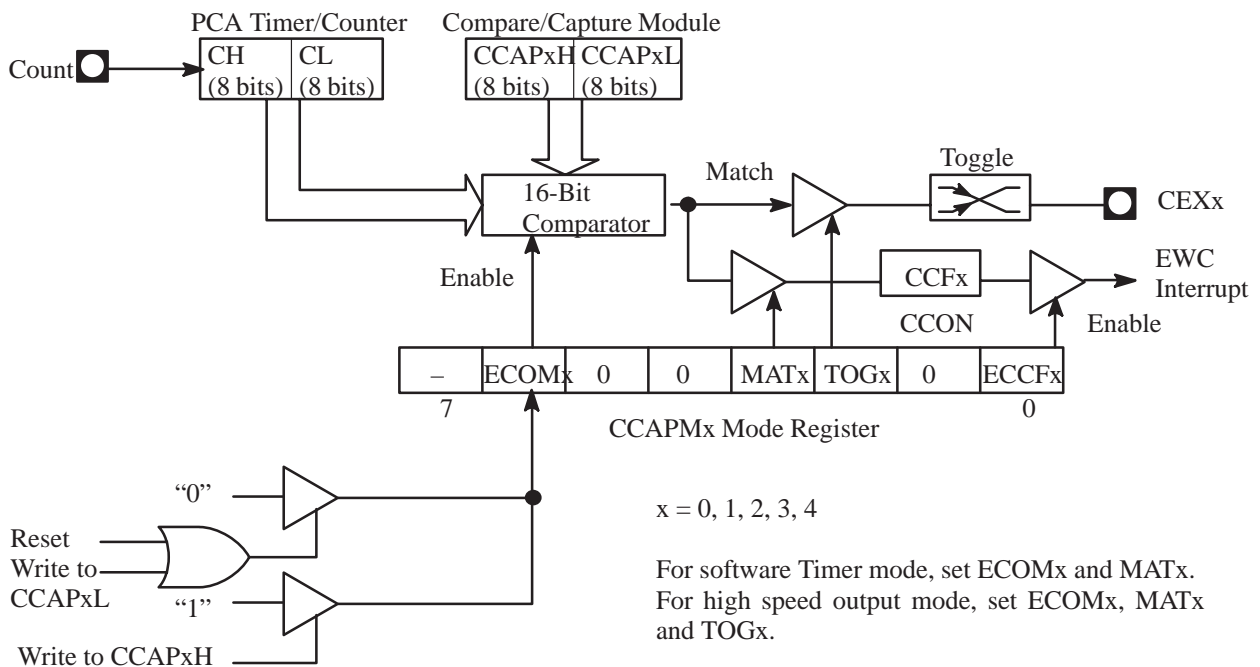


Figure 6.3. PCA Software Timer and High-Speed Output Modes

Note:

To prevent an invalid match while updating these registers, user software should write to CCAPxL first, then CCAPxH. A write to CCAPxL clears the ECOMx bit disabling the Compare-function, while a write to CCAPxH sets the ECOMx bit re-enabling the Compare function.

6.3.2.3. High-Speed Output Mode

The high-speed output mode (See Figure 6.3.) generates an output signal by toggling the module's I/O pin (CEXx) when a match occurs. This provides greater accuracy than toggling pins in software because the toggle occurs before the interrupt request is serviced. Thus, interrupt response time does not affect the accuracy of the output.

To program a Compare/Capture module for the high-speed output mode, set the ECOMx, MATx, TOGx bits in the module's CCAPMx register. Table 6.1. lists the bit combinations for selecting module modes. A match between the PCA Timer/Counter and the Compare/Capture registers (CCAPxH/CCAPxL) toggles the CEXx pin and sets the module's Compare/Capture flag (CCFx in

CCON register). By setting or clearing the CEXx pin in software, the user selects whether the match toggles the pin from low to high or vice versa.

6.3.2.4. Watchdog Timer mode

A Watchdog Timer (WDT) provides the means to recover from routines that do not complete successfully. A WDT automatically invokes a device reset if it does not regularly receive hold-off signals. Watchdog Timers are used in applications that are subject to electrical noise, power glitches, electrostatic discharges, etc., or where high reliability is required.

The PCA provides a 16-bit programmable frequency WDT as a mode option on Compare/Capture module 4. This mode generates a device reset when the count in the PCA Timer/Counter matches the value stored in the module 4 Compare/Capture registers. A PCA WDT reset has the same effect as an external reset.

Module 4 is the only PCA module that has the WDT mode (See Figure 6.4.). When not programmed as a WDT, it can be used in the other modes.

To program module 4 for the PCA WDT mode:

- Set ECOM4 and MAT4 bits in CCAPM4 register and WDTE bit in CMOD register. Table 6.1. lists the bit combinations for selecting module modes.
- Select the desired input for the PCA Timer/Counter by programming CPS0 and CPS1 bits in CMOD register (See Figure 6.15.).
- Enter a 16-bit comparison value in the Compare/Capture registers (CCAP4H/CCAP4L).
- Enter a 16-bit initial value in the PCA Timer/Counter (CH/CL) or use the reset value (0000h).
- The difference between these values multiplied by the PCA input pulse rate determines the running time to "expiration."
- Set the Timer/Counter run Counter bit (CR in CCON register) to start the PCA WDT.
- The PCA WDT generates a reset signal each time a match occurs.
- To hold off a PCA WDT reset, the user has three options:
 - Periodically change the comparison value in CCAP4H/CCAP4L so a match never occurs.
 - Periodically change the PCA Timer/Counter value so a match never occurs.
 - Disable the module 4 reset output signal by clearing WDTE bit before a match occurs, then later re-enable it.

The first two options are more reliable because the Watchdog Timer is not disabled as in the third option. The second option is not recommended if other PCA modules are in use, since the five modules share a common time base. Thus, in most applications the first option is the best one.

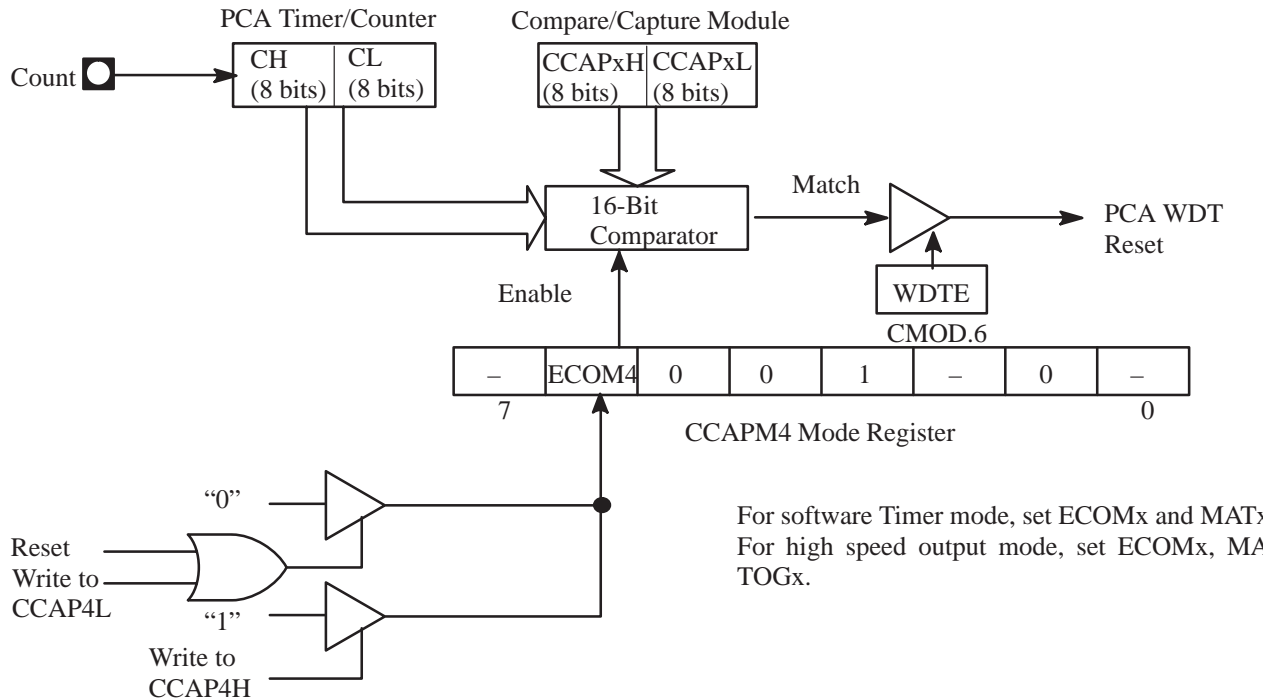


Figure 6.4. PCA Watchdog Timer mode

6.3.2.5. Pulse Width Modulator Mode

The five PCA Compare/Capture modules can be independently programmed to function as Pulse Width Modulators (PWM). The modulated output, which has an 8-bit pulse width resolution is available on CEXx pin. The PWM output can be used to convert digital data to an analog signal with simple external circuitry.

In this mode, the value in the low byte of the PCA Timer/Counter (CL) is continuously compared with the value in the low byte of the Compare/Capture register (CCAPxL; x = 0, 1, 2, 3, 4). When $CL < CCAPxL$, the output waveform is low (See Figure 6.6.). When a match occurs ($CL = CCAPxL$), the output waveform goes high and remains high until CL register rolls over from FFh to 00h, ending the period. At roll-over the output returns to low, the value in CCAPxH register is loaded into CCAPxL register, and a new period begins.

The value in CCAPxL register determines the duty cycle of the current period.

The value in CCAPxH register determines the duty cycle of the following period.

Changing the value in CCAPxL over time modulates the pulse width. As depicted in Figure 6.6. , the 8-bit value in CCAPxL can vary from 0 (100% duty cycle) to 255 (0.4% duty cycle).

To program a Compare/Capture module for the PWM mode:

- Set ECOMx and PWMx bits in the module’s CCAPMx register. Table 6.1. lists the bit combinations for selecting module modes.
- Select the desired input for the PCA Timer/Counter by programming CPS0 and CPS1 bits in CMOD register.
- Enter an 8–bit value in CCAPxL to specify the duty cycle of the first period of the PWM output waveform.
- Enter an 8–bit value in CCAPxH to specify the duty cycle of the second period.
- Set the Timer/Counter run Counter bit (CR in CCON register) to start the PCA Timer/Counter.

Note:

To change the value in CCAPxL without glitches, write the new value to the high byte register (CCAPxH). This value is shifted by hardware into CCAPxL when CL rolls over from FFh to 00h.

The frequency of the PWM output equals the frequency of the PCA Timer/Counter input signal divided by 256. The highest frequency occurs when the $F_{OSC}/4$ input is selected for the PCA Timer/Counter. For $F_{OSC} = 16$ MHz, this is 15.6 KHz.

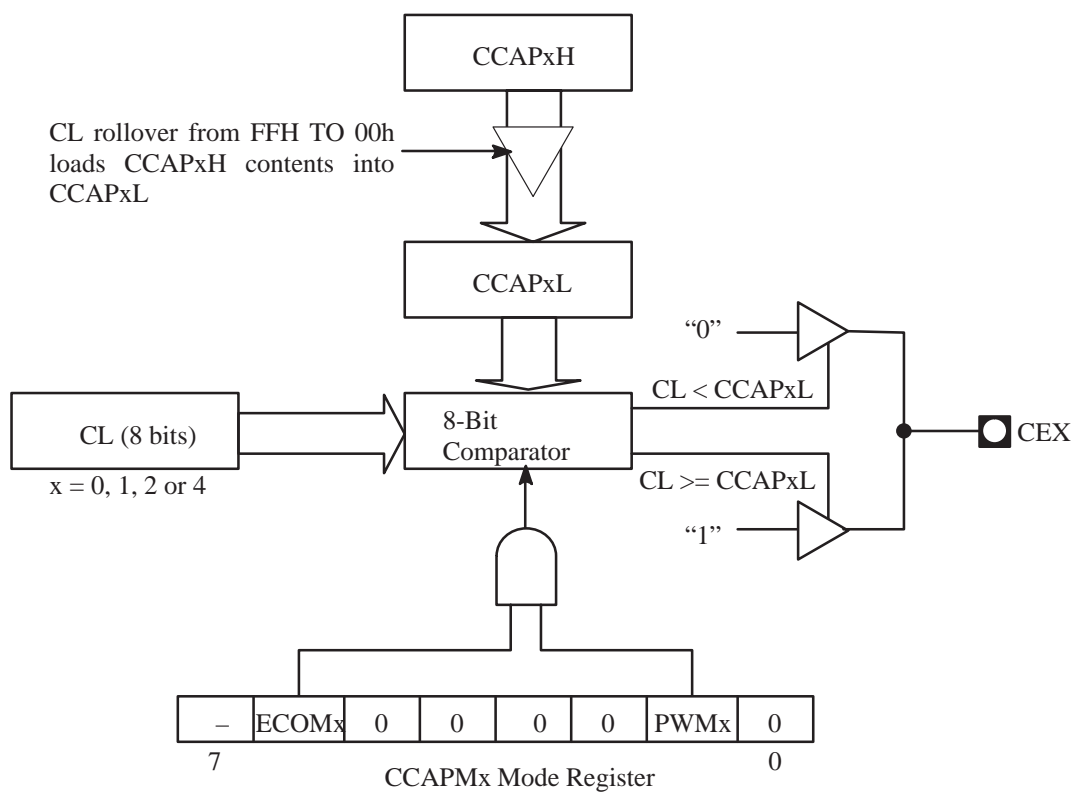


Figure 6.5. PWM mode

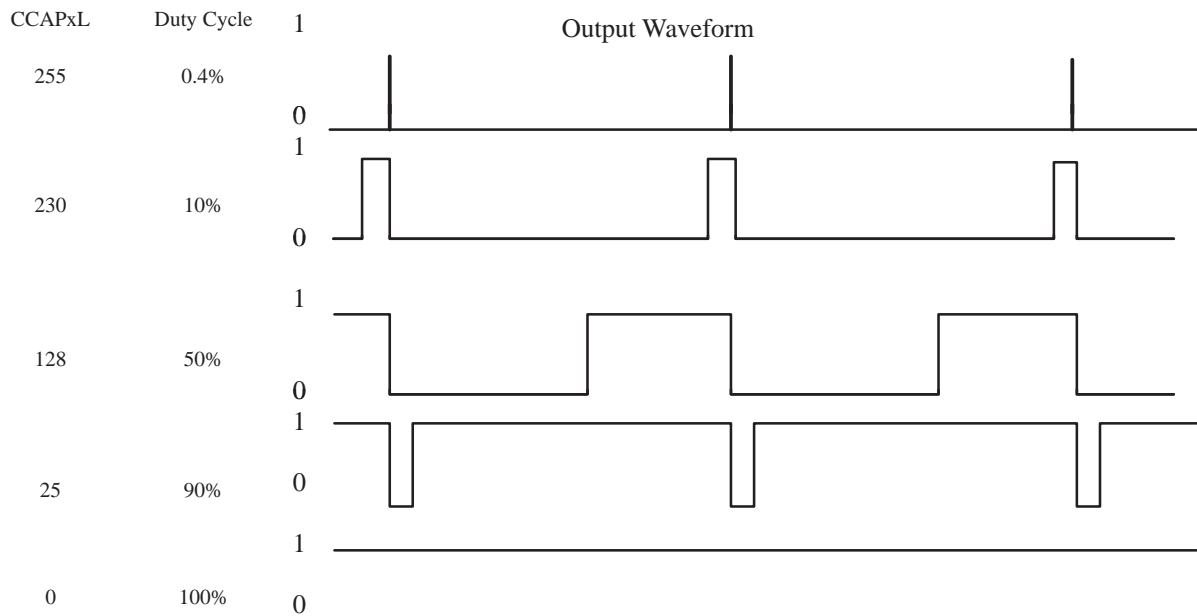


Figure 6.6. PWM variable duty cycle

6.4. Enhanced PCA mode

The Enhanced PCA mode (EPCA) provides all the PCA functionalities with additional features. It has the five Compare/Capture modules using their own EPCA Timer/Counter. One Timer/Counter and its Capture/Compare module form an EPCA unit. These five EPCA units may be linked to form a Time Base Array (TBA).

The EPCA mode is enabled by EPCA bit in CRC register. After reset, EPCA mode is disabled and the EWC is configured in PCA mode.

Please notice that the external Counter mode (See NO TAG) takes precedence over the EPCA mode and should be disabled to have the EPCA working.

6.4.1. Timers/Counters

EPCA mode features five identical Timers/Counters instead of one in PCA mode. Each Timer/Counter is dedicated to one module. The structure of the EPCA unit is shown on Figure 6.7.

EPCA Timers/Counters are very similar to PCA Timer/Counter. The behavior of the Capture/Compare module is exactly the same as in PCA mode. All the differences are highlighted below:

- Independent Counter High and Counter Low registers (CHx and CLx; x = 0, 1, 2, 3, 4). In fact, in EPCA mode, CL is used as CL0 and CH is used as CH0.
- Independent Counter Run Counter bits (CRx; x = 0, 1, 2, 3, 4). These flags are gathered in the Counter Run Counter register (CRC). CR bit of CCON register is not used in EPCA mode.
- Independent Counter Idle Counter bits (CIDLx; x = 0, 1, 2, 3, 4). These flags are in the Counter Mode registers (CMODx; x = 1, 2, 3). CIDL bit of CMOD register is not used in EPCA mode.
- Up to seven different clock sources instead of four. They are selected independently for each Timer/Counter by the Count Pulse Select bits (CPx(2:0); x = 0, 1, 2, 3, 4). Three bits encode seven possible choice and one reserved. If CPx2 = 0, CPx(1:0) is performing the same selection as would CPS1:0 in PCA mode. The three new choices are provided by CPx2 set to one:
 - Fastest clock: $F_{OSC}/4$ is selected by CPx(1:0)=00.
 - Timer 1 overflow: Timer 1 is selected by CPx(1:0)=01.
 - Baud Rate Generator: it is selected by CPx(1:0)=11.
- Independent Counter Overflow flags (CFx; x = 0, 1, 2, 3, 4). These flags are gathered in the Counter Overflow Flag register (COF). CF bit of CCON register is not used in EPCA mode. When a flag is set, it produces an EWC interrupt request if the corresponding Enable Counter Overflow flag (ECFx; x = 0, 1, 2, 3, 4) is set. These flags are gathered in the Enable Counter Overflow Flag register (ECOF). ECF bit of CMOD register is not used in EPCA mode. They must be cleared by software.
- Four independent Compare/Capture interrupt request for CCFx (x = 1, 2, 3, 4). Each of them has its own interrupt vector (See “Interrupt System” chapter). Nevertheless CCF0 bit shares the general EWC interrupt request with the Counter Overflow flags (CFx; x = 0, 1, 2, 3, 4). All CCFx (x = 0, 1, 2, 3, 4) bits are gathered in CCON register as in PCA mode. The Enable CCFx interrupt bits (ECCFx; x = 0, 1, 2, 3, 4) are in the Compare/Capture Module mode registers (CCAPMx; x = 0, 1, 2, 3, 4) which works exactly the same as in PCA mode.

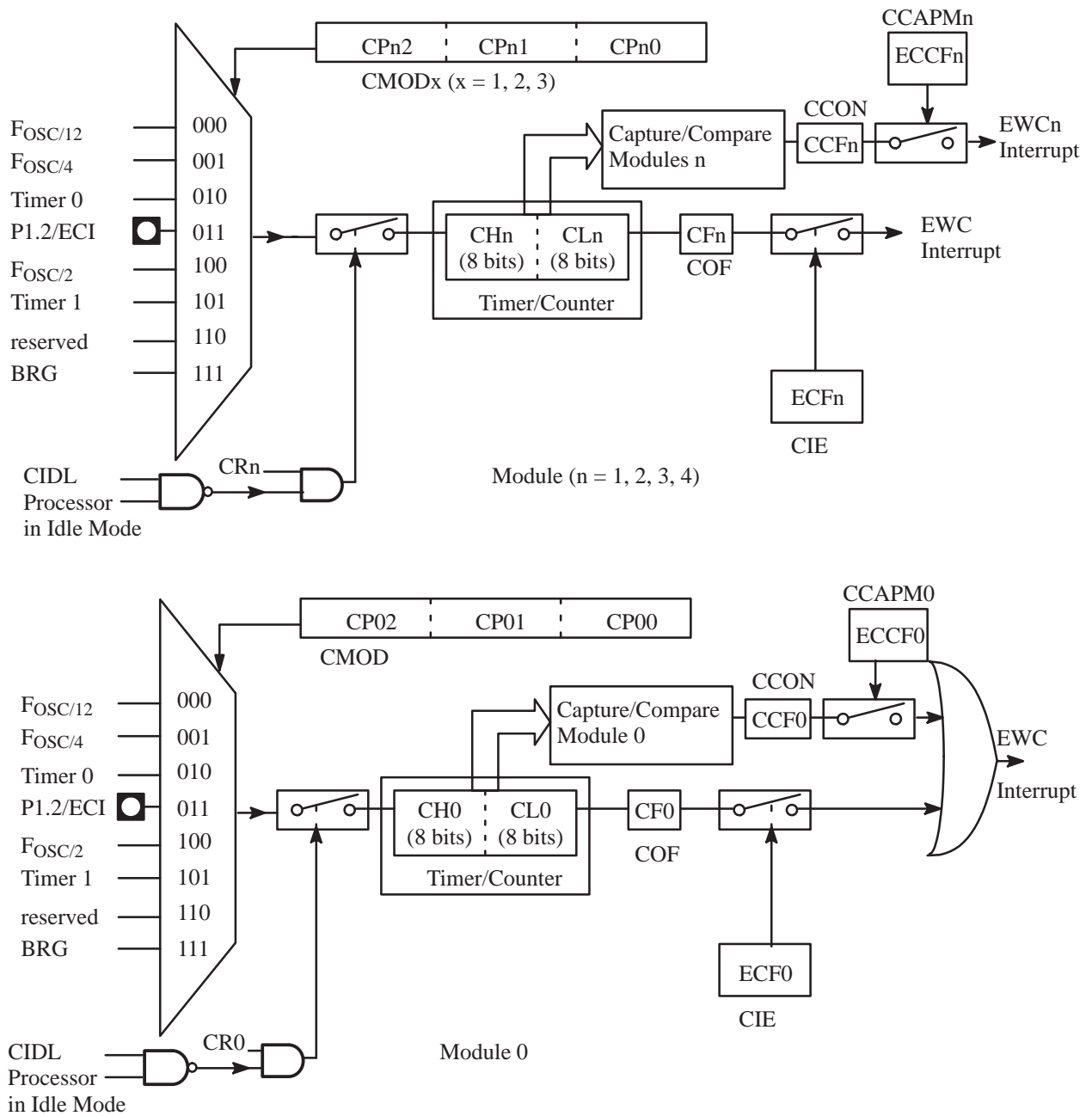


Figure 6.7. EWC Timer/Counter in EPCA mode

6.5. Registers

CCAP0H (0FAh)

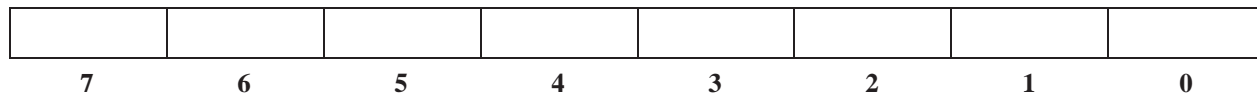
CCAP1H (0FBh)

CCAP2H (0FCh)

CCAP3H (0FDh)

CCAP4H (0FEh)

Compare/Capture Module x (x = 0, 1, 2, 3, 4) High registers



Reset Value = 0000 0000B

Figure 6.8. EWC CCAPxH registers (x = 0, 1, 2, 3, 4)

CCAP0L (0EAh)

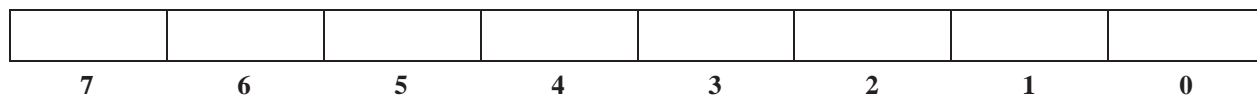
CCAP1L (0EBh)

CCAP2L (0ECh)

CCAP3L (0EDh)

CCAP4L (0EEh)

Compare/Capture Module x (x = 0, 1, 2, 3, 4) Low registers



Reset Value = 0000 0000B

Figure 6.9. EWC CCAPxL registers (x = 0, 1, 2, 3, 4)

CCAPM0 (0DAh)

CCAPM1 (0DBh)

CCAPM2 (0DCh)

CCAPM3 (0DDh)

CCAPM4 (0DEh)

Compare/Capture Module x (x = 0, 1, 2, 3, 4) Mode registers

–	ECOMx	CAPPx	CAPNx	MATx	TOGx	PWMx	ECCFx
7	6	5	4	3	2	1	0
Bit Number	Bit Mnemonic	Description					
7	–	Reserved The value read from this bit is indeterminate. Do not set this bit.					
6	ECOMx	Enable Compare Mode bit Clear to disable the Compare function. Set to enable the Compare function. The Compare function is used to implement the software Timer, high-speed output, PWM and WDT modes.					
5	CAPPx	Capture Mode (Positive) bit Clear to disable the Capture function triggered by a positive edge on CEXx pin. Set to enable the Capture function triggered by a positive edge on CEXx pin.					
4	CAPNx	Capture Mode (Negative) bit Clear to disable the Capture function triggered by a negative edge on CEXx pin. Set to enable the Capture function triggered by a negative edge on CEXx pin.					
3	MATx	Match bit Set by hardware when a match of the PCA Timer/Counter with the Compare/Capture register sets the CCFx bit in the CCON register, flagging an interrupt. Must be cleared by software.					
2	TOGx	Toggle bit The toggle mode is configured by setting ECOMx, MATx and TOGx bits. Set by hardware when a match of the PCA Timer/Counter with the Compare/Capture register toggles the CEXx pin. Must be cleared by software.					
1	PWMx	Pulse Width Modulation Mode bit Set to configure the module for operation as an 8-bit Pulse Width Modulator with output waveform on CEXx pin. Must be cleared by software.					
0	ECCFx	Enable CCFx Interrupt bit Set to enable Compare/Capture flag CCFx in CCON register to generate an interrupt request. Must be cleared by software.					

Reset Value = X000 000B

Figure 6.10. EWC CCAPMx (x = 0, 1, 2, 3, 4) registers

CCON (0D8h)

Timer/Counter Control register

CF	CR	–	CCF4	CCF3	CCF2	CCF1	CCF0
7	6	5	4	3	2	1	0
Bit Number	Bit Mnemonic	Description					
7	CF	PCA Timer/Counter Overflow flag Set by hardware when the PCA Timer/Counter rolls over. This generates a PCA interrupt request if the ECF interrupt enable bit in CMOD register is set. CF can be set by hardware or software but must be cleared by software.					
6	CR	PCA Timer/Counter Run Control bit Clear to turn the PCA Timer/Counter off. Set to turn the PCA Timer/Counter on.					
5	–	Reserved The value read from this bit is indeterminate. Do not set this bit.					
4	CCF4	PCA Module 4 Compare/Capture flag Set by hardware when a match or capture occurs. This generates a PCA interrupt request if the ECCF4 interrupt enable bit in the corresponding CCAPM4 register is set. Must be cleared by software.					
3	CCF3	PCA Module 3 Compare/Capture flag Set by hardware when a match or capture occurs. This generates a PCA interrupt request if the ECCF3 interrupt enable bit in the corresponding CCAPM3 register is set. Must be cleared by software.					
2	CCF2	PCA Module 2 Compare/Capture flag Set by hardware when a match or capture occurs. This generates a PCA interrupt request if the ECCF2 interrupt enable bit in the corresponding CCAPM2 register is set. Must be cleared by software.					
1	CCF1	PCA Module 1 Compare/Capture flag Set by hardware when a match or capture occurs. This generates a PCA interrupt request if the ECCF1 interrupt enable bit in the corresponding CCAPM1 register is set. Must be cleared by software.					
0	CCF0	PCA Module 0 Compare/Capture flag Set by hardware when a match or capture occurs. This generates a PCA interrupt request if the ECCF0 interrupt enable bit in the corresponding CCAPM0 register is set. Must be cleared by software.					

Reset Value = 00X0 0000B

Figure 6.11. EWC CCON register

CH0=CH (0F9h)

CH1 (0F4h)

CH2 (0F5h)

CH3 (0F6h)

CH4 (0F7h)

Counter x (x = 0, 1, 2, 3, 4) High registers

7	6	5	4	3	2	1	0

Reset Value = 0000 0000B

Figure 6.12. EWC CHx registers (x = 0, 1, 2, 3, 4)

CIE (0E3h)

Timer/Counter Interrupt Enable register

–	–	–	ECF4	ECF3	ECF2	ECF1	ECF0
7	6	5	4	3	2	1	0

Bit Number	Bit Mnemonic	Description
7	–	Reserved The value read from this bit is indeterminate. Do not set this bit.
6	–	Reserved The value read from this bit is indeterminate. Do not set this bit.
5	–	Reserved The value read from this bit is indeterminate. Do not set this bit.
4	ECF4	Enable Counter 4 Overflow bit Clear to disable the interrupt generated by CF4 bit in COF register. Set to enable CF4 bit in COF register to generate an interrupt.
3	ECF3	Enable Counter 3 Overflow bit Clear to disable the interrupt generated by CF3 bit in COF register. Set to enable CF3 bit in COF register to generate an interrupt.
2	ECF2	Enable Counter 2 Overflow bit Clear to disable the interrupt generated by CF2 bit in COF register. Set to enable CF2 bit in COF register to generate an interrupt.
1	ECF1	Enable Counter 1 Overflow bit Clear to disable the interrupt generated by CF1 bit in COF register. Set to enable CF1 bit in COF register to generate an interrupt.
0	ECF0	Enable Counter 0 Overflow bit Clear to disable the interrupt generated by CF0 bit in COF register. Set to enable CF0 bit in COF register to generate an interrupt.

Reset Value = XXX0 0000B

Figure 6.13. EWC CIE register

CL0=CL (0E9h)

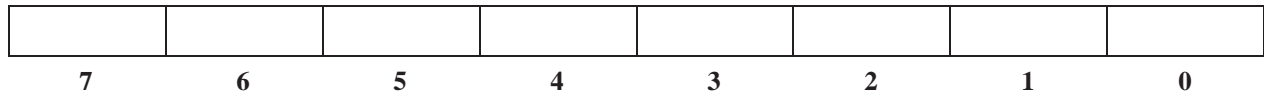
CL1 (0E4h)

CL2 (0E5h)

CL3 (0E6h)

CL4 (0E7h)

Counter x (x = 0, 1, 2, 3, 4) Low registers



Reset Value = 0000 0000B

Figure 6.14. EWC CLx registers (x = 0, 1, 2, 3, 4)

CMOD (0D9h)

Counter Mode register

CIDL	WDTE	–	–	–	CPS1	CPS0	ECF															
7	6	5	4	3	2	1	0															
Bit Number	Bit Mnemonic	Description																				
7	CIDL	Counter Idle Control bit Clear to let the EWC running during Idle mode. Set to stop the EWC running when Idle mode is invoked.																				
6	WDTE	Watchdog Timer Enable bit Clear to disable the Watchdog Timer function on EWC module 4. Set to enable the Watchdog Timer function on EWC module 4.																				
5	–	Reserved The value read from this bit is indeterminate. Do not set this bit.																				
4	–	Reserved The value read from this bit is indeterminate. Do not set this bit.																				
3	–	Reserved The value read from this bit is indeterminate. Do not set this bit.																				
2	CPS1	EWC Count Pulse Select bits <table border="1"> <thead> <tr> <th>CPS1</th> <th>CPS0</th> <th>Clock source</th> </tr> </thead> <tbody> <tr> <td>0</td> <td>0</td> <td>Internal Clock, Fosc/12</td> </tr> <tr> <td>0</td> <td>1</td> <td>Internal Clock, Fosc/4</td> </tr> <tr> <td>1</td> <td>0</td> <td>Timer 0 overflow</td> </tr> <tr> <td>1</td> <td>0</td> <td>External clock at ECI/P1.2 pin (Max. Rate = Fosc/8)</td> </tr> </tbody> </table>						CPS1	CPS0	Clock source	0	0	Internal Clock, Fosc/12	0	1	Internal Clock, Fosc/4	1	0	Timer 0 overflow	1	0	External clock at ECI/P1.2 pin (Max. Rate = Fosc/8)
CPS1	CPS0							Clock source														
0	0							Internal Clock, Fosc/12														
0	1							Internal Clock, Fosc/4														
1	0	Timer 0 overflow																				
1	0	External clock at ECI/P1.2 pin (Max. Rate = Fosc/8)																				
1	CPS0																					
0	ECF	Enable Counter Overflow Interrupt bit Clear to disable the interrupt generated by CF bit in CCON register. Set to enable CF bit in CCON register to generate an interrupt.																				

Figure 6.15. EWC CMOD register

CMOD1 (0DFh)

Counter 1 Mode register

CID1	CP12	CP11	CP10	CID0	CP02	CP01	CP00
7	6	5	4	3	2	1	0
Bit Number	Bit Mnemonic	Description					
7	CID1	Timer/Counter 1 Idle Control bit Clear to let the EWC running during Idle mode. Set to stop the EWC running when Idle mode is invoked.					
6	CP12	EWC Module 1 Count Pulse Select bits					
		<u>CP12</u>	<u>CP11</u>	<u>CP10</u>	<u>Clock source</u>		
		0	0	0	Internal clock, Fosc/12		
		0	0	1	Internal clock, Fosc/4		
5	CP11	0	1	0	Timer 0 overflow		
		0	1	1	External clock at ECI/P1.2 pin (Max. Rate = Fosc/8)		
		1	0	0	Internal clock, Fosc/2		
4	CP10	1	0	1	Timer 1 overflow		
		1	1	0	Reserved		
		1	1	1	Baud Rate Generator overflow		
3	CID0	Timer/Counter 0 Idle Control bit Clear to let the EWC running during Idle mode. Set to stop the EWC running when Idle mode is invoked.					
2	CP02	EWC Module 0 Count Pulse Select bits					
		<u>CP02</u>	<u>CP01</u>	<u>CP00</u>	<u>Clock source</u>		
		0	0	0	Internal clock, Fosc/12		
		0	0	1	Internal clock, Fosc/4		
1	CP01	0	1	0	Timer 0 overflow		
		0	1	1	External clock at ECI/P1.2 pin (Max. Rate = Fosc/8)		
		1	0	0	Internal clock, Fosc/2		
0	CP00	1	0	1	Timer 1 overflow		
		1	1	0	Reserved		
		1	1	1	Baud Rate Generator overflow		

Reset Value = 0000 0000B

Figure 6.16. EWC CMOD1 register

CMOD2 (0EFh)

Counter 2 Mode register

CID3	CP32	CP31	CP30	CID2	CP22	CP21	CP20
7	6	5	4	3	2	1	0
Bit Number	Bit Mnemonic	Description					
7	CID3	Timer/Counter 3 Idle Control bit Clear to let the EWC running during Idle mode. Set to stop the EWC running when Idle mode is invoked.					
6	CP32	EWC Module 3 Count Pulse Select bits					
		CP32	CP31	CP30	Clock source		
		0	0	0	Internal clock, Fosc/12		
		0	0	1	Internal clock, Fosc/4		
5	CP31	0	1	0	Timer 0 overflow		
		0	1	1	External clock at ECI/P1.2 pin (Max. Rate = Fosc/8)		
		1	0	0	Internal clock, Fosc/2		
4	CP30	1	0	1	Timer 1 overflow		
		1	1	0	Reserved		
		1	1	1	Baud Rate Generator overflow		
3	CID2	Timer/Counter 2 Idle Control bit Clear to let the EWC running during Idle mode. Set to stop the EWC running when Idle mode is invoked.					
2	CP22	EWC Module 2 Count Pulse Select bits					
		CP22	CP21	CP20	Clock source		
		0	0	0	Internal clock, Fosc/12		
		0	0	1	Internal clock, Fosc/4		
1	CP21	0	1	0	Timer 0 overflow		
		0	1	1	External clock at ECI/P1.2 pin (Max. Rate = Fosc/8)		
		1	0	0	Internal clock, Fosc/2		
0	CP20	1	0	1	Timer 1 overflow		
		1	1	0	Reserved		
		1	1	1	Baud Rate Generator overflow		

Reset Value = 0000 0000B

Figure 6.17. EWC CMOD2 register

CMOD3 (0FFh)

Counter 3 Mode register

-	-	-	-	CID4	CP42	CP41	CP40
7	6	5	4	3	2	1	0

Bit Number	Bit Mnemonic	Description																								
7	-	Reserved The value read from this bit is indeterminate. Do not set this bit.																								
6	-	Reserved The value read from this bit is indeterminate. Do not set this bit.																								
5	-	Reserved The value read from this bit is indeterminate. Do not set this bit.																								
4	-	Reserved The value read from this bit is indeterminate. Do not set this bit.																								
3	CID4	Timer/Counter 4 Idle Control bit Clear to let the EWC running during Idle mode. Set to stop the EWC running when Idle mode is invoked.																								
2	CP42	EWC Module 4 Count Pulse Select bits <table border="1" style="width: 100%; border-collapse: collapse;"> <thead> <tr> <th style="text-align: center;">CP42</th> <th style="text-align: center;">CP41</th> <th style="text-align: center;">CP40</th> <th style="text-align: left;">Clock source</th> </tr> </thead> <tbody> <tr> <td style="text-align: center;">0</td> <td style="text-align: center;">0</td> <td style="text-align: center;">0</td> <td>Internal clock, Fosc/12</td> </tr> <tr> <td style="text-align: center;">0</td> <td style="text-align: center;">0</td> <td style="text-align: center;">1</td> <td>Internal clock, Fosc/4</td> </tr> <tr> <td style="text-align: center;">0</td> <td style="text-align: center;">1</td> <td style="text-align: center;">0</td> <td>Timer 0 overflow</td> </tr> <tr> <td style="text-align: center;">0</td> <td style="text-align: center;">1</td> <td style="text-align: center;">1</td> <td>External clock at ECI/P1.2 pin (Max. Rate = Fosc/8)</td> </tr> <tr> <td style="text-align: center;">1</td> <td style="text-align: center;">0</td> <td style="text-align: center;">0</td> <td>Internal clock, Fosc/2</td> </tr> </tbody> </table>	CP42	CP41	CP40	Clock source	0	0	0	Internal clock, Fosc/12	0	0	1	Internal clock, Fosc/4	0	1	0	Timer 0 overflow	0	1	1	External clock at ECI/P1.2 pin (Max. Rate = Fosc/8)	1	0	0	Internal clock, Fosc/2
CP42	CP41		CP40	Clock source																						
0	0	0	Internal clock, Fosc/12																							
0	0	1	Internal clock, Fosc/4																							
0	1	0	Timer 0 overflow																							
0	1	1	External clock at ECI/P1.2 pin (Max. Rate = Fosc/8)																							
1	0	0	Internal clock, Fosc/2																							
1	CP41																									
0	CP40	<table border="1" style="width: 100%; border-collapse: collapse;"> <tbody> <tr> <td style="text-align: center;">1</td> <td style="text-align: center;">0</td> <td style="text-align: center;">1</td> <td>Timer 1 overflow</td> </tr> <tr> <td style="text-align: center;">1</td> <td style="text-align: center;">1</td> <td style="text-align: center;">0</td> <td>Reserved</td> </tr> <tr> <td style="text-align: center;">1</td> <td style="text-align: center;">1</td> <td style="text-align: center;">1</td> <td>Baud Rate Generator overflow</td> </tr> </tbody> </table>	1	0	1	Timer 1 overflow	1	1	0	Reserved	1	1	1	Baud Rate Generator overflow												
1	0	1	Timer 1 overflow																							
1	1	0	Reserved																							
1	1	1	Baud Rate Generator overflow																							

Reset Value = 0000 0000B

Figure 6.18. EWC CMOD3 register

COF (0E1h)

Timer/Counter Overflow Flag register

Bit Number	Bit Mnemonic	Description
7	–	Reserved The value read from this bit is indeterminate. Do not set this bit.
6	–	Reserved The value read from this bit is indeterminate. Do not set this bit.
5	–	Reserved The value read from this bit is indeterminate. Do not set this bit.
4	CF4	EWC Timer/Counter 4 Overflow flag Set by hardware when the Counter rolls over. CF4 flags an interrupt if ECF4 bit in ECF register is set. CF4 can be set by hardware or software but must be cleared by software
3	CF3	EWC Timer/Counter 3 Overflow flag Set by hardware when the Counter rolls over. CF3 flags an interrupt if ECF3 bit in ECF register is set. CF3 can be set by hardware or software but must be cleared by software.
2	CF2	EWC Timer/Counter 2 Overflow flag Set by hardware when the Counter rolls over. CF2 flags an interrupt if ECF2 bit in ECF register is set. CF2 can be set by hardware or software but must be cleared by software.
1	CF1	EWC Timer/Counter 1 Overflow flag Set by hardware when the Counter rolls over. CF1 flags an interrupt if ECF1 bit in ECF register is set. CF1 can be set by hardware or software but must be cleared by software.
0	CF0	EWC Timer/Counter 0 Overflow flag Set by hardware when the Counter rolls over. CF0 flags an interrupt if ECF0 bit in ECF register is set. CF0 can be set by hardware or software but must be cleared by software.

Reset Value = XXX0 000B

Figure 6.19. EWC COF register

CRC (0E2h)

Counter Run Control register

STPM	–	MODE	CR4	CR3	CR2	CR1	CR0
7	6	5	4	3	2	1	0
Bit Number	Bit Mnemonic	Description					
7	STPM	Stop Mode bit Clear to stop the Counter immediately upon a reset of the CR0 bit. Set to stop the Counter after the roll-over upon a reset of the CR0 bit.					
6	–	Reserved The value read from this bit is indeterminate. Do not set this bit.					
5	MODE	PCA/EPCA bit Clear to configure the EWC in PCA mode (configuration per default, after a hardware reset). Set to configure the EWC in EPCA mode. In that case, CR bit in CCON register is don't care.					
4	CR4	EWC Timer/Counter 4 Run bit If the MODE bit is cleared, setting this bit is irrelevant. Clear to turn the EWC Timer/Counter 4 off. Set to turn the EWC Timer/Counter 4 on.					
3	CR3	EWC Timer/Counter 3 Run bit If the MODE bit is cleared, setting this bit is irrelevant. Clear to turn the EWC Timer/Counter 3 off. Set to turn the EWC Timer/Counter 3 on.					
2	CR2	EWC Timer/Counter 2 Run bit If the MODE bit is cleared, setting this bit is irrelevant. Clear to turn the EWC Timer/Counter 2 off. Set to turn the EWC Timer/Counter 2 on.					
1	CR1	EWC Timer/Counter 1 Run bit If the MODE bit is cleared, setting this bit is irrelevant. Clear to turn the EWC Timer/Counter 1 off. Set to turn the EWC Timer/Counter 1 on.					
0	CR0	EWC Timer/Counter 0 Run bit If the MODE bit is cleared, setting this bit is irrelevant. Clear to turn the EWC Timer/Counter 0 off. Set to turn the EWC Timer/Counter 0 on.					

Reset Value = 0000 0000B

Figure 6.20. EWC CRC register

8-bit Analog to Digital Converter

7.1. Introduction

This chapter describes the Analog to Digital Converter (ADC) and the relating SFR. This ADC is a key for digital processing of real world phenomena when electronic sensors providing a voltage analogy to physical phenomena are used.

7.2. Description

Figure 7.1. shows the ADC structure. It consists of a 4–input analog multiplexer followed by a sample and hold and an 8–bit successive approximation Analog/Digital (A/D) converter. It only requires an external Voltage Reference (Vref) with no other support component. This pin is next to the Analog ground pin (AVSS) to optimize its decoupling. The analog inputs (AN0 to AN3) are next to Vref which allows to easily shield all the analog pins using an AVSS guard ring.

AN0 to AN3 are alternate function of Port 1. Digital inputs on Port 1 can be read any time during an A/D conversion. However, special care should be taken in mixing analog and digital signals on these pins, which may cause cross–talk and degrades the ADC accuracy. Furthermore, if one of these pins is selected to perform a conversion, it will return a digital one when read while the conversion is in progress.

The acquisition is controlled by the ADC Control register (ADCON, See Figure 7.3.). The multiplexer selects one of the four possible analog inputs according to the number coded in two address bits (ADDR1 and ADDR0). Then the ADC Start bit (ADCS) allows to begin an acquisition by setting it to one. It remains set until the end of the conversion, then it automatically reset. This may takes up to 600 oscillator clock periods. This conversion time includes an acquisition time: this is the sum of the times required for the muxed analog signal to settle after the multiplexer command is selected and for the sample and hold procedure to complete.

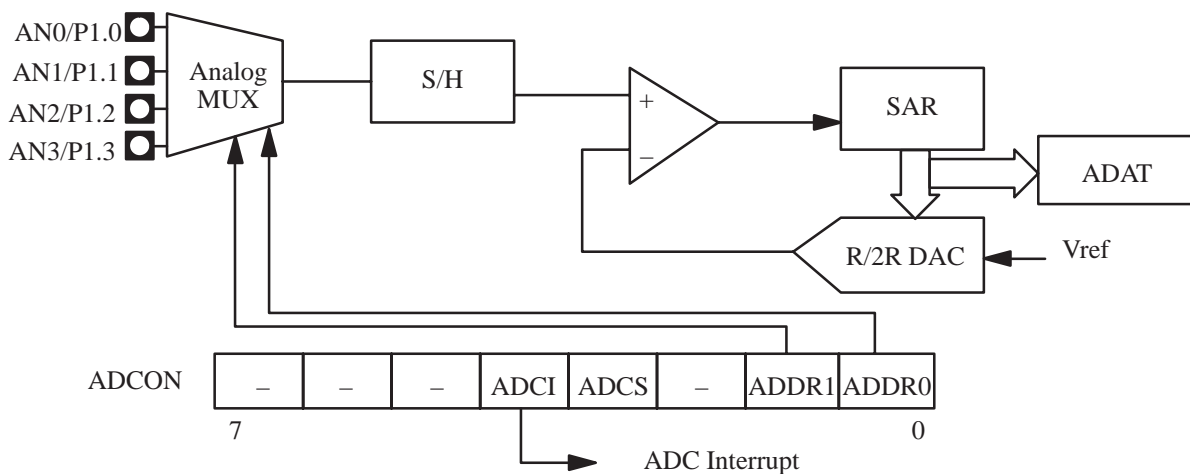


Figure 7.1. Analog Digital Converter structure

No new acquisition can begin while ADCS bit is set (i.e. a conversion is in progress) and this bit cannot be reset by software. When a new result is ready in the 8-bit ADC Data register (ADAT), when the conversion is completed, the ADC Interrupt bit (ADCI) is set and an ADC interrupt request is sent to the Interrupt System (see “Interrupt System” chapter). This bit must be reset by software when the contents of ADAT register can be disposed of (i.e. after it has been read by the interrupt service routine). Then a new acquisition can be requested (i.e. ADCS bit cannot be set while ADCI bit is set). ADCI bit and ADAT register are preserved in Idle mode and in Power-Down mode (see “Power Monitoring and Management” chapter), hence an already completed conversion is not lost. A conversion in progress will be aborted when entering the Idle mode, while it may not be aborted when entering in Power-Down mode. Therefore, it is recommended to wait for ADCS bit is zero before going into this mode, otherwise ADCI bit and ADAT register may change and a false interrupt may occur when this mode is exited through an interrupt. After a hardware reset, ADCON is set to its default value and the Analog to Digital Converter is inactive.

7.3. Registers

ADAT (0C6h)

Analog Data register (8-bit, read only)

7	6	5	4	3	2	1	0

Reset value = XXXX XXXXB

Figure 7.2. ADAT register

ADCON (0C5h)

ADC Control register

–	–	–	ADCI	ADCS	–	ADDR1	ADDR0
7	6	5	4	3	2	1	0

Bit Number	Bit Mnemonic	Description															
7	–	Reserved The value read from this bit is indeterminate. Do not set this bit.															
6	–	Reserved The value read from this bit is indeterminate. Do not set this bit.															
5	–	Reserved The value read from this bit is indeterminate. Do not set this bit.															
4	ADCI	ADC Interrupt flag Set by hardware when an A/D result is ready to be read. An interrupt is invoked if the ADC interrupt flag is enabled. Must be cleared by software.															
3	ADCS	ADC Start and Status bit Cleared by hardware when the A/D conversion is completed, then ADCI is set. Set to start an A/D conversion.															
2	–	Reserved The value read from this bit is indeterminate. Do not set this bit.															
1	ADDR1	Input Channel Selection bits <table border="1" style="margin-left: 20px;"> <thead> <tr> <th style="text-align: center;">ADDR1</th> <th style="text-align: center;">ADDR0</th> <th style="text-align: center;">Input pin selection</th> </tr> </thead> <tbody> <tr> <td style="text-align: center;">0</td> <td style="text-align: center;">0</td> <td style="text-align: center;">AN0 (P1.0)</td> </tr> <tr> <td style="text-align: center;">0</td> <td style="text-align: center;">1</td> <td style="text-align: center;">AN1 (P1.1)</td> </tr> <tr> <td style="text-align: center;">1</td> <td style="text-align: center;">0</td> <td style="text-align: center;">AN2 (P1.2)</td> </tr> <tr> <td style="text-align: center;">1</td> <td style="text-align: center;">1</td> <td style="text-align: center;">AN3 (P1.3)</td> </tr> </tbody> </table>	ADDR1	ADDR0	Input pin selection	0	0	AN0 (P1.0)	0	1	AN1 (P1.1)	1	0	AN2 (P1.2)	1	1	AN3 (P1.3)
ADDR1	ADDR0		Input pin selection														
0	0	AN0 (P1.0)															
0	1	AN1 (P1.1)															
1	0	AN2 (P1.2)															
1	1	AN3 (P1.3)															
0	ADDR0																

Reset Value = 0000 0000B

Figure 7.3. ADCON register

Power Monitoring and Management

8.1. Introduction

These features can be used to supervise the Power Supply (VDD) and to start up properly the microcontroller when the power is up.

The power monitoring and management consist of the main features listed below and explained hereafter

- Power-On/Off reset
- Power-Fail detector
- Power-Off flag
- Clock Prescaler
- Idle Mode
- Power-Down Mode

All these features are controlled by four 8-bit registers, the Power Management register (POWM), the Power Filter register (PFILT), the Power Control register (PCON) and the Clock Reload register (CKRL).

8.2. Power-On/Off Reset

The Power-On reset ensures a proper starting of the microcontroller.

As long as VDD has not reached the V_{RST+} threshold, the microcontroller is left under reset and the oscillator is not enabled. As soon as VDD has reached V_{RST+} , the oscillator is enabled and starts up.

When the oscillator level on pin XTAL1 has reached the trigger level of the digital monostable, the reset counter is incremented by the oscillator. When the counter rolls off, it stops the reset system.

This system is not sensitive to the VDD rise time, because the oscillator is only enabled when the Power Supply (VDD) is stabilized over a reference level.

It is not either sensitive to the frequency, because the width of the reset pulse: t_{RST} is proportional to the crystal frequency. So this system guarantees a proper starting of the TSC80251A1 by protecting the reset against random conditions of VDD (See Figure 8.1.).

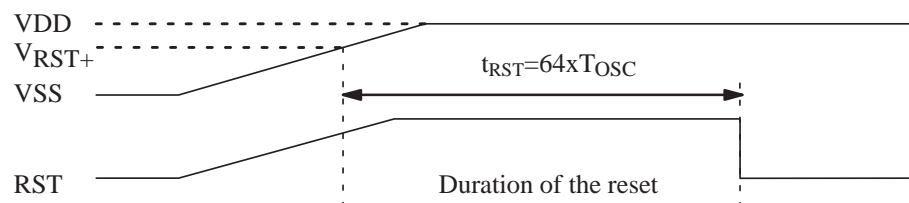


Figure 8.1. Behavior of the reset when the Power Supply is switched on

The Power-Off reset ensures a proper stopping of the TSC80251A1 when VDD fails or the Power Supply is switched off. If VDD reaches the V_{RST+} threshold, the microcontroller is maintained under reset until the Power Supply is completely off or VDD has reached again the V_{RST+} threshold.

This system avoids the TSC80251A1 running while the Power Supply is below the VDD specification.

It also guarantees a correct behavior of the microcontroller for the external components (See Figure 8.2.).

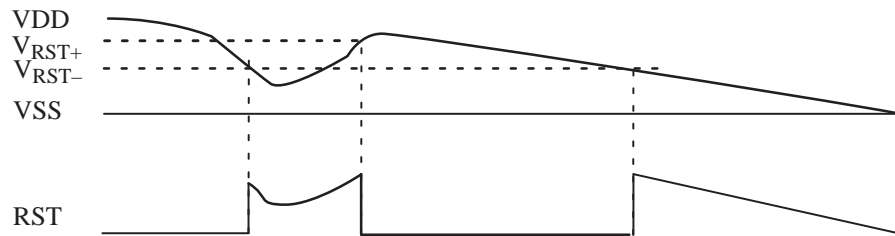


Figure 8.2. Behavior of the reset when the Power Supply is switched off

8.3. Power-Fail Detector

This mechanism is useful for applications which need to save system variables in a non-volatile memory. This feature monitors VDD and warns the TSC80251A1 by generating an early warning Power-Fail interrupt when VDD has dropped below the threshold level V_{FAIL-} . In that case Power-Fail Interrupt Enable bit (PFIE) in IE1 register has to be set and Power-Fail Disable bit (PFD) has to be cleared. Power-Fail Interrupt Enable bit (PFIE) should have the highest priority (see IS in paragraph 9).

If VDD drops below V_{FAIL-} and then recovers and reaches V_{FAIL+} a new interrupt is generated and Power-Fail flag (PFF) is set in POWM register. The sequence waveform is shown in Figure 8.3.

To improve the noise immunity on VDD, glitches are filtered through a digital filter to allow only a persistent condition to trigger the internal reset. The filter consists of an 8-bit programmable counter incremented by the system clock as shown in Figure 8.4. The filtering window is programmable from 0 to $255 \times 2T_{OSC}$ and is equal to $8 \times 2T_{OSC}$ by default (after reset).

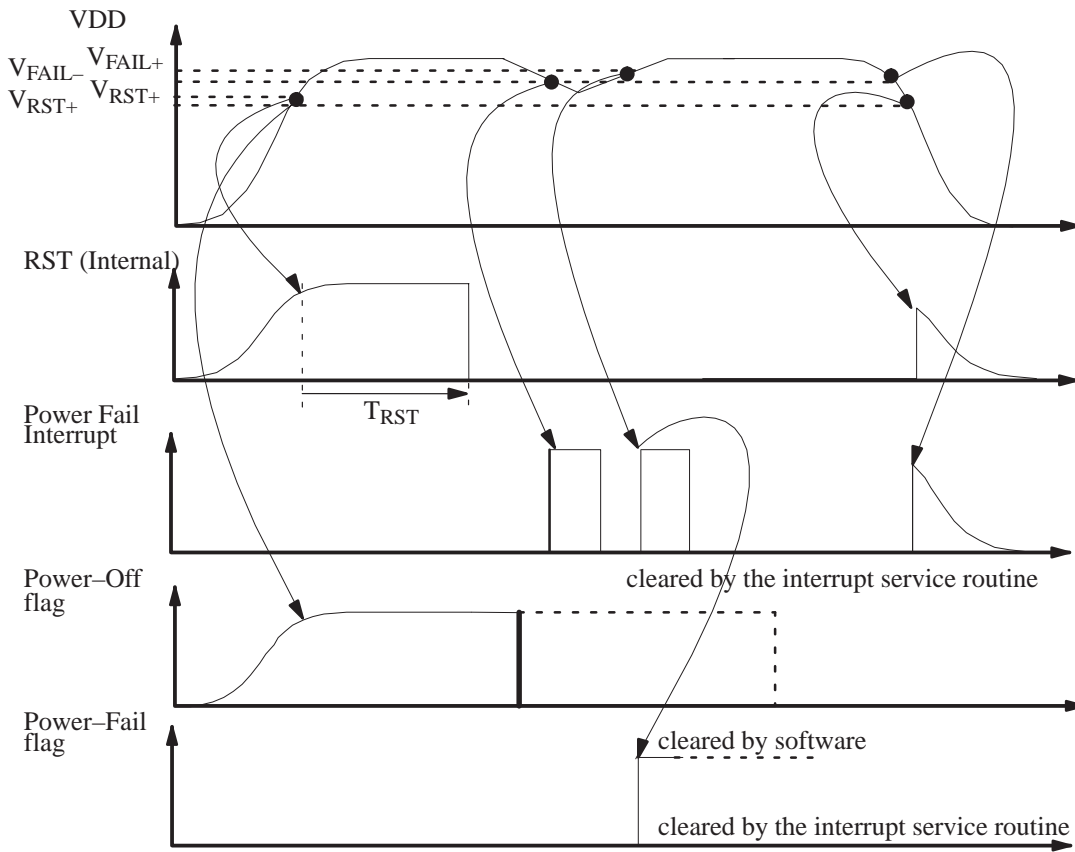


Figure 8.3. Power Management timings

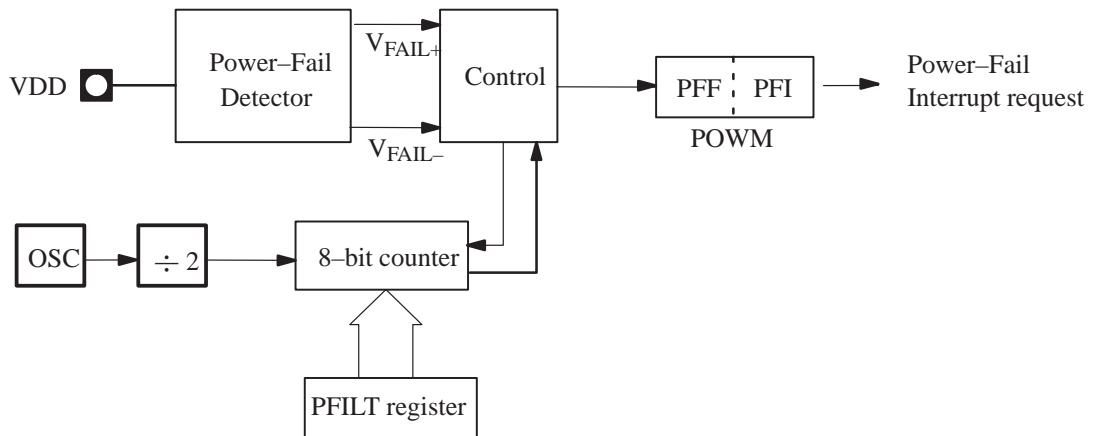


Figure 8.4. Block diagram of the digital filter

Figure 8.5. shows the principle of in the VDD filtering. A signal is considered as a glitch when its width is smaller than the time set-up in the 8-bit PFILT register. In this example filtering period is equal to 6 system clock periods and the A signal is considered as a glitch because its width is less

than 6 system clock periods. The B signal is not considered as a glitch and asserts the Power-Fail interrupt request.

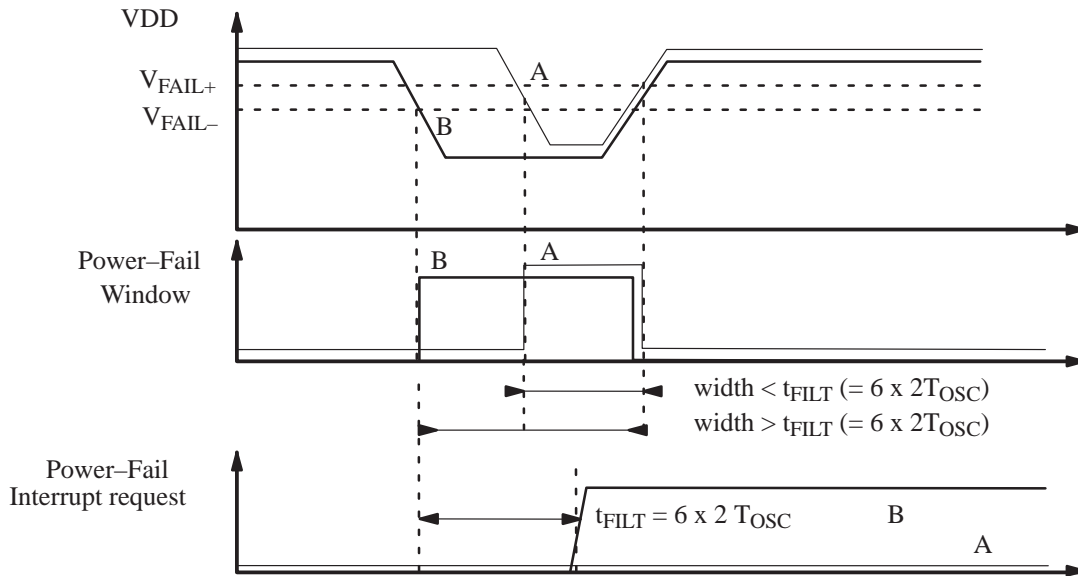


Figure 8.5. Waveforms of the VDD filtering

8.4. Power-Off Flag

The POF bit in PCON register is set to 1 when a hardware reset has been applied during the power is up. This reset is called "Cold reset". If a hardware reset is applied during the microcontroller is running, POF bit is not set. This reset is called "Warm reset". This flag allows to distinguish a cold from a warm reset and initialization. POF bit is useful in Power-Down mode when it is completed by a hardware reset. When used, this bit must be cleared by software after "Cold reset".

8.5. Clock Prescaler

In order to optimize the consumption and the execution time needed for a specific task, an internal clock prescaler feature has been implemented to program the system clock frequency. It is possible to work at full speed for all tasks requiring quick response time at low frequency for background tasks which do not need CPU power but consumption optimizing. Figure 8.6. shows the diagram of the on-chip oscillator where the clock programming block clearly appears. The CPU clock can be programmed via 8-bit CKRL register and by setting to one CKSRC bit in POWM register:

$$F_{OSC} = \frac{F_{XTAL}}{2(CXRL + 1)}$$

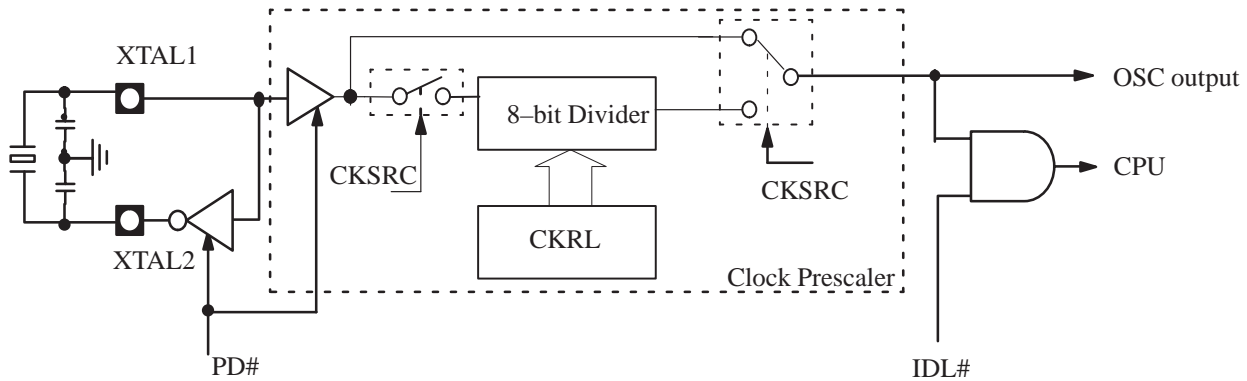


Figure 8.6. Block diagram of the on-chip oscillator

The on-chip oscillator is used to be symbolized by Figure 8.7. in all this datasheet.

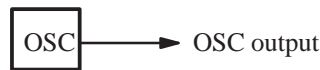


Figure 8.7. Symbolic of the on-chip oscillator

8.6. Idle Mode

Idle mode is a power reduction mode that reduces the power consumption to about 40% of the typical running power consumption. In this mode, program execution halts. Idle mode freezes the clock to the CPU at known states while the peripherals continue to be clocked (See Figure 8.6.). The CPU status before entering Idle mode is preserved, i.e., the program counter, program status word register, and register file retain their data for the duration of Idle mode. The contents of the SFRs and RAM are also retained. The status of the Port pins depends upon the location of the program memory:

- Internal program memory: the ALE and PSEN# pins are pulled high and the Ports 0, 1, 2 and 3 pins are reading data (See Table 8.1.).
- External program memory: the ALE and PSEN# pins are pulled high; the Port 0 pins are floating and the pins of Ports 1, 2 and 3 are reading data (See Table 8.1.).

8.6.1. Entering Idle Mode

To enter Idle mode, set IDL bit in PCON register. The TSC80251A1 enters Idle mode upon execution of the instruction that sets IDL bit. The instruction that sets IDL bit is the last instruction executed.

Caution:

If IDL bit and PD bit are set simultaneously, the TSC80251A1 enters Power-Down mode.

8.6.2. Exiting Idle Mode

There are two ways to exit Idle mode:

- Generate an enabled interrupt. Hardware clears IDL bit in the PCON register which restores the clock to the CPU. Execution resumes with the interrupt service routine. Upon completion of the

interrupt service routine, program execution resumes with the instruction immediately following the instruction that activated Idle mode. The general purpose flags (GF1 and GF0 in PCON register) may be used to indicate whether an interrupt occurred during normal operation or during Idle mode. When Idle mode is exited by an interrupt, the interrupt service routine may examine GF1 and GF0.

- Reset the chip. A logic high on the RST pin clears IDL bit in PCON register directly and asynchronously. This restores the clock to the CPU. Program execution momentarily resumes with the instruction immediately following the instruction that activated the Idle mode and may continue for a number of clock cycles before the internal reset algorithm takes control. Reset initializes the TSC80251A1 and vectors the CPU to address FF:0000h.

Note:

During the time that execution resumes, the internal RAM cannot be accessed; however, it is possible for the Port pins to be accessed. To avoid unexpected outputs at the Port pins, the instruction immediately following the instruction that activated Idle mode should not write to a Port pin or to the external RAM.

Table 8.1. Pin conditions in various modes

Mode	Program Memory	ALE pin	PSEN# pin	Port 0 pin	Port 1 pin	Port 2 pin	Port 3 pin
Reset	Don't care	Weak High	Weak High	Floating	Weak High	Weak High	Weak High
Idle	Internal	1	1	Data	Data	Data	Data
Idle	External	1	1	Floating	Data	Data	Data
Power-Down	Internal	0	0	Data	Data	Data	Data
Power-Down	External	0	0	Floating	Data	Data	Data

8.7. Power-Down Mode

The Power-Down mode places the TSC80251A1 in a very low power state. Power-Down mode stops the oscillator and freezes all clock at known states (See Figure 8.6.). The CPU status prior to entering Power-Down mode is preserved, i.e., the program counter, program status word register, and register file retain their data for the duration of Power-Down mode. In addition, the SFRs and RAM contents are preserved. The status of the Port pins depends on the location of the program memory:

- Internal program memory: the ALE and PSEN# pins are pulled low and the Ports 0, 1, 2 and 3 pins are reading data (See Table 8.1.).
- External program memory: the ALE and PSEN# pins are pulled low; the Port 0 pins are floating and the pins of Ports 1, 2 and 3 are reading data (See Table 8.1.).

Note:

VDD may be reduced to as low as 2 V during Power-Down to further reduce power dissipation. Take care, however, that VDD is not reduced until Power-Down is invoked.

8.7.1. Entering Power–Down Mode

To enter Power–Down mode, set PD bit in PCON register. The TSC80251A1 enters the Power–Down mode upon execution of the instruction that sets PD bit. The instruction that sets PD bit is the last instruction executed.

8.7.2. Exiting Power–Down Mode

Caution:

If VDD was reduced during the Power–Down mode, do not exit Power–Down until VDD is restored to the normal operating level.

There are two ways to exit the Power–Down mode:

- Generate an enabled external interrupt. Hardware clears PD bit in PCON register which starts the oscillator and restores the clocks to the CPU and peripherals. Execution resumes with the interrupt service routine. Upon completion of the interrupt service routine, program execution resumes with the instruction immediately following the instruction that activated Power–Down mode.

Note:

To enable an external interrupt, set EX0 and/or EX1 bit(s) in IE register. The external interrupt used to exit Power–Down mode must be configured as level sensitive and must be assigned the highest priority. In addition, the duration of the interrupt must be of sufficient length to allow the oscillator to stabilize.

- Generate a reset. A logic high on the RST pin clears PD bit in PCON register directly and asynchronously. This starts the oscillator and restores the clock to the CPU and peripherals. Program execution momentarily resumes with the instruction immediately following the instruction that activated Power–Down and may continue for a number of clock cycles before the internal reset algorithm takes control. Reset initializes the TSC80251A1 and vectors the CPU to address FF:0000h.

Note:

During the time that execution resumes, the internal RAM cannot be accessed; however, it is possible for the Port pins to be accessed. To avoid unexpected outputs at the Port pins, the instruction immediately following the instruction that activated the Power–Down mode should not write to a Port pin or to the external RAM.

8.8. Registers

PCON (87h)

Power Configuration register

SMOD1	SMOD0	RPD	POF	GF1	GF0	PD	IDL
7	6	5	4	3	2	1	0
Bit Number	Bit Mnemonic	Description					
7	SMOD1	Double Baud Rate bit Set to double the Baud Rate when Timer 1 is used and mode 1, 2 or 3 is selected in SCON register.					
6	SMOD0	SCON Select bit When cleared, read/write accesses to SCON.7 are to SM0 bit and read/write accesses to SCON.6 are to SM1 bit. When set, read/write accesses to SCON.7 are to FE bit and read/write accesses to SCON.6 are to OVR bit. See Serial Port Control register (SCON).					
5	RPD	Recover for Idle/Power-Down bit Clear to enable only the enable interrupt sources to exit from Idle or Power-Down mode. Set to permit to recover from Idle or Power-Down modes using external interrupt source. If the interrupt source is not enabled, the program simply continue at the address otherwise it jumps to interrupt service routine.					
4	POF	Power-Off flag Set by hardware as VDD rises above 3 V to indicate that the Power has been off or VDD had fallen below 3 V and that on-chip volatile memory is indeterminated.					
3	GF1	General Purpose flag 1 One use is to indicate whether an interrupt occurred during normal operation or during Idle mode.					
2	GF0	General Purpose flag 0 One use is to indicate whether an interrupt occurred during normal operation or during Idle mode.					
1	PD	Power-Down Mode bit Cleared by hardware when an interrupt or reset occurs. Set to activate the Power-Down mode. If IDL and PD are both set, PD takes precedence.					
0	IDL	Idle Mode bit Cleared by hardware when an interrupt or reset occurs. Set to activate the Idle mode. If IDL and PD are both set, PD takes precedence.					

Reset Value = 0000 0000B

Figure 8.8. PCON register

PFILT (86h)

Power Filter register (8-bit)

7	6	5	4	3	2	1	0

Reset Value = 0000 1000B

Figure 8.9. PFILT register

POWM (8Fh)

Power Management register

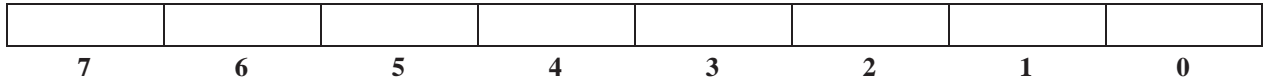
CKSRC	–	–	–	RSTD	PFD	PFF	PFI
7	6	5	4	3	2	1	0

Bit Number	Bit Mnemonic	Description
7	CKSRC	Clock Source bit Cleared by hardware after a Power-Up. In that case the CPU clock is the oscillator source divided by two. Set to enable the programmable clock. In that case the clock is divided by the value contained in CKRL register.
6	–	Reserved The value read from this bit is indeterminate. Do not set this bit.
5	–	Reserved The value read from this bit is indeterminate. Do not set this bit.
4	–	Reserved The value read from this bit is indeterminate. Do not set this bit.
3	RSTD	Reset Detector Disable bit Clear to enable the Reset detector. Set to disable the Reset detector.
2	PFD	Power-Fail Disable bit Clear to enable the Power-Fail detector. Set to disable the Power-Fail detector.
1	PFF	Power-Fail Flag bit Cleared by hardware after a reset or when VDD falls from V _{FAIL+} to V _{FAIL-} . Set by hardware when VDD rises from V _{FAIL-} to V _{FAIL+} . This bit may be cleared by software.
0	PFI	Power-Fail Interrupt flag bit Must be cleared by software. Set by hardware when VDD falls from V _{FAIL+} to V _{FAIL-} , or when VDD rises from V _{FAIL-} to V _{FAIL+} .

Reset Value = 0000 0000B

Figure 8.10. POWM register

CKRL (8Eh)
Clock Reload register (8-bit)



Reset Value = 0000 1000B

Figure 8.11. CKRL register

Interrupt System

9.1. Introduction

The TSC80251A1, like other control-oriented computer architectures, employs a program interrupt method. This operation branches to a subroutine and performs some service in response to the interrupt. When the subroutine completes, execution resumes at the point where the interrupt occurred. Interrupts may occur as a result of internal TSC80251A1 activity (e.g., Timer overflow) or at the initiation of electrical signals external to the microcontroller (e.g., Serial Port communication). In all cases, interrupt operation is programmed by the system designer, who determines priority of interrupt service relative to normal code execution and other interrupt service routines. Thirteen of the fourteen interrupts are enabled or disabled by the system designer and may be manipulated dynamically.

A typical interrupt event chain occurs as follows:

- An internal or external device initiates an interrupt-request signal.
- This signal, connected to an input pin and periodically sampled by the TSC80251A1, latches the event into a flag buffer.
- The priority of the flag is compared to the priority of other interrupts by the interrupt handler. A high priority causes the handler to set an interrupt flag.
- This signals the instruction execution unit to execute a context switch. This context switch breaks the current flow of instruction sequences. The execution unit completes the current instruction prior to a save of the program counter (PC) and reloads the PC with the start address of a software service routine.
- The software service routine executes assigned tasks and as a final activity performs a RETI (return from interrupt) instruction. This instruction signals completion of the interrupt, resets the interrupt-in-progress priority and reloads the program counter. Program operation then continues from the original point of interruption.

Table 9.1. Interrupt system signals

Mnemonic	Type	Description	Multiplexed with
INT0#	I	External Interrupt 0 This input sets IE0 bit in TCON register. If IT0 bit in TCON register is set, IE0 bit is controlled by a negative edge trigger on INT0#. If IT0 bit in TCON register is cleared, IE0 bit is controlled by a low level trigger on INT0#.	P3.2
INT1#	I	External Interrupt 1 This input sets IE1 bit in TCON register. If IT1 bit in TCON register is set, IE1 bit is controlled by a negative edge trigger on INT1#. If IT1 bit in TCON register is cleared, IE1 bit is controlled by a low level trigger on INT1#.	P3.3

Table 9.2. Interrupt System SFRs

Mnemonic	Description	Address
IE0	Interrupt Enable register Used to enable and disable the eight lowest programmable interrupts. The reset value of this register is zero (interrupts disabled).	S:A8h
IE1	Interrupt Enable register Used to enable and disable the eight highest programmable interrupts. The reset value of this register is zero (interrupts disabled).	S:B1h
IPL0	Interrupt Priority Low register 0 Establishes relative four-level priority for the eight lowest programmable interrupts. Used in conjunction with IPH0.	S:B8h
IPH0	Interrupt Priority High register 0 Establishes relative four-level priority for the eight lowest programmable interrupts. Used in conjunction with IPL0.	S:B7h
IPL1	Interrupt Priority Low register 1 Establishes relative four-level priority for the eight lowest programmable interrupts. Used in conjunction with IPH1.	S:B2h
IPH1	Interrupt Priority High register 1 Establishes relative four-level priority for the eight highest programmable interrupts. Used in conjunction with IPL1.	S:B3h

The TSC80251A1 has one software interrupt: TRAP and thirteen peripheral interrupt sources: two external (INT0# and INT1#), one for Timer 0, one for Timer 1, one for Serial Port, one for Pulse Measurement Unit, five for Event and Waveform Controller, one for Analog to Digital Converter, one for Power-Fail detector.

Note:

NMI interrupt source is not implemented in this derivative.

Six interrupt registers are used to control the interrupt system. Two 8-bit registers are used to enable separately the interrupt sources: IE0 and IE1 (See Figure 9.1 and Figure 9.2).

Four 8-bit registers are used to establish the priority level of the sixteen sources: IPL0, IPH0, IPL1 and IPH1 (See Figure 9.3, Figure 9.4, Figure 9.5 and Figure 9.6).

9.2. Interrupt System Priorities

Each of the thirteen interrupt sources on the TSC80251A1 may be individually programmed to one of four priority levels. This is accomplished by one bit in the Interrupt Priority High registers (IPH0 or IPH1, see Figure 9.4. and Figure 9.5.) and one in the Interrupt Priority Low registers (IPL0 or IPL1, see Figure 9.6. and Figure 9.7.) This provides each interrupt source four possible priority levels select bits (See Table 9.3.).

Table 9.3. Level of Priority

IPHxx	IPLxx	Priority Level
0	0	0 Lowest
0	1	1
1	0	2
1	1	3 Highest

A low-priority interrupt is always interrupted by a higher priority interrupt but not by another interrupt of lower priority. Higher priority interrupts are serviced before lower priority interrupts. The response to simultaneous occurrence of equal priority interrupts (i.e., sampled within the same four state interrupt cycle) is determined by a hardware priority-within-level resolver (See Table 9.4.).

Table 9.4. Interrupt priority within level

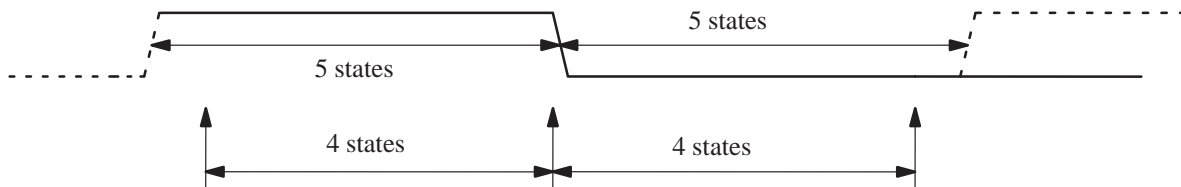
Interrupt Name	Priority Number	Interrupt Address Vectors	Interrupt request flag cleared by hardware (H) or by software (S)
TRAP	1 Highest Priority not interruptible	FF:007Bh	–
Reserved	–	FF:003Bh	–
INT0#	3	FF:0003h	H if edge, S if level
Timer 0	4	FF:000Bh	H if edge, S if level
INT1#	5	FF:0013h	H if edge, S if level
Timer 1	6	FF:001Bh	H
Serial Port	7	FF:0023h	S
A/D converter	8	FF:002Bh	S
EWC0	9	FF:0033h	S
PMU	10	FF:0043h	S
EWC1	11	FF:004Bh	S
EWC2	12	FF:0053h	S
EWC3	13	FF:005Bh	S
EWC4	14	FF:0063h	S
Reserved	15	FF:006Bh	–
Reserved	16	FF:0073h	–
Power-Fail	17 Lowest Priority	FF:0083h	S

9.3. External Interrupts

External interrupts INT0# and INT1# (INTn#, n = 0, 1) pins may each be programmed to be level-triggered or edge-triggered, dependent upon bits IT0 and IT1 (ITn, n = 0, 1) in TCON register. If ITn = 0, INTn# is triggered by a low level at the pin. If ITn = 1, INTn# is negative-edge triggered. External interrupts are enabled with bits EX0 and EX1 (EXn, n = 0, 1) in IE0 register. Events on INTn# set the interrupt request flag IEn in TCON. A request bit **is cleared by hardware vectors to service routines only if the interrupt is edge triggered**. If the interrupt is level-triggered, the interrupt service routine must clear the request bit. External hardware must deassert INTn# before the service routine completes, or an additional interrupt is requested. External interrupt pins must be deasserted for at least four state times prior to a request.

External interrupt pins are sampled once every four state times (a frame length of 500 ns at 16 MHz). A level-triggered interrupt pin held low or high for five-state time period guarantees detection. Edge-triggered external interrupts must hold the request pin low for at least five state times. This ensures edge recognition and sets interrupt request bit EXn. The CPU clears EXn automatically during service routine fetch cycles for edge-triggered interrupts.

Level-Triggered interrupt



Edge-Triggered Interrupt

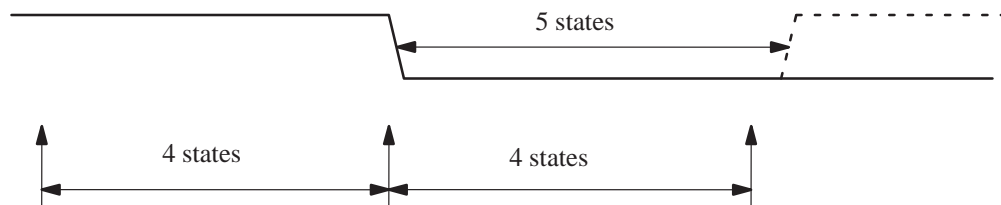


Figure 9.1. Minimum pulse timings.

9.4. Registers

IE0 (0A8h)

Interrupt Enable 0 register

EA	EC	EADC	ES	ET1	EX1	ET0	EX0
7	6	5	4	3	2	1	0
Bit Number	Bit Mnemonic	Description					
7	EA	Global Interrupt Enable bit Clear to disable all interrupts that are individually disabled by bits 6:0 in IE0 register and bits 6:0 in IE1 register. Set to enable all interrupts that are individually enabled by bits 6:0 in IE0 register and bits 6:0 in IE1 register.					
6	EC	Enable Counter Interrupt bit Clear to disable EWC interrupt. Set to enable EWC interrupt.					
5	EADC	Enable Analog to Digital Converter Interrupt bit Clear to disable ADC interrupt. Set to enable ADC interrupt.					
4	ES	Enable Serial Port Interrupt bit Clear to disable Serial Port interrupt. Set to enable Serial Port interrupt.					
3	ET1	Enable Timer 1 Interrupt bit Clear to disable Timer 1 overflow interrupt. Set to enable Timer 1 overflow interrupt.					
2	EX1	Enable External 1 Interrupt bit Clear to disable external interrupt 1. Set to enable external interrupt 1.					
1	ET0	Enable Timer 0 Interrupt bit Clear to disable Timer 0 overflow interrupt. Set to enable Timer 0 overflow interrupt.					
0	EX0	Enable External 0 Interrupt bit Clear to disable External interrupt 0. Set to enable External interrupt 0.					

Reset Value = 0000 0000B

Figure 9.2. IE0 register

IE1 (0B1h)

Interrupt Enable 1 register

PFIE	–	–	EC4	EC3	EC2	EC1	PMU
7	6	5	4	3	2	1	0
Bit Number	Bit Mnemonic	Description					
7	PFIE	Power-Fail Interrupt Enable bit Clear to disable the Power-Fail interrupt. Set to enable the Power-Fail interrupt.					
6	–	Reserved The value read from this bit is indeterminate. Do not set this bit.					
5	–	Reserved The value read from this bit is indeterminate. Do not set this bit.					
4	EC4	Enable Counter 4 Interrupt bit Clear to disable the EWCn Counter 4 interrupt. Set to enable the EWCn Counter 4 interrupt.					
3	EC3	Enable Counter 3 Interrupt bit Clear to disable the EWCn Counter 3 interrupt. Set to enable the EWCn Counter 3 interrupt.					
2	EC2	Enable Counter 2 Interrupt bit Clear to disable the EWCn Counter 2 interrupt. Set to enable the EWCn Counter 2 interrupt.					
1	EC1	Enable Counter 1 Interrupt bit Clear to disable the EWCn Counter 1 interrupt. Set to enable the EWCn Counter 1 interrupt.					
0	EPMU	Enable Pulse Measurement Unit Interrupt bit Clear to disable the PMU interrupt. Set to enable the PMU interrupt.					

Reset Value = 0000 0000B

Figure 9.3. IE1 register

IPH0 (0B7h)

Interrupt Priority High 0 register

–	IPHC	IPHADC	IPHS	IPHT1	IPHX1	IPHT0	IPHX0																																			
7	6	5	4	3	2	1	0																																			
Bit Number	Bit Mnemonic	Description																																								
7	–	Reserved The value read from this bit is indeterminate. Do not set this bit																																								
6	IPHC	EWC Counter Interrupt Priority level most significant bit <table border="1" style="width: 100%; border-collapse: collapse;"> <thead> <tr> <th style="text-align: left;">IPHC</th> <th style="text-align: left;">IPLC</th> <th style="text-align: left;">Priority level</th> <th colspan="4"></th> </tr> </thead> <tbody> <tr> <td>0</td> <td>0</td> <td>0</td> <td colspan="4">Lowest priority</td> </tr> <tr> <td>0</td> <td>1</td> <td>1</td> <td colspan="4"></td> </tr> <tr> <td>1</td> <td>0</td> <td>2</td> <td colspan="4"></td> </tr> <tr> <td>1</td> <td>1</td> <td>3</td> <td colspan="4">Highest priority</td> </tr> </tbody> </table>						IPHC	IPLC	Priority level					0	0	0	Lowest priority				0	1	1					1	0	2					1	1	3	Highest priority			
IPHC	IPLC	Priority level																																								
0	0	0	Lowest priority																																							
0	1	1																																								
1	0	2																																								
1	1	3	Highest priority																																							
5	IPHADC	ADC Interrupt Priority level most significant bit <table border="1" style="width: 100%; border-collapse: collapse;"> <thead> <tr> <th style="text-align: left;">IPHADC</th> <th style="text-align: left;">IPLADC</th> <th style="text-align: left;">Priority level</th> <th colspan="4"></th> </tr> </thead> <tbody> <tr> <td>0</td> <td>0</td> <td>0</td> <td colspan="4">Lowest priority</td> </tr> <tr> <td>0</td> <td>1</td> <td>1</td> <td colspan="4"></td> </tr> <tr> <td>1</td> <td>0</td> <td>2</td> <td colspan="4"></td> </tr> <tr> <td>1</td> <td>1</td> <td>3</td> <td colspan="4">Highest priority</td> </tr> </tbody> </table>						IPHADC	IPLADC	Priority level					0	0	0	Lowest priority				0	1	1					1	0	2					1	1	3	Highest priority			
IPHADC	IPLADC	Priority level																																								
0	0	0	Lowest priority																																							
0	1	1																																								
1	0	2																																								
1	1	3	Highest priority																																							
4	IPHS	Serial Port Interrupt Priority level most significant bit <table border="1" style="width: 100%; border-collapse: collapse;"> <thead> <tr> <th style="text-align: left;">IPHS</th> <th style="text-align: left;">IPLS</th> <th style="text-align: left;">Priority level</th> <th colspan="4"></th> </tr> </thead> <tbody> <tr> <td>0</td> <td>0</td> <td>0</td> <td colspan="4">Lowest priority</td> </tr> <tr> <td>0</td> <td>1</td> <td>1</td> <td colspan="4"></td> </tr> <tr> <td>1</td> <td>0</td> <td>2</td> <td colspan="4"></td> </tr> <tr> <td>1</td> <td>1</td> <td>3</td> <td colspan="4">Highest priority</td> </tr> </tbody> </table>						IPHS	IPLS	Priority level					0	0	0	Lowest priority				0	1	1					1	0	2					1	1	3	Highest priority			
IPHS	IPLS	Priority level																																								
0	0	0	Lowest priority																																							
0	1	1																																								
1	0	2																																								
1	1	3	Highest priority																																							
3	IPHT1	Timer 1 Interrupt Priority level most significant bit <table border="1" style="width: 100%; border-collapse: collapse;"> <thead> <tr> <th style="text-align: left;">IPHT1</th> <th style="text-align: left;">IPLT1</th> <th style="text-align: left;">Priority level</th> <th colspan="4"></th> </tr> </thead> <tbody> <tr> <td>0</td> <td>0</td> <td>0</td> <td colspan="4">Lowest priority</td> </tr> <tr> <td>0</td> <td>1</td> <td>1</td> <td colspan="4"></td> </tr> <tr> <td>1</td> <td>0</td> <td>2</td> <td colspan="4"></td> </tr> <tr> <td>1</td> <td>1</td> <td>3</td> <td colspan="4">Highest priority</td> </tr> </tbody> </table>						IPHT1	IPLT1	Priority level					0	0	0	Lowest priority				0	1	1					1	0	2					1	1	3	Highest priority			
IPHT1	IPLT1	Priority level																																								
0	0	0	Lowest priority																																							
0	1	1																																								
1	0	2																																								
1	1	3	Highest priority																																							
2	IPHX1	External Interrupt 1 Priority level most significant bit <table border="1" style="width: 100%; border-collapse: collapse;"> <thead> <tr> <th style="text-align: left;">IPHX1</th> <th style="text-align: left;">IPLX1</th> <th style="text-align: left;">Priority level</th> <th colspan="4"></th> </tr> </thead> <tbody> <tr> <td>0</td> <td>0</td> <td>0</td> <td colspan="4">Lowest priority</td> </tr> <tr> <td>0</td> <td>1</td> <td>1</td> <td colspan="4"></td> </tr> <tr> <td>1</td> <td>0</td> <td>2</td> <td colspan="4"></td> </tr> <tr> <td>1</td> <td>1</td> <td>3</td> <td colspan="4">Highest priority</td> </tr> </tbody> </table>						IPHX1	IPLX1	Priority level					0	0	0	Lowest priority				0	1	1					1	0	2					1	1	3	Highest priority			
IPHX1	IPLX1	Priority level																																								
0	0	0	Lowest priority																																							
0	1	1																																								
1	0	2																																								
1	1	3	Highest priority																																							
1	IPHT0	Timer 0 Interrupt Priority level most significant bit <table border="1" style="width: 100%; border-collapse: collapse;"> <thead> <tr> <th style="text-align: left;">IPHT0</th> <th style="text-align: left;">IPLT0</th> <th style="text-align: left;">Priority level</th> <th colspan="4"></th> </tr> </thead> <tbody> <tr> <td>0</td> <td>0</td> <td>0</td> <td colspan="4">Lowest priority</td> </tr> <tr> <td>0</td> <td>1</td> <td>1</td> <td colspan="4"></td> </tr> <tr> <td>1</td> <td>0</td> <td>2</td> <td colspan="4"></td> </tr> <tr> <td>1</td> <td>1</td> <td>3</td> <td colspan="4">Highest priority</td> </tr> </tbody> </table>						IPHT0	IPLT0	Priority level					0	0	0	Lowest priority				0	1	1					1	0	2					1	1	3	Highest priority			
IPHT0	IPLT0	Priority level																																								
0	0	0	Lowest priority																																							
0	1	1																																								
1	0	2																																								
1	1	3	Highest priority																																							
0	IPHX0	External Interrupt 0 Priority level most significant bit <table border="1" style="width: 100%; border-collapse: collapse;"> <thead> <tr> <th style="text-align: left;">IPHX0</th> <th style="text-align: left;">IPLX0</th> <th style="text-align: left;">Priority level</th> <th colspan="4"></th> </tr> </thead> <tbody> <tr> <td>0</td> <td>0</td> <td>0</td> <td colspan="4">Lowest priority</td> </tr> <tr> <td>0</td> <td>1</td> <td>1</td> <td colspan="4"></td> </tr> <tr> <td>1</td> <td>0</td> <td>2</td> <td colspan="4"></td> </tr> <tr> <td>1</td> <td>1</td> <td>3</td> <td colspan="4">Highest priority</td> </tr> </tbody> </table>						IPHX0	IPLX0	Priority level					0	0	0	Lowest priority				0	1	1					1	0	2					1	1	3	Highest priority			
IPHX0	IPLX0	Priority level																																								
0	0	0	Lowest priority																																							
0	1	1																																								
1	0	2																																								
1	1	3	Highest priority																																							

Reset Value = X000 0000B

Figure 9.4. IPH0 register

IPH1 (0B1h)

Interrupt Priority High 1 register

IPHPF	–	–	IPHC4	IPHC3	IPHC2	IPHC1	IPHPMU															
7	6	5	4	3	2	1	0															
Bit Number	Bit Mnemonic	Description																				
7	IPHPF	Power-Fail Interrupt Priority level most significant bit <table border="1"> <thead> <tr> <th>IPHPF</th> <th>IPLPF</th> <th>Priority level</th> </tr> </thead> <tbody> <tr> <td>0</td> <td>0</td> <td>0</td> </tr> <tr> <td>0</td> <td>1</td> <td>1</td> </tr> <tr> <td>1</td> <td>0</td> <td>2</td> </tr> <tr> <td>1</td> <td>1</td> <td>3</td> </tr> </tbody> </table>						IPHPF	IPLPF	Priority level	0	0	0	0	1	1	1	0	2	1	1	3
IPHPF	IPLPF	Priority level																				
0	0	0																				
0	1	1																				
1	0	2																				
1	1	3																				
6	–	Reserved The value read from this bit is indeterminate. Do not set this bit.																				
5	–	Reserved The value read from this bit is indeterminate. Do not set this bit.																				
4	IPHC4	EWC Counter 4 Interrupt Priority level most significant bit <table border="1"> <thead> <tr> <th>IPHEC4</th> <th>IPLC4</th> <th>Priority level</th> </tr> </thead> <tbody> <tr> <td>0</td> <td>0</td> <td>0</td> </tr> <tr> <td>0</td> <td>1</td> <td>1</td> </tr> <tr> <td>1</td> <td>0</td> <td>2</td> </tr> <tr> <td>1</td> <td>1</td> <td>3</td> </tr> </tbody> </table>						IPHEC4	IPLC4	Priority level	0	0	0	0	1	1	1	0	2	1	1	3
IPHEC4	IPLC4	Priority level																				
0	0	0																				
0	1	1																				
1	0	2																				
1	1	3																				
3	IPHC3	EWC Counter 3 Interrupt Priority level most significant bit <table border="1"> <thead> <tr> <th>IPHEC3</th> <th>IPLC3</th> <th>Priority level</th> </tr> </thead> <tbody> <tr> <td>0</td> <td>0</td> <td>0</td> </tr> <tr> <td>0</td> <td>1</td> <td>1</td> </tr> <tr> <td>1</td> <td>0</td> <td>2</td> </tr> <tr> <td>1</td> <td>1</td> <td>3</td> </tr> </tbody> </table>						IPHEC3	IPLC3	Priority level	0	0	0	0	1	1	1	0	2	1	1	3
IPHEC3	IPLC3	Priority level																				
0	0	0																				
0	1	1																				
1	0	2																				
1	1	3																				
2	IPHC2	EWC Counter 2 Interrupt Priority level most significant bit <table border="1"> <thead> <tr> <th>IPHEC2</th> <th>IPLC2</th> <th>Priority level</th> </tr> </thead> <tbody> <tr> <td>0</td> <td>0</td> <td>0</td> </tr> <tr> <td>0</td> <td>1</td> <td>1</td> </tr> <tr> <td>1</td> <td>0</td> <td>2</td> </tr> <tr> <td>1</td> <td>1</td> <td>3</td> </tr> </tbody> </table>						IPHEC2	IPLC2	Priority level	0	0	0	0	1	1	1	0	2	1	1	3
IPHEC2	IPLC2	Priority level																				
0	0	0																				
0	1	1																				
1	0	2																				
1	1	3																				
1	IPHC1	EWC Counter 1 Interrupt Priority level most significant bit <table border="1"> <thead> <tr> <th>IPHEC1</th> <th>IPLC1</th> <th>Priority level</th> </tr> </thead> <tbody> <tr> <td>0</td> <td>0</td> <td>0</td> </tr> <tr> <td>0</td> <td>1</td> <td>1</td> </tr> <tr> <td>1</td> <td>0</td> <td>2</td> </tr> <tr> <td>1</td> <td>1</td> <td>3</td> </tr> </tbody> </table>						IPHEC1	IPLC1	Priority level	0	0	0	0	1	1	1	0	2	1	1	3
IPHEC1	IPLC1	Priority level																				
0	0	0																				
0	1	1																				
1	0	2																				
1	1	3																				
0	IPHPMU	PMU Interrupt 0 Priority level most significant bit <table border="1"> <thead> <tr> <th>IPHPMU</th> <th>IPLPMU</th> <th>Priority level</th> </tr> </thead> <tbody> <tr> <td>0</td> <td>0</td> <td>0</td> </tr> <tr> <td>0</td> <td>1</td> <td>1</td> </tr> <tr> <td>1</td> <td>0</td> <td>2</td> </tr> <tr> <td>1</td> <td>1</td> <td>3</td> </tr> </tbody> </table>						IPHPMU	IPLPMU	Priority level	0	0	0	0	1	1	1	0	2	1	1	3
IPHPMU	IPLPMU	Priority level																				
0	0	0																				
0	1	1																				
1	0	2																				
1	1	3																				

Reset Value = X000 0000B

Figure 9.5. IPH1 register

IPL0 (0B8h)

Interrupt Priority Low 0 register

–	IPLC	IPLADC	IPLS	IPLT1	IPLX1	IPLT0	IPLX0
7	6	5	4	3	2	1	0
Bit Number	Bit Mnemonic	Description					
7	–	Reserved The value read from this bit is indeterminate. Do not set this bit.					
6	IPLC	EWC Counter Interrupt Priority level most significant bit. Refer to IPHC for priority level.					
5	IPLADC	ADC Interrupt Priority level most significant bit. Refer to IPHADC for priority level.					
4	IPLS	Serial Port Interrupt Priority level most significant bit. Refer to IPHS for priority level.					
3	IPLT1	Timer 1 Interrupt Priority level most significant bit. Refer to IPHT1 for priority level.					
2	IPLX1	External Interrupt 1 Priority level most significant bit. Refer to IPHX1 for priority level.					
1	IPLT0	Timer 0 Interrupt Priority level most significant bit. Refer to IPHT0 for priority level.					
0	IPLX0	External Interrupt 0 Priority level most significant bit. Refer to IPHX0 for priority level.					

Reset Value = X000 0000B

Figure 9.6. IPL0 register

IPL1 (0B2h)

Interrupt Priority Low 1 register

IPLPF	–	–	IPLC4	IPLC3	IPLC2	IPLC1	IPLPMU
7	6	5	4	3	2	1	0

Bit Number	Bit Mnemonic	Description
7	IPLPF	Power-Fail Interrupt Priority level most significant bit. Refer to IPHPF for priority level.
6	–	Reserved The value read from this bit is indeterminate. Do not set this bit.
5	–	Reserved The value read from this bit is indeterminate. Do not set this bit.
4	IPLC4	EWC Counter 4 Interrupt Priority level most significant bit. Refer to IPHEC4 for priority level.
3	IPLC3	EWC Counter 3 Interrupt Priority level most significant bit. Refer to IPHEC3 for priority level.
2	IPLC2	EWC Counter 2 Interrupt Priority level most significant bit. Refer to IPHEC2 for priority level.
1	IPLC1	EWC Counter 1 Interrupt Priority level most significant bit. Refer to IPHEC1 for priority level.
0	IPLPMU	PMU Interrupt Priority level most significant bit. Refer to IPHPMU for priority level.

Reset Value = X000 0000B

Figure 9.7. IPL1 register

Section III

Electrical and Mechanical Information

DC characteristics

Table 1.1. Absolute maximum ratings

● Ambient Temperature Under Bias	
Commercial	0 to +70°C
Industrial	-40 to +85°C
Automotive	0 to +125°C
● Storage Temperature	-65 to +150°C
● Voltage on EA#/VPP Pin to VSS	0 to +13.0 V
● Voltage on any other Pin to VSS	-0.5 to +6.5 V
● I _{OL} per I/O Pin	15 mA
● Power Dissipation	1.5 W

Note:

Stresses at or above those listed under “Absolute Maximum Ratings” may cause permanent damage to the device. This is a stress rating only and functional operation of the device at these or any other conditions above those indicated in the operational sections of this specification is not implied. Exposure to absolute maximum rating conditions may affect device reliability.

Table 1.2. DC characteristics

Parameter values applied to all devices unless otherwise indicated.

Commercial

TA = 0 to 70°C
VSS = 0 V
VDD = 5 V ± 10 %

Industrial

TA = -40 +85°C
VSS = 0 V
VDD = 5 V ± 10 %

Automotive

TA = -40 +125°C
VSS = 0 V
VDD = 5 V ± 10 %

Symbol	Parameter	Min	Typical (4)	Max	Units	Test Conditions
V _{IL}	Input Low Voltage (except EA#)	-0.5		0.2VDD - 0.1	V	
V _{IL1}	Input Low Voltage (EA#)	0		0.2VDD - 0.3	V	
V _{IH}	Input high Voltage (except XTAL1, RST)	0.2VDD + 0.9		VDD + 0.5	V	
V _{IH1}	Input high Voltage (XTAL1)	0.7 VDD		VDD + 0.5	V	
V _{OL}	Output Low Voltage (Ports 1, 2, 3)			0.3 0.45 1.0	V	I _{OL} = 100 μA I _{OL} = 1.6 mA I _{OL} = 3.5 mA (1, 2)
V _{RST+}	Reset threshold on		3.7		V	
V _{RST-}	Reset threshold off		3.3		V	

Symbol	Parameter	Min	Typical (4)	Max	Units	Test Conditions
V _{FAIL+}	VDD–Fail threshold on		4.2		V	
V _{FAIL-}	VDD–Fail threshold off		4.1		V	
V _{OL1}	Output Low Voltage (Ports 0, ALE, PSEN#)			0.3 0.45 1.0	V	I _{OL} = 200 μA I _{OL} = 3.2 mA I _{OL} = 7.0 mA (1, 2)
V _{OH}	Output high Voltage (Ports 1, 2, 3, ALE, PSEN#)	VDD –0.3 VDD –0.7 VDD –1.5			V	I _{OH} = –10 μA I _{OH} = –30 μA I _{OH} = –60 μA (3)
V _{OH1}	Output high Voltage (Port 0 in External Address)	VDD –0.3 VDD –0.7 VDD –1.5			V	I _{OH} = –200 μA I _{OH} = –3.2 mA I _{OH} = –7.0 mA
V _{OH2}	Output high Voltage (Port 2 in External Address during Page Mode)	VDD –0.3 VDD –0.7 VDD –1.5			V	I _{OH} = –200 μA I _{OH} = –3.2 mA I _{OH} = –7.0 mA
I _{IL}	Logical 0 Input Current (Ports 1, 2, 3)			– 50 – 75	μA	V _{IN} = 0.45 V Automotive range
I _{LI}	Input Leakage Current (Port 0)			± 10	μA	0.45 < V _{IN} < VDD
I _{TL}	Logical 1-to-0 Transition Current (Ports 1, 2, 3)			– 650	μA	V _{IN} = 2.0 V
R _{RST}	RST Pull–Down Resistor	40		225	kΩ	
C _{IO}	Pin Capacitance		10		pF	F _{OSC} = 16 MHz T _A = 25°C
I _{PD}	Powerdown Current		20		μA	
I _{DL}	Idle Mode Current		15		mA	F _{OSC} = 16 MHz
			10		mA	F _{OSC} = 12 MHz

Symbol	Parameter	Min	Typical (4)	Max	Units	Test Conditions
I _{DD}	Operating Current		50		mA	F _{OSC} = 16 MHz
			40		mA	F _{OSC} = 12 MHz

Notes:

1. Under steady-state (non-transient) conditions, I_{OL} must be externally limited as follows:

- Maximum I_{OL} per port pin: 10 mA
- Maximum I_{OL} per 8-bit port: Port 0 26 mA
- Ports 1-3 15 mA
- Maximum Total I_{OL} for all: Output Pins . . 71 mA

If I_{OL} exceeds the test conditions, V_{OL} may exceed the related specification. Pins are not guaranteed to sink current greater than the listed test conditions.

2. Capacitive loading on Ports 0 and 2 may cause spurious noise pulses above 0.4 V on the low-level outputs of ALE and Ports 1, 2, and 3. The noise is due to external bus capacitance discharging into the Port 0 and Port 2 pins when these pins change from high to low. In applications where capacitive loading exceeds 100 pF, the noise pulses on these signals may exceed 0.8 V. It may be desirable to qualify ALE or other signals with a Schmitt Trigger or CMOS-level input logic.

3. Capacitive loading on Ports 0 and 2 causes the V_{OH} on ALE and PSEN# to drop below the specification when the address lines are stabilizing.

4. Typical values are obtained using V_{DD} = 5 V and T_A = 25°C with no guarantee. They are not tested and there is not guarantee on these values.

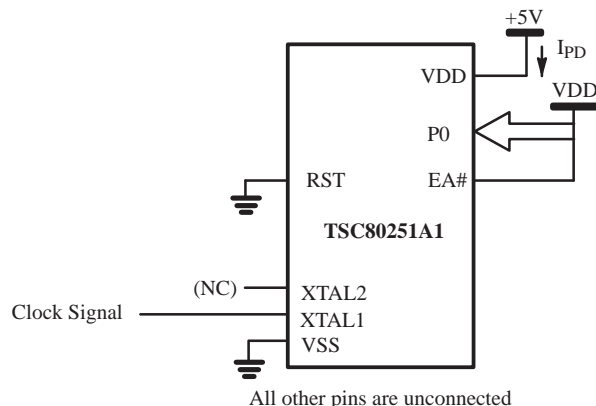


Figure 1.1. I_{PD} Test Condition, Power-Down mode

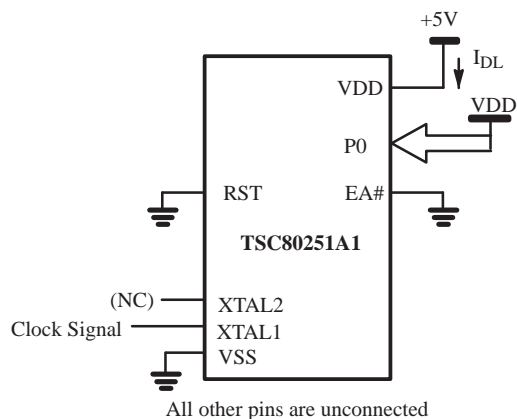


Figure 1.2. I_{DL} Test Condition, Idle mode

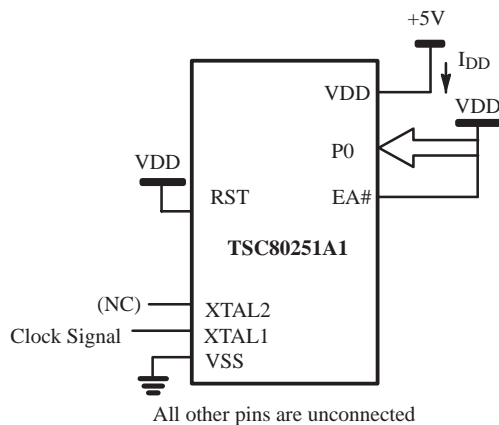


Figure 1.3. I_{DD} Test Condition, Active mode

AC characteristics

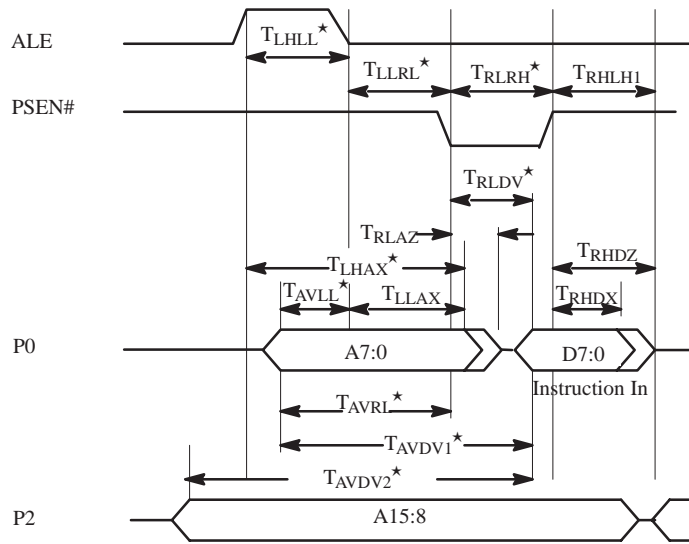
Table 2.1. AC characteristics (Capacitive Loading = 50 pF)

Symbol	Parameter	12 MHz		16 MHz		Fosc		Units
		Min	Max	Min	Max	Min	Max	
T _{Osc}	1/Fosc	83		63				ns
T _{LHLL}	ALE Pulse Width	73		53		T _{Osc} - 10		ns (2)
T _{AVLL}	Address Valid to ALE Low	63		43		T _{Osc} - 20		ns (2)
T _{LLAX}	Address hold after ALE Low	63		43		T _{Osc} - 20		ns
T _{RLRH} (1)	RD# or PSEN# Pulse Width	65		45		T _{Osc} - 18		ns (3)
T _{WLWH}	WR# Pulse Width	65		45		T _{Osc} - 18		ns (3)
T _{LLRL} (1)	ALE Low to RD# or PSEN# Low	73		53		T _{Osc} - 10		ns
T _{RHRL}	ALE High to RD# or PSEN# High	73		53		T _{Osc} - 10		ns
T _{LHAX}	ALE high to Address hold	147		105		2T _{Osc} - 20		ns (2)
T _{RLDV} (1)	RD# or PSEN# Low to Valid Data/Instruction.		33		13	T _{Osc} - 50		ns (3)
T _{RHDX} (1)	Data/Instruct. hold After RD# or PSEN# high	0		0		0		ns
T _{RLAZ} (1)	RD#/PSEN# Low to Address Float		2		2		2	ns
T _{RHDZ} (1)	Data/Instruct. Float After RD# or PSEN# high		63		43		T _{Osc} - 20	ns
T _{RHLH1} (1)	RD#/PSEN# high to ALE high (Instruction)	68		48		T _{Osc} - 15		ns (1)
T _{RHLH2} (1)	RD#/PSEN# high to ALE high (Data)	235		173		3T _{Osc} - 15		ns (1)
T _{WHLH}	WR# high to ALE high	235		173		3T _{Osc} - 15		ns
T _{AVDV1}	Address (P0) Valid to Valid Data/Instruction In		190		128		3T _{Osc} - 60	ns (2, 3, 4)
T _{AVDV2}	Address (P2) Valid to Valid Data/Instruction In		273		190		4T _{Osc} - 60	ns (2, 3, 4,)
T _{AVDV3}	Address (P0) Valid to Valid Instruction In		107		107		2T _{Osc} - 60	ns

Symbol	Parameter	12 MHz		16 MHz		F _{OSC}		Units
		Min	Max	Min	Max	Min	Max	
T _{AVRL}	Address Valid to RD#/PSEN# Low	143		101		2T _{OSC} - 24		ns (2)
T _{AVWL1}	Address (P0) Valid to WR# Low	143		101		2T _{OSC} - 24		ns (2)
T _{AVWL2}	Address (P2) Valid to WR# Low	220		158		3T _{OSC} - 30		ns (2)
T _{WHQX}	Data hold after WR# high	63		43		T _{OSC} - 20		ns
T _{QVWH}	Data Valid to WR# high	58		38		T _{OSC} - 25		ns (3)
T _{WHAX}	WR# high to Address hold	147		105		2T _{OSC} - 20		ns
T _{XLXL}	Serial Port Clock Cycle Time	1000		750		12 T _{OSC}		ns
T _{QVSH}	Output Data Setup to Clock Rising Edge	870		620		12 T _{OSC} - 133		ns
T _{XHQX}	Output Data hold after Clock Rising Edge	720		510		10 T _{OSC} - 117		ns
T _{XHDX}	Input Data Hold after Clock Rising Edge	0		0		0		ns
T _{XHDV}	Clock Rising Edge to Input Data Valid		700		500		10 T _{OSC} - 133	ns

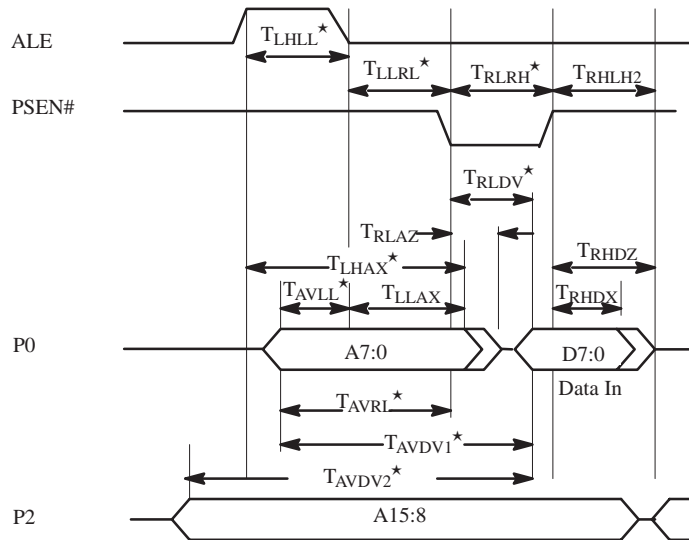
Notes :

1. Specifications for PSEN# are identical to those for RD#.
2. If a wait state is added by extending ALE, add 2T_{OSC}.
3. If a wait state is added by extending RD#/PSEN#/WR#, add 2T_{OSC}.
4. If wait states are added as described in both Note 2 and Note 3, add a total of 4T_{OSC}.



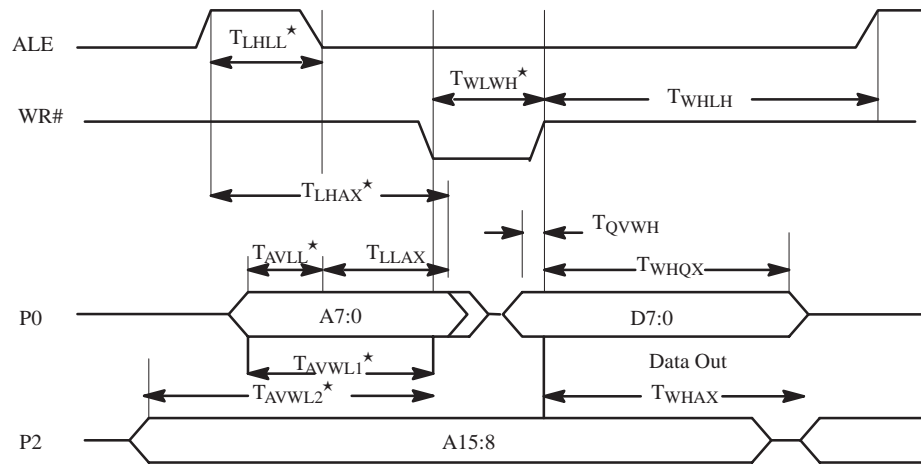
★ The value of this parameter depends on wait states. See the table of AC characteristics.

Figure 2.1. External Instruction Bus Cycle in non-page mode



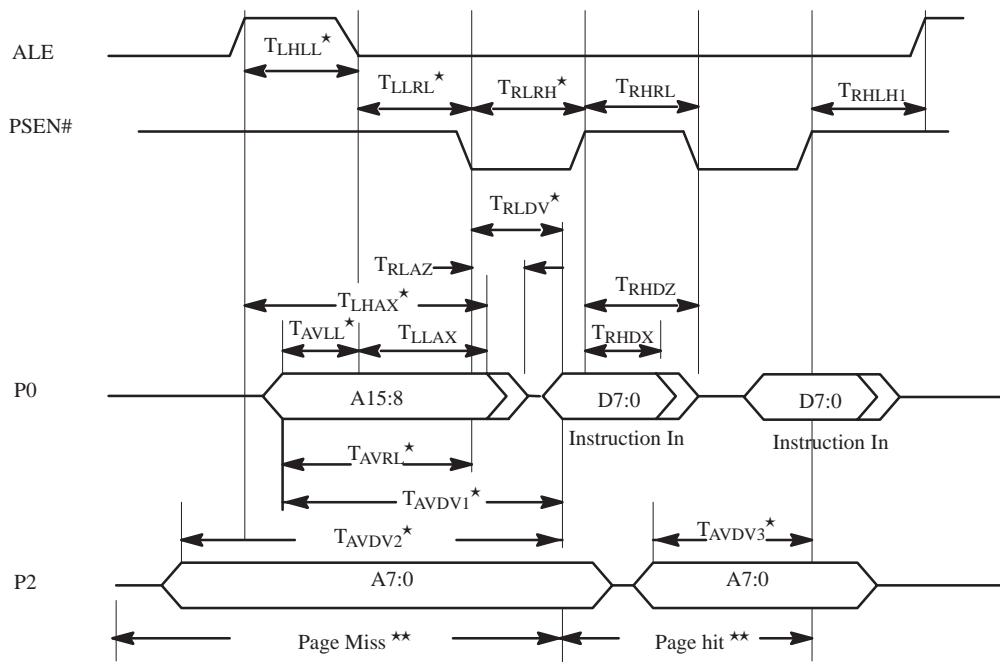
★ The value of this parameter depends on wait states. See the table of AC characteristics.

Figure 2.2. External Data Read Cycle in non-page mode



★ The value of this parameter depends on wait states. See the table of AC characteristics.

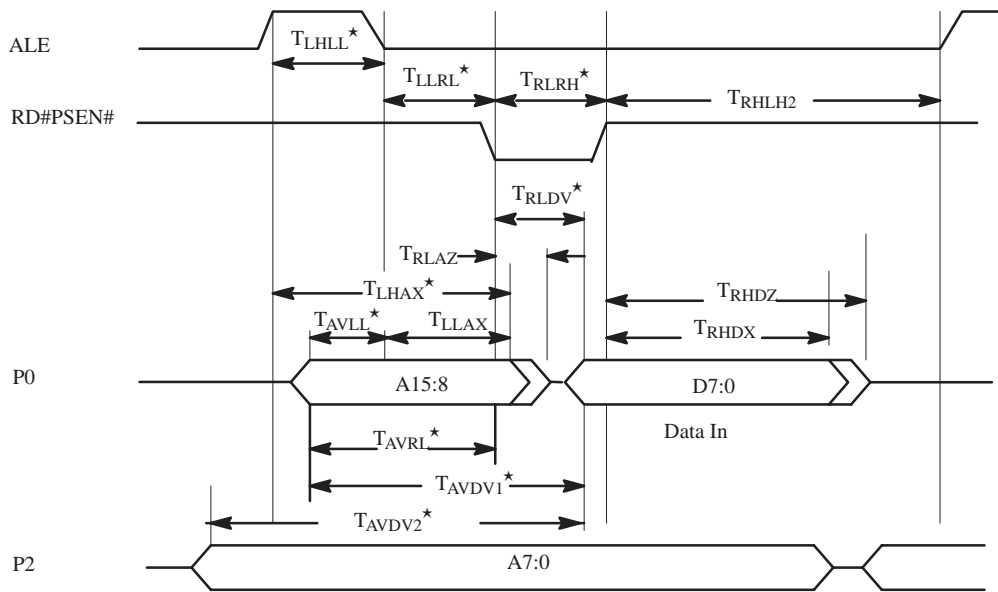
Figure 2.3. External Write Data Bus Cycle in non-page mode



★ The value of this parameter depends on wait states. See the table of AC characteristics.

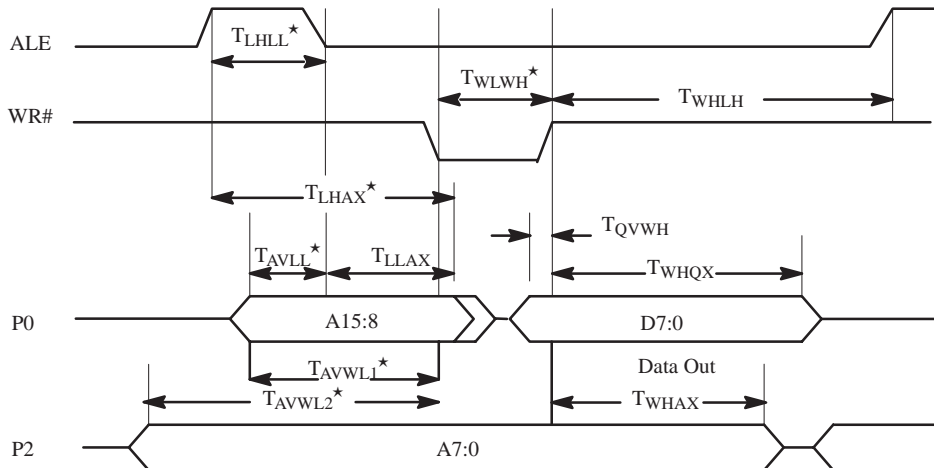
★★ A page hit (i.e., a code fetch to the same 256-byte “page” as the previous code fetch) requires one state ($2T_{OSC}$); a page miss requires two states ($4T_{OSC}$).

Figure 2.4. External Instruction Bus Cycle in page mode



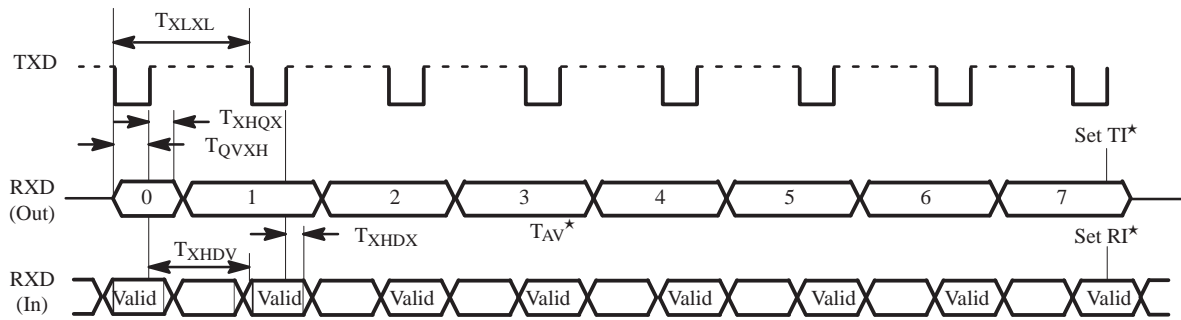
★ The value of this parameter depends on wait states. See the table of AC characteristics.

Figure 2.5. External Read Data Bus Cycle in page mode



★ The value of this parameter depends on wait states. See the table of AC characteristics.

Figure 2.6. External Write Data Bus Cycle in page mode



* TI and RI are set during S1P1 of the peripheral cycle following the shift of the eight bit.

Figure 2.7. Serial Port Waveform – Shift Register mode

Notation for timing parameters name

A = Address	D = Data	E = Enable	G = PROG#	H = high	L = Low
Q = Data out	S = Supply (VPP)	V = Valid	X = No Longer Valid	Z = Floating	

ADC characteristics

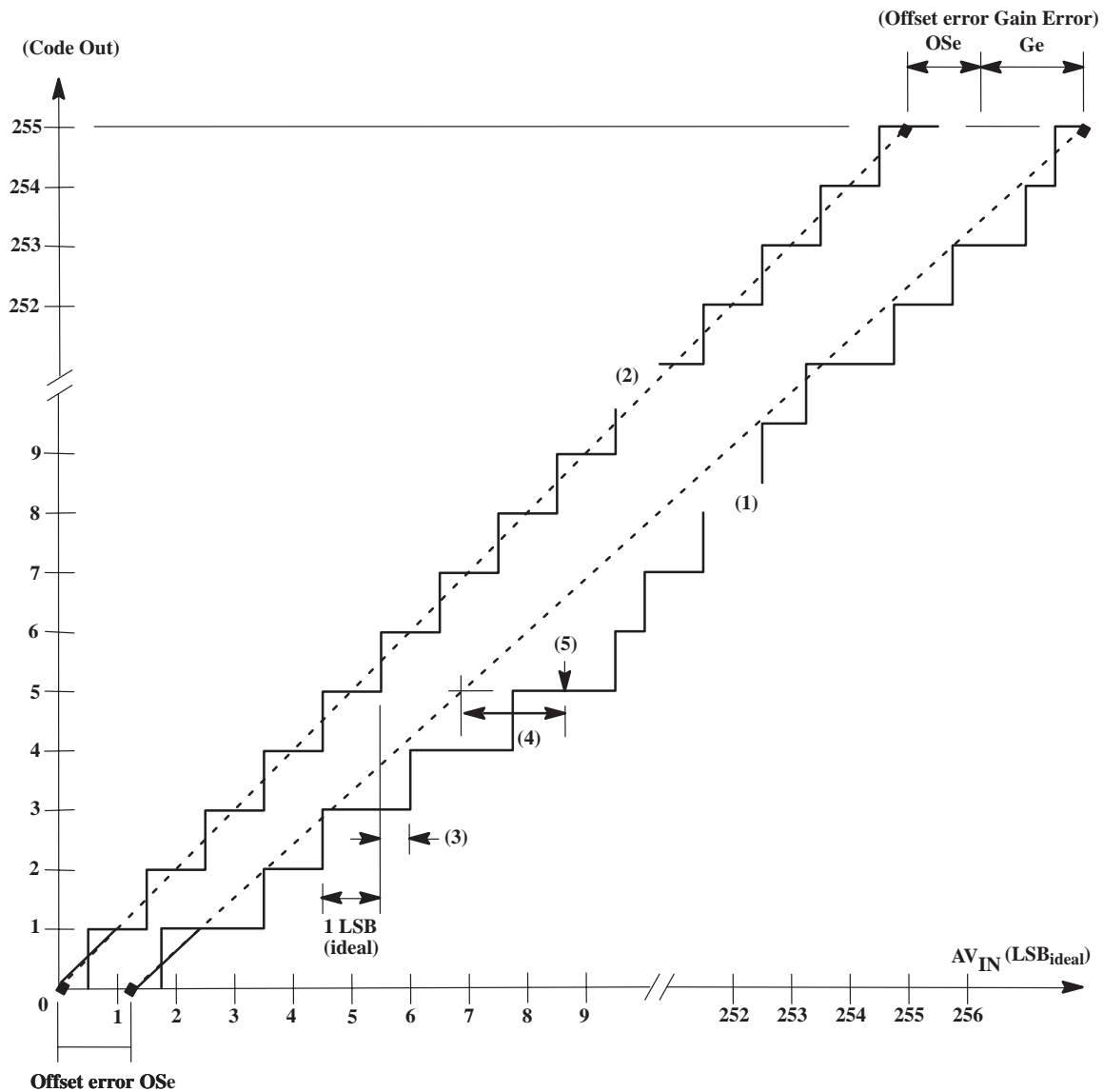
Table 3.1. A/D Converter electrical characteristics

Commercial	Industrial	Automotive
TA = 0 to 70°C	TA = -40 to +85°C ;	TA = -40 to +125°C
VSS = 0 V	VSS = 0 V	VSS = 0 V
VDD = 5 V ± 10 %	VDD = 5 V ± 10 %	VDD = 5 V ± 10 %
FOSC = 1 to 16 MHz	FOSC = 1 to 16 MHz	FOSC = 1 to 12 MHz

Symbol	Parameter	Test Conditions	Min	Max	Unit
AVDD	Analog supply voltage	AVDD = VDD±0.2V	4.50	5.50	V
AI _{DD}	Analog supply current: operating	Port 1 = 0 to AVDD		1.20	mA
AV _{IN}	Analog input voltage		AVSS-0.2	AVDD+0.2	V
V _{ref}	Reference voltage		AVSS-0.2	AVDD+0.2	V
R _{ref}	Resistance between V _{ref} and AVSS		1	10	kΩ
C _{IA}	Analog input capacitance			15	pF
t _{ADS}	Sampling time	108 T _{OSC}		6.757 at 16 MHz 9 at 12 MHz 108 at 1 MHz	μs
t _{ADC}	Conversion time (including sampling time)	600 T _{OSC}		37.5 at 16 MHz 50 at 12 MHz 600 at 1 MHz	μs
DLe	Differential non-linearity ^{1,2}			±1	LSB
ILe	Integral non-linearity ^{1,3}			±1	LSB
OSe	Offset error ^{1,4}			±1	LSB
Ge	Gain error ^{1,5}			0,40	%
M _{CTC}	Channel to channel matching			±1	LSB
C _t	Crosstalk between inputs of Port 1 ⁶	0 to 100 kHz		-60	dB
T _{OSC}	Oscillator Clock Period		Com, Ind = 62 Auto = 83	1000	ns

Notes:

1. Conditions : AVDD = 5.V; V_{REF} = 5.12V. ADC is monotonic with no missing codes.
2. The differential non-linearity (DLe) is the difference between the actual step width and the ideal step width. (See Figure 3.1.)
3. The integral non-linearity (ILe) is the peak difference between the center of the steps of the actual and the ideal transfer curve after appropriate adjustment of gain and offset error. (See Figure 3.1.)
4. The offset error (OSe) is the absolute difference between the straight line which fits the actual transfer curve (after removing gain error), and a straight line which fits the ideal transfer curve. (See Figure 3.1.)
5. The gain error (Ge) is the relative difference in percent between the straight line fitting the actual transfer curve (after removing offset error), and the straight line which fits the ideal transfer curve. Gain error is constant at every point on the transfer curve. (See Figure 3.1.)
6. This should be considered when both analog and digital signals are simultaneously input to Port 1.



- (1) Example of an actual transfer curve
- (2) The ideal transfer curve
- (3) Differential non-linearity (DLe)
- (4) Integral non-linearity (ILe)
- (5) Center of a step of the actual transfer curve

Figure 3.1. A/D conversion characteristic

EPROM Programming

4.1. Programming modes

The TSC87251A1 derivatives in Window CQPJ are erasable by UV which set all the EPROM memory cells to one and allows a reprogramming. The other TSC87251A1 derivatives are one time programmable as an EPROM cell cannot be reset once programmed to 0. Table 4.1. shows the hardware setup needed to program the TSC87251A1 EPROM areas:

- The chip has to be maintained under reset and the PSEN# has to be forced to 0 until the completion of the programming sequence.
- The programming address are applied on Ports 1 and 3 which are respectively the upper and lower address lines.
- The programming data are applied on Port 2.
- The EPROM programming is done by applying VPP on the EA# pin and by generating 5 pulses on ALE/PROG# pin for the on-chip code memory and 25 for the configuration bytes.

Table 4.1. EPROM programming configuration

EPROM Mode	RST	EA#	PSEN#	ALE	P0	P2	P1(Upper)P3(Lower)	Notes
On-chip code memory	1	VPP	0	5 Pulses	68h	Data	0000h-5FFFh	1
Configuration bytes	1	VPP	0	25 Pulses	69h	Data	0080h-0081h	1

Notes:

1. The ALE/PROG# pulse waveform is shown in Figure 4.2.

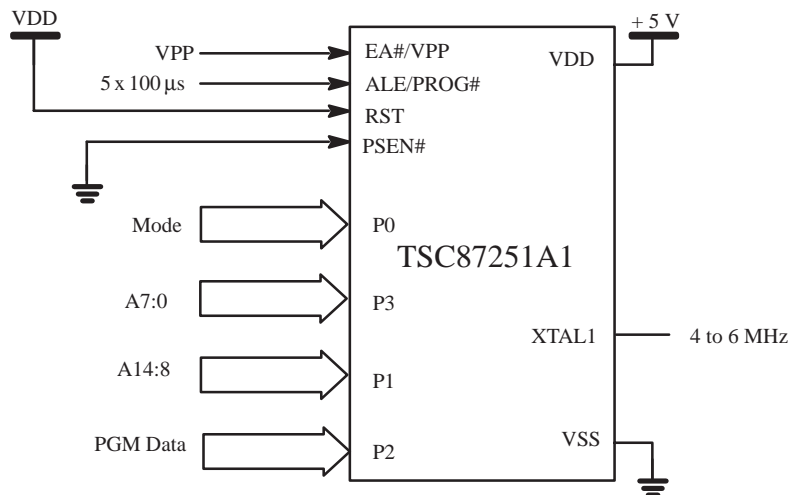
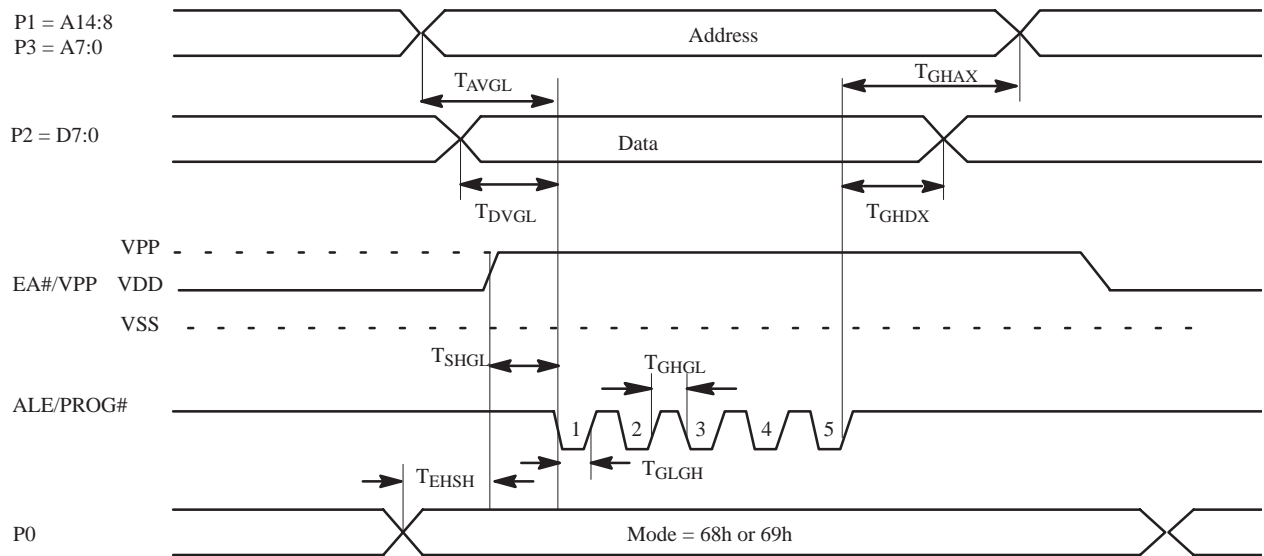


Figure 4.1. Setup for EPROM programming



Note:

The timing is the same for both programming modes excepted the number of programming pulses. Only 5 programming pulses are shown here.

Figure 4.2. Timings for EPROM programming

4.2. Verify algorithm

Figure 4.3. show the setup needed to verify the TSC80251A1 EPROM areas. Table 4.2. shows the configuration needed to verify the on-chip code memory and Configuration bytes. The 15 addresses must be connected to the Ports 3 and 1. ALE/PROG# and PSEN# are driven low while Port 0 receives the configuration.

Figure 4.4. shows the timings to apply in order to execute the EPROM verify mode.

- Port 0 drives the verify mode (28h for programming mode).
- The address to access is driven on Port 1 and Port 3 while the PSEN# and ALE are driven low. The data is driven on Port 2, 48 clock periods after the address is stable.

Table 4.2. EPROM verifying configuration

Verify EPROM	RST	EA#	PSEN#	ALE	P0	P2	P1(Upper) P3(Lower)
On-chip code memory	1	1	0	1	28h	Data	0000h-5FFFh
Configuration bytes	1	1	0	1	29h	Data	0080h-0083h

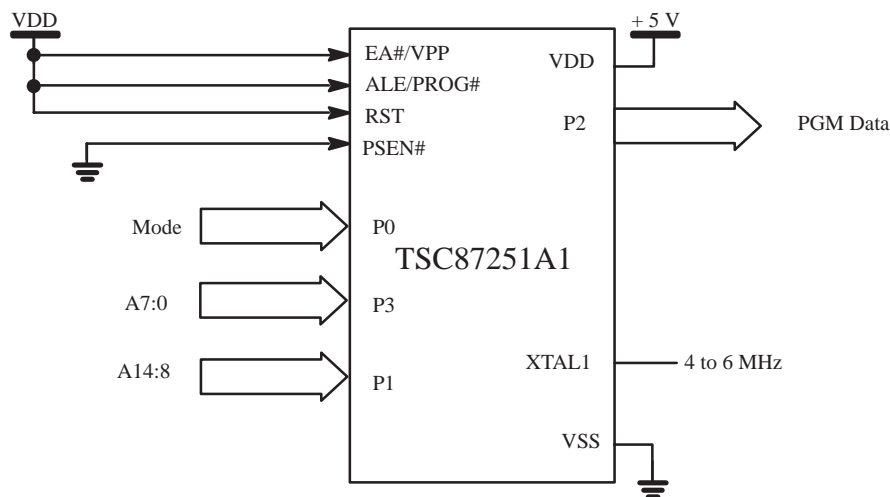


Figure 4.3. Setup for EPROM verification

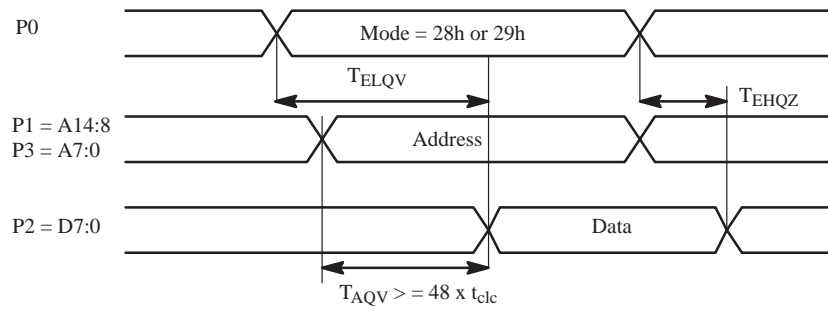


Figure 4.4. Timings for EPROM verification

Table 4.3. EPROM programming & verification characteristics
($T_A = 21$ to 27°C ; $V_{CC} = 5\text{V} \pm 0.25\text{V}$; $V_{SS} = 0$)

Symbol	Parameter	Min	Max	Units
VPP	Programming Supply Voltage	12,75	13	V
IPP	Programming Supply Current		75	mA
TOSC	Oscillator Frequency	167	250	ns
TAVGL	Address Setup to PROG# low	$48T_{OSC}$		
TGHAX	Address Hold after PROG# low	$48T_{OSC}$		
TDVGL	Data Setup to PROG# low	$48T_{OSC}$		
TGHDX	Data Hold after PROG#	$48T_{OSC}$		
TEHSH	ENABLE High to VPP	$48T_{OSC}$		
TSHGL	VPP Setup to PROG# low	10		μs
TGHSL	VPP Hold after PROG#	10		μs
TGLGH	PROG# Width	90	110	μs
TAVQV	Address to Data Valid		$48T_{OSC}$	
T_ELQV	ENABLE low to Data Valid		$48T_{OSC}$	
T_EHQZ	Data Float after ENABLE	0	$48T_{OSC}$	
TGHGL	PROG high to PROG# low	10		μs

Packages

5.1. PLCC 44

5.1.1. Mechanical Outline

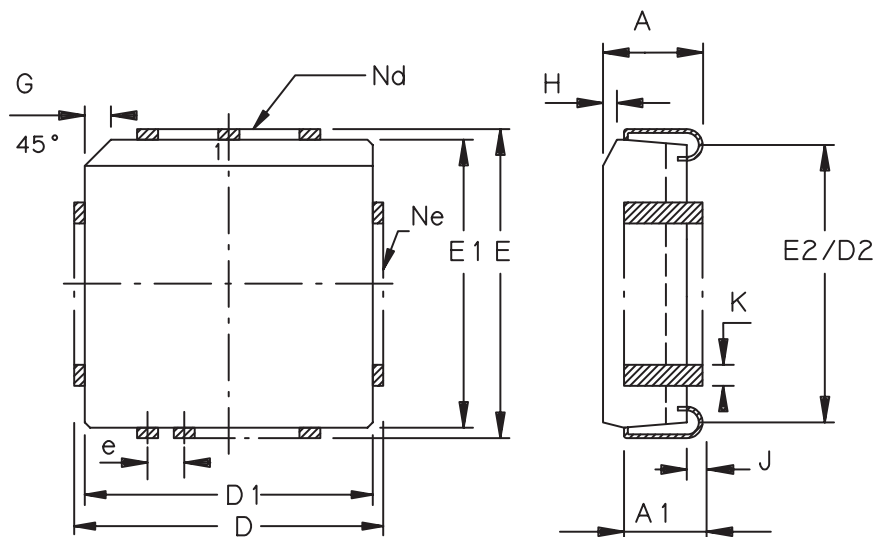


Figure 5.1. Plastic Lead Chip Carrier

Table 5.1. PLCC chip size

	MM		INCH	
	Min	Max	Min	Max
A	4.20	4.57	.165	.180
A1	2.29	3.04	.090	.120
D	17.40	17.65	.685	.695
D1	16.44	16.66	.647	.656
D2	14.99	16.00	.590	.630
E	17.40	17.65	.685	.695
E1	16.44	16.66	.647	.656
E2	14.99	16.00	.590	.630
e	1.27 BSC		.050 BSC	
G	1.07	1.22	.042	.048
H	1.07	1.42	.042	.056
J	0.51	–	.020	–

	MM		INCH	
	Min	Max	Min	Max
K	0.33	0.53	.013	.021
Nd	11		11	
Ne	11		11	
PKG STD		00		

5.1.2. Pin Assignment

Table 5.2. PLCC pin assignment

Pin Number	Pin Name	Pin Number	Pin Name
1	AVSS	23	P2.0/A8
2	Vref	24	P2.1/A9
3	P1.0/AN0	25	P2.2/A10
4	P1.1/AN1	26	P2.3/A11
5	P1.2/ECI/AN2	27	P2.4/A12
6	P1.3/CEX0/AN3	28	P2.5/A13
7	P1.4/CEX1	29	P2.6/A14
8	P1.5/PMI0/CEX2	30	P2.7/A15
9	P1.6/PMI1CEX3	21	PSEN#
10	P1.7/A17/PMI2/CEX4	32	ALE/PROG#
11	RST	33	VSS0
12	P3.0/RXD	34	VDD0
13	P3.1/TXD	35	EA#/VPP
14	P3.2/INT0#	36	P0.7/AD7
15	P3.3/INT1#	37	P0.6/AD6
16	P3.4/T0	38	P0.5/AD5
17	P3.5/T1	39	P0.4/AD4
18	P3.6/WR#	40	P0.3/AD3
19	P3.7/A16/RD#	41	P0.2/AD2
20	XTAL2	42	P0.1/AD1
21	XTAL1	43	P0.0/AD0
22	VSS1	44	AVDD

5.2. CQPJ 44 with Window

5.2.1. Mechanical Outline

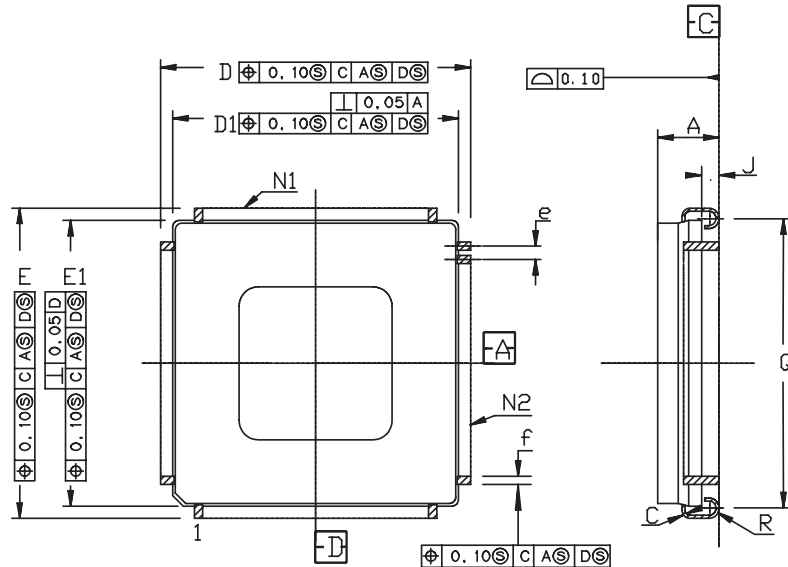


Figure 5.2. Ceramic Quad Pack J

Table 5.3. CQPJ chip size

	MM		INCH	
	Min	Max	Min	Max
A	–	4.90	–	.193
C	0.15	0.25	.006	.010
D – E	17.40	17.55	.685	.691
D1 – E1	16.36	16.66	.644	.656
e	1.27 TYP		.050 TYP	
f	0.43	0.53	.017	.021
J	0.86	1.12	.034	.044
Q	15.49	16.00	.610	.630
R	0.86 TYP		.034 TYP	
N1	11		11	
N2	11		11	

5.2.2. Pin Assignment

Table 5.4. CQPJ pin assignment

Pin Number	Pin Name	Pin Number	Pin Name
1	P1.4/CEX1	23	P2.6/A14
2	P1.5/PMI0/CEX2	24	P2.7/A15
3	P1.6/PMI1/CEX3	25	PSEN#
4	P1.7/A17/PMI2/CEX4	26	ALE/PROG#
5	RST	27	VSS0
6	P3.0/RXD	28	VDD0
7	P3.1/TXD	29	EA#/VPP
8	P3.2/INT0#	30	P0.7/AD7
9	P3.3/INT1#	31	P0.6/AD6
10	P3.4/T0	32	P0.5/AD5
11	P3.5/T1	33	P0.4/AD4
12	P3.6/WR#	34	P0.3/AD3
13	P3.7/A16/RD#	35	P0.2/AD2
14	XTAL2	36	P0.1/AD1
15	XTAL1	37	P0.0/AD0
16	VSS1	38	AVDD
17	P2.0/A8	39	AVSS
18	P2.1/A9	40	Vref
19	P2.2/A10	41	P1.0/AN0
20	P2.3/A11	42	P1.1/AN1
21	P2.4/A12	43	P1.2/ECI/AN2
22	P2.5/A13	44	P1.3/CEX0/AN3

5.3. TQFP 44

5.3.1. Mechanical Outline

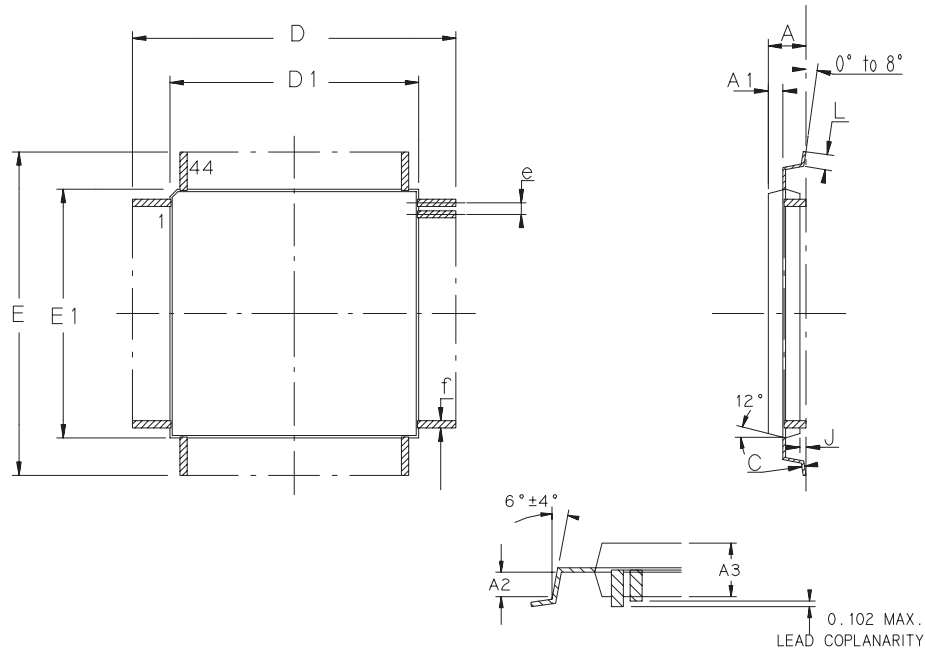


Figure 5.3. Thin Quad Flat Pack (Plastic)

Table 5.5. TQFP chip size

	MM		INCH	
	Min	Max	Min	Max
A	–	1.60	–	.063
A1	0.64 REF		.025 REF	
A2	0.64 REF		.025REF	
A3	1.35	1.45	.053	.057
D	11.90	12.10	.468	.476
D1	9.90	10.10	.390	.398
E	11.90	12.10	.468	.476
E1	9.90	10.10	.390	.398
J	0.05	–	.002	6
L	0.45	0.75	.018	.030
e	0.80 BSC		.0315 BSC	
f	0.35 BSC		.014 BSC	

5.3.2. Pin Assignment

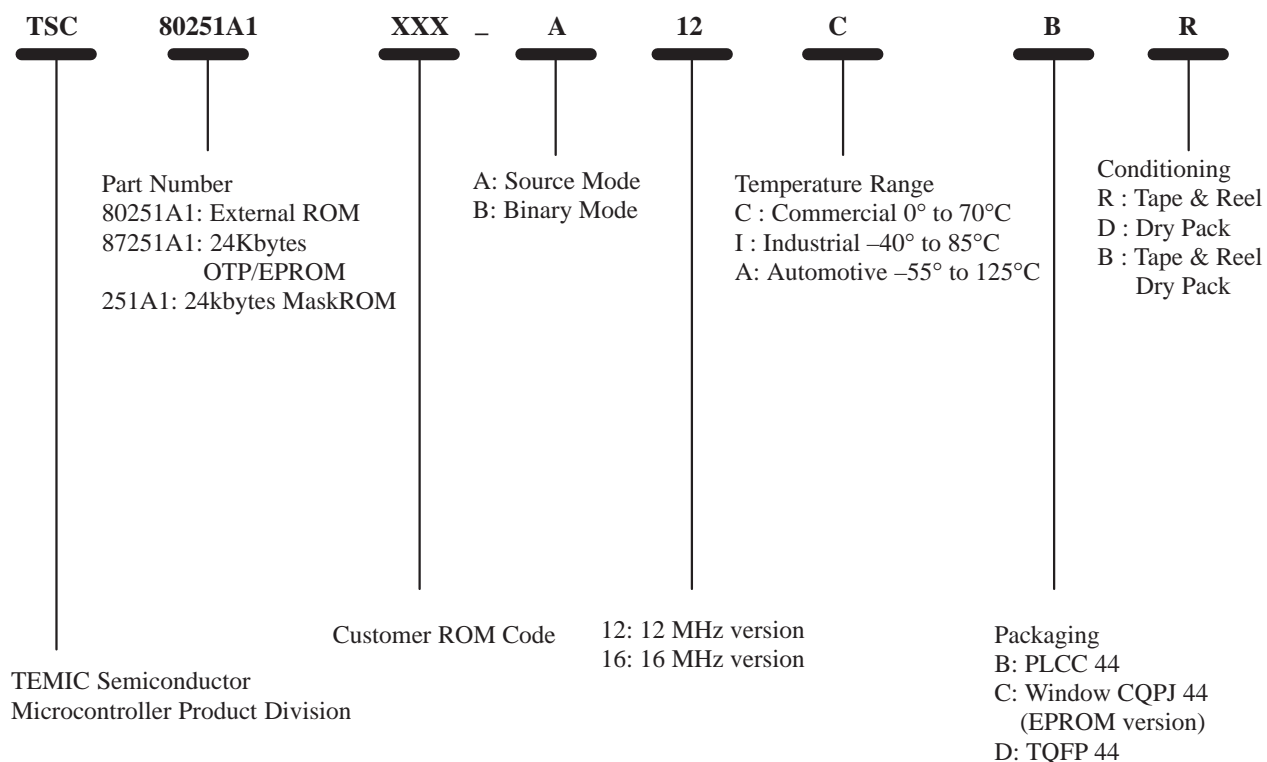
Table 5.6. TQFP pin assignment

Pin Number	Pin Name	Pin Number	Pin Name
1	P1.4/CEX1	23	P2.6/A14
2	P1.5/PMI0/CEX2	24	P2.7/A15
3	P1.6/PMI1CEX3	25	PSEN#
4	P1.7/A17/PMI2/CEX4	26	ALE/PROG#
5	RST	27	VSS0
6	P3.0/RXD	28	VDD0
7	P3.1/TXD	29	EA#/VPP
8	P3.2/INT0#	30	P0.7/AD7
9	P3.3/INT1#	31	P0.6/AD6
10	P3.4/T0	32	P0.5/AD5
11	P3.5/T1	33	P0.4/AD4
12	P3.6/WR#	34	P0.3/AD3
13	P3.7/A16/RD#	35	P0.2/AD2
14	XTAL2	36	P0.1/AD1
15	XTAL1	37	P0.0/AD0
16	VSS1	38	AVDD
17	P2.0/A8	39	AVSS
18	P2.1/A9	40	Vref
19	P2.2/A10	41	P1.0/AN0
20	P2.3/A11	42	P1.1/AN1
21	P2.4/A12	43	P1.2/ECI/AN2
22	P2.5/A13	44	P1.3/CEX0/AN3

Section IV

Ordering Information

Ordering information



Examples

Part Number	Description
TSC80251A1-A16CBR	ROMless, Source Mode, 16 MHz, PLCC 44, 0 to 70°C, Tape and Reel
TSC87251A1-A12CB	OTP, Source Mode, 12 MHz, PLCC 44, 0 to 70°C
TSC87251A1-A12CBR	EPROM, Source Mode, 12 MHz, PLCC 44, 0 to 70°C, Tape and Reel

Development Tools

Part Number	Description
TSC80251A1-SKA	Software Starter Kit Keil
TSC80251A1-SKB	Software Starter Kit Tasking
TSC80251A1-EKA	Evaluation Kit Keil
TSC80251A1-EKB	Evaluation Kit Tasking

Product Marking :

TEMIC Customer P/N Temic P/N © Intel'95 YYWW Lot Number

Addresses

Europe

Denmark

TEMIC Dansk
c/o AEG Industri A/S
Roskildevej 8-10
2620 Albertslund
Tel: 45 42 6485 22
Fax: 45 43 6262 28

TEMIC TELEFUNKEN micro-
electronic GmbH
Kruppstrasse 6
45128 Essen
Tel: 49 201 24730 0
Fax: 49 201 24730 47

Italy

TEMIC Italiana
Via Stephenson 94
20157 Milano
Tel: 39 2 33212 1
Fax: 39 2 33212 234

Sweden

TEMIC Nordic AB
Kavallerivaegen 24, Rissne
17202 Sundbyberg
Box 2042
Tel: 46 8 733 0090
Fax: 46 8 733 0558

France

TEMIC France
Les Quadrants - 3, avenue du
centre
78054 St.-Quentin-en-Yve-
lines Cedex
B.P. 309
Tel: 33 1 3060 7000
Fax: 33 1 3060 7111

TEMIC TELEFUNKEN micro-
electronic GmbH
Theresienstrasse 2
74072 Heilbronn
Postfach 3535, PLZ 74025
Tel: 49 7131 67 0
Fax: 49 7131 67 2444

Spain

TEMIC Iberica
Principe de Vergara, 112
28002 Madrid
Tel: 34 1 562 7600
Fax: 34 1 562 7514

United Kingdom

TEMIC U.K. Ltd.
Easthampstead Road
Bracknell
Berkshire RG12 1LX
Tel: 44 1344 707 300
Fax: 44 1344 427 371

Germany

TEMIC TELEFUNKEN micro-
electronic GmbH
Erfurter Strasse 31
85386 Eching
Tel: 49 89 319 700
Fax: 49 89 319 4621

Hungary

TEMIC TELEFUNKEN micro-
electronic Hungary Kft.
Napmatka u. 6
1106 Budapest
Tel: 36 1 2608 542
Fax: 36 1 2649 017

North America

USA

Alabama

TEMIC North America Inc.
125 Electronics Boulevard,
Ste.C-1
Huntsville
Alabama 35824
Tel: 1 205 461 7894
Fax: 1 205 461 7928

Georgia

TEMIC North America Inc.
6045 Atlantic Blvd.,Ste.212
Norcross
Georgia 30071
Tel: 1 770 662 1598
Fax: 1 770 662 1561

Michigan

TEMIC North America Inc.
Continental Plaza
2701 Troy Center Drive,
Ste.220
Troy
Michigan 48084
Tel: 1 810 244 0610
Fax: 1 810 244 0848

New Jersey

TEMIC North America Inc.
180 Mount Airy Road, Ste.100
Basking Ridge
New Jersey 07920
Tel: 1 908 630 9200
Fax: 1 908 630 9201

California

TEMIC North America
2201 Laurelwood Road
Santa Clara
California 95056-0951
Tel: 1 408 988 8000
Fax: 1 408 970 3950

Illinois 60192

TEMIC North America Inc.
5401 Trillium BLVD.,Ste.275
Hoffman Estates
Illinois 60192
Tel: 1 847 645 0038
Fax: 1 847 645 0041

New Hampshire

TEMIC North America Inc.
c/o Siliconix Inc.
5 Casey Circle Nashua
Nashua
New Hampshire 03062
Tel: 1 603 598 2541
Fax: 1 603 886 9603

New York

TEMIC North America Inc.
3 River Island Drive
Brewerton
New York 13029
Tel: 1 315 676 4228
Fax: 1 315 676 2244

TEMIC North America Inc.
12431 Landale Street
Studio City
California 91604
Tel: 1 818 985 0558
Fax: 1 818 985 0418

TEMIC North America Inc.
16 Rockledge Ave, Ste.56-1
Scarborough
New York 10510
Tel: 1 914 945 0618
Fax: 1 914 945 0769

North America

USA / Mexico

North Carolina

TEMIC North Carolina
5525 Doemont Drive
Apex
North Carolina 27502
Tel: 1 919 662 9595
Fax: 1 919 662 9520

Texas

TEMIC North America Inc.
2100 West Loop South, Ste.800
Houston
Texas 77027
Tel: 1 713 297 8871
Fax: 1 713 297 8872

TEMIC Technical Support
Center
5605 North MacArthur
Blvd.220
Irving
Texas 75038
Tel: 1 214 756 0302
Fax: 1 214 756 0702

Mexico

TEMIC Mexicana Division
Semiconductorres
13 Sur 505 – 10 Piso
72000 Puebla, PUE
Tel: 525 22 464634
Fax: 525 22 464404

China / Asia Pacific / Japan

China

TEMIC Shanghai Ltd.
3/F 501 Jiangchang West Road
200436 Shanghai
Tel: 86 21 5677 3398
Fax: 86 21 5603 3194

India

TEMIC India
8/53 South Patel Nagar
110008 New Delhi
Tel: 91 11 578 9133
Fax: 91 11 578 9133

Rep. of Singapore

TEMIC Singapore Pte Ltd
AEG Building, #02-00
25 Tampines Street 92
Singapore 528877
Tel: 65 788 6668
Fax: 65 788 0031

Japan

TEMIC Japan K.K.
Roppongi First Bldg. 17F
1-9-9, Roppongi, Minato-ku
Tokyo 106
Tel: 81 3 5562 3321
Fax: 81 3 5562 3316

Hong Kong

TEMIC Hong Kong Limited
Ste.1701, World Finance
Centre
South Tower, Harbour City
17 Canton Road, Tsimshatsui
Kowloon
Tel: 852 23 789 789
Fax: 852 23 755 733

Korea

TEMIC Korea
Ste.605, Singsong Bldg.
#25-4, Yoido-Dong
Youngdeungpo-Ku
150-010 Seoul
Tel: 82 2 7851 136
Fax: 82 2 7851 137

Taiwan, R.O.C.

TEMIC Taiwan
17F-1, 76, Section 2
Tun Hwa South Road
Taipei City
Tel: 886 2 755 6108
Fax: 886 2 755 4777

Section V

TEMIC Addresses

Addresses

Europe

Austria

SEI/Elbatex
Eitnergasse 6
1233 Wien
Tel: 43 1 8160 2215
Fax: 43 1 8160 2400

Croatia

Dolenc d.o.o.
Ivana Mazuranica 31
10290 Zagreb / Zapresic
Tel: 385 41 704 905
Fax: 385 41 702 769

Germany

Ing. Buero Rainer Koenig
Giesensdorfer Strasse 11 A
12207 Berlin
Postfach 420, PLZ 12174
Tel: 49 30 7689 090
Fax: 49 30 7689 0930

Israel

Tritech Ltd.
Ind. Zone
4, Hayetzira Street
43100 RA'ANANA
P.O. Box 2436
Tel: 972 9 917 277
Fax: 972 9 982 616

Poland

APL
ul. Mokotowska 4/6
00641 Warszawa
Tel: 48 22 256 259
Fax: 48 22 257 276

Rep. of Ireland

Memec Ireland Ltd.
Gardner House
Bank Place
Limerick
Tel: 353 61 4118 42
Fax: 353 61 4118 88

Turkey

ERDA elektronik sanayi ve ti-
caret a.s.
Garanti Koza Evleri
Visne 1 Mah.2. SokakNo.1
80936 Zekeriyakoy-Istanbul
Tel: 90 212 2026 318
Fax: 90 212 2026 307

United Kingdom

BCD Microelectronics Ltd.
Swaffham Bulbeck
3 Station Road
Cambridge CB5 0NB
Tel: 44 1223 8125 98
Fax: 44 1223 8126 86

Abercorn Electronics Ltd.
Philipstown, Scotland
Pardovan, West Lothian
Linlinthgow EH49 6QZ
Tel: 44 1506 8342 22
Fax: 44 1506 8345 54

North America

USA

Alabama

Rep. Inc.
11535 Gilleland Road
Huntsville
Alabama 35803
Tel: 1 205 881 9270
Fax: 1 205 882 6692

Alaska

see Washington

Arizona

QuadRep Southern Inc.
40 W. Baseline Road, Ste.116
Tempe
Arizona 85283
Tel: 1 602 839 2102
Fax: 1 602 839 2126

Arkansas

see Texas (Arlington)

California

QuadRep Southern, Inc.
15215 Alton Parkway, Ste.200
Irvine
California 92130
Tel: 1 714 727 4222
Fax: 1 714 727 4033

QuadRep Southern Inc.
11995 El Camino Real, Ste.305
San Diego
California 92130
Tel: 1 619 755 1188
Fax: 1 619 793 9269

QuadRep North, Inc.
2635 North First Street, Ste.116
San Jose
California 95134-2009
Tel: 1 408 432 3300
Fax: 1 408 432 3428

Colorado

QuadRep Rocky Mtn. Inc.
6500 South Quebec Street,
Ste.210
Englewood
Colorado 80111
Tel: 1 303 771 6886
Fax: 1 303 771 6887

QuadRep Rocky Mtn. Inc.
19410 Rim of the World
Monument
Colorado 80132
Tel: 1 719 4889 097
Fax: 1 719 4889 312

Connecticut

see New York (Metro/L.I.)

Delaware

see New Jersey

District of Columbia

see Maryland

Florida

Naltron Corporation
Southern Office
14460 Greenbriar Place
Davie
Florida 33325
Tel: 1 305 370 9363
Fax: 1 305 370 6188

Naltron Corporation
Central Office
588 Peregrine Drive
Indialantic
Florida 32903
Tel: 1 407 777 3399
Fax: 1 407 777 2050

Rep. Inc. South
235 South Maitland, Ste.211
Maitland
Florida 32751
Tel: 1 407 628 4837
Fax: 1 407 645 0356

Naltron Corporation
110 S. W. 91 Av., Ste.206
Plantation
Florida 33324
Tel: 1 305 236 3580
Fax: 1 305 236 3581

Naltron Corporation
South
5401 W. Kennedy, Ste.1060
Tampa
Florida 33609
Tel: 1 813 287 1433
Fax: 1 813 287 1746

Naltron Corporation
4144 Waterview Loop
Winter Park
Florida 32792
Tel: 1 407 657 7003
Fax: 1 407 657 4240

Georgia

Rep. Inc.
1944 Northlake Parkway, Ste.1
Tucker
Georgia 30084
Tel: 1 404 938 4358
Fax: 1 404 938 0194

Hawaii

see California

Idaho

QuadRep Northwest
10451 West Garverdale,
Ste.209
Boise
Idaho 83704
Tel: 1 208 375 9868
Fax: 1 208 323 9386

Illinois

Victory Sales
1030 W. Higgins Road, Ste.101
Hoffman Estates
Illinois (Northern) 60195
Tel: 1 847 490 0300
Fax: 1 847 490 1499

Indiana

Victory Sales
3077 East 98th Street, Ste.135
Indianapolis
Indiana 46280
Tel: 1 317 581 0880
Fax: 1 317 581 0882

Iowa

Stan Clothier Company
1930 St. Andrews NE
Cedar Rapids
Iowa 52402
Tel: 1 319 393 1576
Fax: 1 319 393 7317

Kansas

Stan Clothier Company
13000 West 87th Street Park-
way, Ste.105
Lenexa
Kansas 66215
Tel: 1 913 492 2124
Fax: 1 913 492 1855

Kentucky

see Indiana

Louisiana

see Texas (Arlington)

Maine

see Massachusetts

Maryland

Arbotek Associates, Inc.
2408 Peppermill Drive, Ste.1
Glen Burnie
Maryland 21061
Tel: 1 410 768 5355
Fax: 1 410 768 8118

Massachusetts

C&D Electronics
90 Carando Drive
Springfield
Massachusetts 01104
Tel: 1 413 781 1776
Fax: 1 413 736 8549

Technology Sales Inc.
332 Second Avenue
Waltham
Massachusetts 02154
Tel: 1 617 890 5700
Fax: 1 617 890 3913

Michigan

Victory Sales
39111 W. Six Mile Road
Livonia
Michigan 48152
Tel: 1 313 432 3147
Fax: 1 313 432 3146

Minnesota

Stan Clothier Company
9600 West 76th Street, Ste.A
Eden Prairie
Minnesota 55344
Tel: 1 612 944 3456
Fax: 1 612 944 6904

Mississippi

see Alabama

Missouri

Stan Clothier Company
3910 Old Highway 94, South
Ste.116
St. Charles
Missouri 63304
Tel: 1 314 928 8078
Fax: 1 314 447 5214

Montana

see Colorado

Nebraska

see Kansas

Nevada (Clark County)

see Arizona

Nevada

(exc. Clark County)

QuadRep Sierra
987 Tahoe Blvd.
Incline Village
Nevada 89451
Tel: 1 702 832 2701
Fax: 1 702 832 2703

New Hampshire

see Massachusetts

New Jersey (Northern)

see New York (Metro/L.I.)

New Jersey (Southern)

see Pennsylvania (Eastern)

New Mexico

see Arizona

New York

Astrorep Incorporated
103 Cooper Street
Babylon
New York (Metro/L.I.)
Tel: 1 516 422 2500
Fax: 1 516 422 2504

Technology Sales, Inc.
920 Perinton Hills Office Park
Fairport
New York 14450 (Upstate)
Tel: 1 716 223 7500
Fax: 1 716 223 5526

North Carolina

Rep. Inc. #062
1026 Forest Oak Drive, Ste.204
Charlotte
North Carolina 28209
Tel: 1 704 521 9982
Fax: 1 704 521 9995

Rep. Inc.
2500 Gateway Centre Blvd.
Morrisville
North Carolina 27560
Tel: 1 919 469 9997
Fax: 1 919 481 3879

North Dakota

see Minnesota

Ohio

Victory Sales Inc.
7333 Paragon Road, Suite 210
Centerville
Ohio 45458
Tel: 1 513 436 1222
Fax: 1 513 436 1224

Victory Sales
32901 Station Street, Ste.104
Solon
Ohio 44139
Tel: 1 216 498 7570
Fax: 1 216 498 7574

Oklahoma

see Texas (Arlington)

Oregon

QuadRep Northwest
17020 SW Upr. Boones Fry.
Rd. #202
Portland
Oregon 97224
Tel: 1 503 620 8320
Fax: 1 503 639 4023

Pennsylvania (Western)

see Ohio (Solon)

Pennsylvania (Eastern)

Astrorep Mid Atlantic Inc.
375 Horsham Road, Ste.200
Horsham, PA. 19044
Pennsylvania
Tel: 1 215 957 9580
Fax: 1 215 957 9583

Puerto Rico

Technology Sales, Inc.
Edificio Rali, Ste.216
San German
P.O. Box 121
Puerto Rico 00683-0121
Tel: 1 809 892 4745
Fax: 1 809 892 1128

Rhode Island

see Massachusetts

South Carolina

see North Carolina

South Dakota

see Minnesota

Tennessee

Rep. Inc.
1908 Branner Avenue
Jefferson City
P.O. Box 490
Tennessee 37760
Tel: 1 615 475 9012
Fax: 1 615 475 6340

Texas

Ion Associates, Inc.
2221 East Lamar, Ste.250
Arlington
Texas 76006
Tel: 1 817 695 8000
Fax: 1 817 695 8010

Ion Associates, Inc.
9390 Research Blvd., Ste.210
Austin
Texas 78759
Tel: 1 512 794 9006
Fax: 1 512 794 9008

Ion Associates, Inc.
20405 S.H. 249, Ste.150
Houston
Texas 77070
Tel: 1 713 376 2000
Fax: 1 713 376 2034

Utah

QuadRep Rocky Mtn. Inc.
180 South 300 West, Ste.231
Salt Lake City
Utah 84101
Tel: 1 801 521 4717
Fax: 1 801 821 4745

Vermont

see Massachusetts

Virginia

see Maryland

Washington

QuadRep Crown, Inc.
375 118th Avenue, South East,
Ste.110
Bellevue
Washington 98005-3575
Tel: 1 206 453 5100
Fax: 1 206 646 8775

West Virginia

see Maryland

Wisconsin

Victory Sales
405 North Calhoun Road,
Ste.208
Brookfield
Wisconsin 53005
Tel: 1 414 789 5770
Fax: 1 414 789 5760

Wyoming

see Colorado

Canada / South America

Ontario

Dynasty Components Inc.
1 Terence Matthews Guide
Kanata K2M293
Ontario
Tel: 1 613 599 5570
Fax: 1 613 599 5577

Brasil

Mikrotron Representacao e
Consultoria S/C Ltda.
Rua Morato Coelho 798, cj.71
05417-001 Sao Paulo-SP
Tel: 55 11 814 7315
Fax: 55 11 815 8790

Venezuela

Electronica Uribe C.A.
Aptdo. de Correos
Piso 1, Oficina G Calle 3-A, L
Uribina
62621 Caracas
Tel: 58 2 241 2689
Fax: 58 2 241 0192

Asia Pacific

Australia

Consulaust International Pty
Ltd
3rd Floor, 10 Bridge Street
Granville, NSW 2142
Tel: 61 2 637 2558
Fax: 61 2 682 4521

IRH Components
1-5 Carter Street
2128 Silverwater
NSW
Tel: 61 2 364 1766
Fax: 61 2 648 3505

Consulaust International Pty.
Ltd.
15 Shierlaw Avenue
Canterbury
P.O.Box 357, Camberwell
VIC
Tel: 61 3 8362 566
Fax: 61 3 8301 1764

Hong Kong

Audio Mechanical Corp. Ltd.
Ste.1701 A World Finance
Centre
South Tower, Harbour City
17, Canton Road, Tsimshatsui
Kowloon
Tel: 852 2 736 8192
Fax: 852 2 735 0926

Kaolink Trading Company
Unit 12,9/F.,Kodak House,Ph.
2
39 Healthy Street East
North Point
Tel: 852 2 805 5988
Fax: 852 2 805 5922

Willias-Array Electronics Ltd.
200 Tai Lin Pai Road
Unit 1,24/F, Wyler Centre
Phase 2
Kwai Chung
N.T.
Tel: 852 2 418 3700
Fax: 852 2 481 6992

India

Blue Star Limited
Blue Star House 11/A
Magarath Road
560 025 Bangalore
Tel: 91 80 558 4728
Fax: 91 80 558 4599

Blue Star Limited
Sahas 414/2
Veer Savarkar Marg
400025 Prabhadevi, Bombay
Tel: 91 22 430 6155
Fax: 91 22 430 7078

Korea

Changnam Electronics Industry
#44-22, Yoido-Dong
9th Fl., Hosung Bldg.
Seoul
Youngdeungpo-Ku
Tel: 82 2 7820 412
Fax: 82 2 7847 702

Malaysia

Scan Components (M)
Sdn.Bhd.
11900 Sungei Nibong
761-B, Jalan Sultan Azlan
Shah
Penang
Tel: 60 4 643 5136
Fax: 60 4 643 6320

Rep. of Singapore

QuadRep Marketing (S)
Pte.Ltd.
#12-05 Parkway Builders
Centre
1 Marine Parade Central
Singapore 449408
Tel: 65 346 1933
Fax: 65 346 1911

Scan Technology (S) Pte Ltd.
Jurong Industrial Estate
10 Penjuru Lane
Singapore 6091901233
Tel: 65 2 652 655
Fax: 65 2 655 200

Taiwan, R.O.C.

Uppertech Enterprise Co.,Ltd.
Hsin Tien City
6F, No 92, Pao Chung Road
Taipei
Tel: 886 2 916 1997
Fax: 886 2 914 1152

World Peace Industrial CS
Ltd.(WPI)
8 F,76 Cheng Kung Road Sec.1
Nanking
Taipei
Tel: 886 2 7885 200
Fax: 886 2 7883 255

Thailand

Scan Technology (T) Pte Ltd
93/37 Modern Group Building
Chaeng Wattana Road
Pakkred Nontaburi, 11120
Tel: 662 982 9023
Fax: 662 574 6386

Addresses

Europe

Austria

EBV Elektronik GmbH
Diefenbachgasse 35/6
1150 Wien
Tel: 43 1 8941 7740
Fax: 43 1 8941 775

Farnell Electronic Services
Akaziengasse 42
1234 Wien
Tel: 43 1 6945 170
Fax: 43 1 6945 110

SEI/Elbatex GmbH
Eitnergasse 6
1232 Wien
Tel: 43 1 8664 20
Fax: 43 1 8664 2201

SPOERLE Electronic GmbH
Heiligenstaedter Strasse 52
1190 Wien
Tel: 43 1 3187 2700
Fax: 43 1 3692 273

Belgium

Farnell Electronic Services
Excelsiorlaan 4A
1930 Zaventem
Tel: 32 2 7253 533
Fax: 32 2 7254 135

EBV Elektronik
Excelsiorlaan 35
1930 Zaventem
Tel: 32 2 7160 010
Fax: 32 2 7208 152

SPOERLE Electronic
Keiberg II – Minervastraat 14
1930 Zaventem
Tel: 32 2 725 4660
Fax: 32 2 725 4511

Czech Republic

SPOERLE Electronic
spol.sr.o.
Scharkovska 24
101 Praha 10
Tel: 42 2 731 354
Fax: 42 2 731 355

Denmark

EBV Elektronik
Ved Lunden 9
8230 Aabyhoj
Tel: 45 8625 0466
Fax: 45 8625 0466

AEG Industri A/S
Roskildevej 8–10
2620 Albertslund
Tel: 45 42 648 522
Fax: 45 42 643 311

Farnell Electronic Services
Smedeholm 13–19
2730 Herlev
Tel: 45 4485 7500
Fax: 45 4485 7530

SEI/Hatteland A/S
Tindbjergvej 18
8600 Silkeborg
Tel: 45 8683 6211
Fax: 45 8683 6383

Arrow–EXATEC
Mileparken 20 E
2740 Skovlunde
Tel: 45 4492 7000
Fax: 45 4492 6020

EBV Elektronik
Gladsaxevej 370
2860 Soborg
Tel: 45 3969 0511
Fax: 45 3969 0504

Finland

Arrow–Field OY
Nittyläntie 5
00620 Helsinki
Tel: 358 0 777 571
Fax: 358 0 777 3718

Farnell Electronic Services
Tyopajakatu 5
00580 Helsinki
PL 25
Tel: 358 0 4766 60
Fax: 358 0 4766 6329

SEI/Hatteland
Malminkaari 230
00700 Helsinki
Tel: 358 0351 61 521
Fax: 358 0351 61 522

France

Dimacel
63, rue Jean–Jaures
95874 Bezons Cedex
Tel: 33 1 3423 7069
Fax: 33 1 3423 7033

Arrow
Centreda
Avenue Didier Dorat
31700 Blagnac
Tel: 33 1 6115 7518
Fax: 33 1 6130 0193

EBV Elektronik
Im Lutelicum
1 Square du Chene Germain
35510 Cesson Sevigne
Tel: 33 99 3843 38
Fax: 33 99 3892 65

Arrow
Parc d'affaires Hercule
12C, rue des Landelles
35510 Cesson–Sevigne
Tel: 33 1 9941 7044
Fax: 33 1 9950 1128

EBV Elektronik
16, rue Galilee Cité Descartes
77436 Champs–sur–Marne
Tel: 33 1 6468 8600
Fax: 33 1 6468 2767

Future Electronics
Parc Technopolis
LP 854 – Les Ulis
3, Courtaboeuf du Canada, Bat.
Theta 2
91974 Courtaboeuf Cedex
Tel: 33 1 6982 1111
Fax: 33 1 6982 1100

Farnell Electronic Services
ZAC des Maisons Neuves
15, rue de Beledonne
38320 Eybens
BP 133
Tel: 33 1 7624 5261
Fax: 33 1 7662 2804

Farnell Electronic Services
Espace Technologique
BP 69 Saint Aubin
91192 Gif–Sur–Yvette Cedex
16 ZA de Coutraboeuf
Tel: 33 1 6985 8383
Fax: 33 1 6985 8399

Arrow
Les jardins d'entreprise–BatB3
213, rue de Gerland
69007 Lyon
Tel: 33 1 7872 7942
Fax: 33 1 7872 8024

SCAIB
8, rue du Repos
69007 Lyon
Tel: 33 1 7273 2127
Fax: 33 1 7869 1080

SCAIB
Chemin des Clos, ZIRST
38240 Meylan
Tel: 33 1 7690 2260
Fax: 33 1 7641 0954

SCAIB
3 ter, rue de l'hippodrome
44300 Nantes
Tel: 33 4037 0036
Fax: 33 4037 0104

SEI/SCAIB
6 Rue Ambroise Croizat
91127 Palaiseau Cedex
Tel: 33 1 6919 8900
Fax: 33 1 6919 8920

Arrow Electronique
73/79, Rue des Solets
94663 Rungis Cedex
B.P. Silic 585
Tel: 33 1 4978 4948
Fax: 33 1 4978 0596

Farnell Electronic Services
59 Route du General de Gaulle
67300 Schiltigheim
Tel: 33 1 8862 9596
Fax: 33 1 6985 8399

Arrow
Les Delonix
138, chemin du stade
83140 Six–Fours
Tel: 33 1 9434 2323
Fax: 33 1 9474 8659

SCAIB
Rue des Charrons
31702 Toulouse
BP 57
Tel: 33 1 6171 9083
Fax: 33 1 6130 4987

EBV Elektronik
Parc Club du Moulin á Vent
33, Av. du Docteur Georges
Levy, Bat 55
69693 Venissieux Cedex
Tel: 33 1 7877 6777
Fax: 33 1 7800 8081

Farnell Electronic Services
Parc Club du Moulin Vent
33, rue du Docteur Gerard
Levy
69693 Venissieux Cedex
Tel: 33 1 7278 1870
Fax: 33 1 7278 1897

SCAIB
Technoparc
23, allée Lavoisier
59650 Villeneuve d'Ascq
Tel: 33 1 2005 2903
Fax: 33 1 2005 9912

Arrow
P.A.T de Brabois-Bat B8
18, allée de la forêt de la Reine
54600 Villers Les Nancy
Tel: 33 1 8344 1616
Fax: 33 1 8344 3863

Germany

SPOERLE Electronic GmbH
Kackertstrasse 10
52072 Aachen
Tel: 49 241 8896 90
Fax: 49 241 8116 2

Farnell Electronic Services
GmbH
Heubergstrasse 43
72631 Aichtal
Tel: 49 7127 508 78
Fax: 49 7127 562 25

Farnell Electronic Services
GmbH
Maubacher Strasse 30
71522 Backnang
Tel: 49 7191 689 31
Fax: 49 7191 689 31

Farnell Electronic Services
GmbH
Bantorfer Brink 75
30890 Barsinghausen
Tel: 49 5105 5146 63
Fax: 49 5105 5140 60

EBV Elektronik GmbH
Behaimstrasse 3
10585 Berlin
Postfach 100208, PLZ 10562
Tel: 49 30 3421 041
Fax: 49 30 3419 003

Eurodis Enatechnik Electronics
GmbH
Sickingenstrasse 1
10553 Berlin
Tel: 49 30 3441 043
Fax: 49 30 3449 544

Future Electronics
Luxemburger Strasse 35
11353 Berlin
Tel: 49 30 4690 890
Fax: 49 30 4690 8989

SPOERLE Electronic GmbH
Rudower Strasse 27-29
12351 Berlin
Tel: 49 30 6060 11
Fax: 49 30 6014 057

SPOERLE Electronic GmbH
Hoepfigheimer Strasse 5
74321 Bietigheim-Bissingen
Postfach 1727, PLZ 74307
Tel: 49 7142 7003 0
Fax: 49 7142 7003 60

EBV Elektronik GmbH
In der Meineworth 21
30938 Burgwedel
Postfach 1355, PLZ 30929
Tel: 49 5139 8087 0
Fax: 49 5139 5199

Eurodis Enatechnik Electronics
GmbH
Rheinstrasse 24
64283 Darmstadt
Tel: 49 6151 1741 0
Fax: 49 6151 1741 11

Future Electronics Deutschland
GmbH
Hauert 8
44227 Dortmund
Tel: 49 231 9750 480
Fax: 49 231 9750 823

SPOERLE Electronic GmbH
Hildebrandstrasse 13
44319 Dortmund
Postfach 130362, PLZ 44313
Tel: 49 231 218 010
Fax: 49 231 2180 167

SPOERLE Electronic GmbH
Headquarter
Max-Planck-Str. 1-3
63303 Dreieich
Postfach 102140, PLZ 63267
Tel: 49 6103 304 0
Fax: 49 6103 304 344

Eurodis Enatechnik Electronics
GmbH
St. Petersburger Str. 15
01309 Dresden
Tel: 49 351 3361 304
Fax: 49 351 3361 306

EBV Elektronik GmbH
Burgstrasse 81-83
65817 Eppstein
Tel: 49 6198 5920 50
Fax: 49 6198 5920 70

Farnell Electronic Services
GmbH
Fr.-Engels-Strasse 54/94
99086 Erfurt
Tel: 49 361 211 3580
Fax: 49 361 211 3580

Future Electronics Deutschland
GmbH
Wilhelm-Wolff-Str.6
99099 Erfurt
Tel: 49 361 4208 70
Fax: 49 361 4208 760

Farnell Electronic Services
GmbH
Am Geissberg 8
71292 Frieolzheim
Tel: 49 7044 440 49
Fax: 49 7044 441 48

Farnell Electronic Services
GmbH
Kurze Strasse 1
74376 Gemmrigheim
Tel: 49 7143 9439 0
Fax: 49 7143 9439 0

DLC 3
Rodeweg 18
37081 Goettingen
Postfach 3352, PLZ 37023
Tel: 49 551 904 0
Fax: 49 551 904 46748

Farnell Electronic Services
GmbH
Feithstrasse 41
58095 Hagen
Tel: 49 2331 5899 40
Fax: 49 2331 5899 40

SPOERLE Electronic GmbH
Schnackenburg Allee 149
22525 Hamburg
Postfach 540824, PLZ 22508
Tel: 49 40 853 134 0
Fax: 49 40 8531 3490

Eurodis Enatechnik Electronics
GmbH
Rendsburger Str. 24
30659 Hannover
Tel: 49 511 6159 70
Fax: 49 511 6159 798

Future Electronics Deutschland
GmbH
Black & Decker-Strasse 17B
65510 Idstein
Tel: 49 6126 5402 0
Fax: 49 6126 5162 9

EBV Elektronik GmbH
Matthias-Claudius-Strasse 2A
41564 Kaarst
Tel: 49 2131 9677 0
Fax: 49 2131 9677 30

EBV Elektronik GmbH
Headquarter
Ammerthalstr. 28
85551 Kirchheim-Heimstetten
Tel: 49 89 9911 40
Fax: 49 89 9911 4422

Eurodis Enatechnik Electronics
GmbH
Henschelring 5
85551 Kirchheim/Muenchen
Tel: 49 89 9049 820
Fax: 49 89 9049 8240

Eurodis Enatechnik Electronics
GmbH
Max-Stromeyerstrasse 1
78467 Konstanz
Tel: 49 7531 6104 8
Fax: 49 7531 6726 0

Future Electronics Deutschland
GmbH
Johannes-Daur-Strasse 1
70825 Korntal-Muenchingen
Tel: 49 711 8308 30
Fax: 49 711 8308 383

Farnell Electronic Services
GmbH
Platanenstrasse 33
86899 Landsberg
Tel: 49 8191 229 45
Fax: 49 8191 229 45

Future Electronics
Buschkamp 84
30853 Langenhagen
Tel: 49 511 7256 20
Fax: 49 511 7256 262

EBV Elektronik GmbH
Boeblinger Strasse 13
71229 Leonberg
Tel: 49 7152 300 90
Fax: 49 7152 7595 8

Farnell Electronic Services
GmbH
Othlinghauser Strasse 29A
58509 Luedenscheid
Tel: 49 2351 6340 34
Fax: 49 2351 6340 34

SPOERLE Electronic GmbH
Hauptstrasse 103
04416 Markkleeberg
Tel: 49 341 3562 20
Fax: 49 341 35622 66

Farnell Electronic Services
GmbH
Stiftstrasse 14
32427 Minden
Tel: 49 571 8401 12
Fax: 49 571 8401 12

Farnell Electronic Services
GmbH
Elektronik Vertrieb Headquarter
Bahnhofstrasse 44
71693 Moeglingen
Tel: 49 7141 487 0
Fax: 49 7141 487 210

Eurodis Enatechnik Electronics
GmbH
Hellersberger Strasse 14
41469 Neuss
Tel: 49 2131 918 890
Fax: 49 2131 918 930

Eurodis Enatechnik Electronics
GmbH
Lina-Ammon-Strasse 22
90471 Nuernberg
Tel: 49 911 8603 0
Fax: 49 911 8603 230

SPOERLE Electronic GmbH
Rathsbergstrasse 17
90411 Nuernberg
Tel: 49 911 5215 60
Fax: 49 911 5215 635

Farnell Electronic Services
GmbH
Am Saalbach 5
76661 Philippsburg
Tel: 49 7256 7878
Fax: 49 7256 7878

SPOERLE Electronic GmbH
Werner-von-Braun-Strasse 9
85640 Putzbrunn
Tel: 49 89 4561 80
Fax: 49 89 4561 8399

Eurodis Enatechnik Electronics
GmbH Headquarter
Pascalkehre 1
25443 Quickborn
Tel: 49 4106 701 0
Fax: 49 4106 701 268

Future Electronics Deutschland
GmbH
Max-Weber-Strasse 3
25451 Quickborn
Tel: 49 4106 7102 1
Fax: 49 4106 7522 6

EPSa GmbH
Werk Saalfeld
Remschützer Strasse 1
07318 Saalfeld
Tel: 49 3671 448 150
Fax: 49 3671 448 161

Farnell Electronic Services
GmbH
Kirchroettenbach 47
91220 Schnaittach
Tel: 49 9126 39 94
Fax: 49 9126 39 95

Farnell Electronic Services
GmbH
Roemerstrasse 116
59379 Selm
Tel: 49 2592 9812 13
Fax: 49 2592 9812 13

Eurodis Enatechnik Electronics
GmbH
Dreifelder Str. 36
70599 Stuttgart
Postfach 720150, PLZ 70577
Tel: 49 711 458 960
Fax: 49 711 458 96 66

SPOERLE Electronic GmbH
Am Gansacker 10
79224 Umkirch
Postfach 1143, PLZ 79220
Tel: 49 7665 9855 0
Fax: 49 7665 9855 98

Future Electronics Deutschland
GmbH
Headquarter-D
Muenchner Strasse 18
85774 Unterfoehring
Tel: 49 89 9572 70
Fax: 49 89 9572 7205

Farnell Electronic Services
GmbH
Saphirweg 14
71665 Vaihingen
Tel: 49 7042 920 17
Fax: 49 7042 920 17

Farnell Electronic Services
GmbH
Finkenweg 7
38159 Vechede
Tel: 49 5302 840 112
Fax: 49 5302 840 112

Farnell Electronic Services
GmbH
Hansjakobweg 7
75045 Walzbachtal
Tel: 49 7203 5278
Fax: 49 7203 5278

Greece

P. Caritato & Associates S.A.
31 Ilia Iliou
Athens 11743
Tel: 30 1 9020 115
Fax: 30 1 9017 024

EBV Elektronik
1, Anaxagora Str.
17778 Tavros
Tel: 30 1 3414 300
Fax: 30 1 3414 304

Hungary

SPOERLE Elektronik
Vaci ut 45
1134 Budapest
Tel: 36 1 270 1333

Italy

Farnell Electronic Services
Viale Milanofiori, E/5
20094 Assago (Milano)
Tel: 39 2 8247 01
Fax: 39 2 8242 631

Sonelco S.P.A.
Via Monfalcone 15
20092 Cinisello Balsamo (MI)
Tel: 39 2 6602 61
Fax: 39 2 6601 1295

EBV Elektronik S.R.L.
Via C. Frova 34
20092 Cinisello Balsamo (Mil)
Tel: 39 2 6609 61
Fax: 39 2 6601 7020

Avnet EMG S.R.L.
Centro Direzionale-Via Nova-
ra 570
20153 Milano
Tel: 39 2 38103 100
Fax: 39 2 38002 988

Lasi Elettronica S.P.A.
Div.Della Silverstar Ltd.
Viale Fulvio Testi 280
20126 Milano
Tel: 39 2 6614 31
Fax: 39 2 6610 1385

Vector Electronic S.R.L.
Via Cialdini 37
20161 Milano
Tel: 39 2 6624 011
Fax: 39 2 6620 2851

CO. V. EL S.R.L.
(TFK only)
Via Vittorio Veneto 82
35013 Tombolo (PD)
Tel: 39 49 9470 970
Fax: 39 49 9471 018

Cecchi Gianni
Via F.LLI.Carli 32
50060 Molino Del Piano (FI)
Firenze
Tel: 39 55 8364 059
Fax: 39 55 8364 061

Netherlands

EBV Elektronik
Planetenbaan 2
3606 AK Maarssenbroek
Tel: 31 3465 623 53
Fax: 31 3465 642 77

SPOERLE Electronic
Coltbaan 17
3439 NG Nieuwegein
Tel: 31 3402 912 34
Fax: 31 3402 359 24

Farnell
Chroomstraat 28
2718 RH Zoetermeer
PB 345
Tel: 31 7961 3161
Fax: 31 7961 3169

SPOERLE Electronic
Eindhoven
De Run 1120
5503 LA Veldhoven
Tel: 31 402 545 430
Fax: 31 402 535 540

Norway

Jakob Hatteland Electronic AS
SEI
5578 Nedre Vats
Tel: 47 5376 3000
Fax: 47 5376 5339

Arrow-Tahonic AS
Sagveien 17
0404 Oslo
4554 Torshov
Tel: 47 22 3784 40
Fax: 47 22 3707 20

Farnell Electronic Services
Karihaugen 89
1001 Oslo
120 Foroset
Tel: 47 22 3212 70
Fax: 47 22 3251 20

Poland

Semicond S.C.
ul. Nateczowska 35
02-922 Warszawa
Tel: 48 22 651 9828
Fax: 48 22 651 9827

SPOERLE Elektroni
Polska Sp.z.o.o.
ul. Domaniewska 41
02-672 Warszawa
Tel: 48 22 6400 447
Fax: 48 22 6400 348

Portugal

ADM Electronica s/a
Sonepar Branch Office
En 107, No. 743, Arde-
gaes, Aguas Santas
4445 Ermesinde
Tel: 351 2 9736 957
Fax: 351 2 9736 958

Slovenia

EBV Elektronik
Dunajska 22/9
1511 Ljubljana
Tel: 386 61 1330 216
Fax: 386 61 1330 457

Spain

EBV Elektronik
Calle Paris, 71
08029 Barcelona
Tel: 34 93 4108 533
Fax: 34 93 4190 825

EBV Elektronik
Calle Maria Tubau 6
28049 Madrid
Tel: 34 1 3588 608
Fax: 34 1 3589 430

SEI/ADM electronica s/a
Head Office
Tomas Breton, 50 30 2
28045 Madrid
Tel: 34 1 5304 121
Fax: 34 1 5300 164

EBV Elektronik
Centro Empresarial Euronova
Ronda de Poniente 4
28760 Tres Cantos Madrid
Tel: 34 1 8043 256
Fax: 34 1 8044 103

Sweden

Farnell Electronic Services
Ankdammsgatan 32
17126 Solna
Box 1330
Tel: 46 8 8300 20
Fax: 46 8 2713 03

Arrow - TH's AB
Arrendevägen 36
16303 Spanga
Box 3027
Tel: 46 8 3629 70
Fax: 46 8 7613 065

SEI/Hatteland
Gunnegatan 30
16303 Spanga
Box 3009
Tel: 46 8 7600 140
Fax: 46 8 3646 86

Switzerland

EBV Elektronik
Vorstadtstrasse 37
8953 Dietikon
Tel: 41 1 745 6161
Fax: 41 1 741 5110

EBV Elektronik
10 Passage St. Francois
1003 Lausanne
Tel: 41 21 3112 804
Fax: 41 21 3112 807

SPOERLE Electronic
En Chamard
1442 Montagny p/-Yverdon
Tel: 41 24 270 100
Fax: 41 24 245 245

Fabrimex Spoerle
Cherstrasse 4
8152 Opfikon-Glattbrugg
Tel: 41 1 8746 262
Fax: 41 1 8746 200

Farnell Electronic Services
Brandschenkestrasse 178
8027 Zuerich
Tel: 41 1 2046 111
Fax: 41 1 2046 311

United Kingdom

Micromark Electronics Ltd.
Maidenhead
159 Boyn Valley Road
Berkshire SL6 4EG
Tel: 44 1628 7617 6
Fax: 44 1628 7837 99

Eltek Semiconductors
Nelson Road Industrial Estate
Dartmouth, Devon TQ6 9LA
Tel: 44 803 834 455
Fax: 44 803 833 011

Farnell Electronic Services
Edinburgh Way
Harlow, Essex, CM20 2DF
Tel: 44 1279 626 777
Fax: 44 1279 441 687

Farnell Electronic Components
Armley Road
Leeds, West Yorkshire, LS12
2QQ
Tel: 44 0113 2790 101
Fax: 44 0113 2633 404

Abacus Polar
Cherrycourt Way
Leighton Buzzard
Bedfordshire LU7 8YY
Tel: 44 1525 5850 00
Fax: 44 1525 8580 01

Future Electronics Ltd.
Headquarter-UK
Future House, Poyle Road
Colnbrook
Berkshire SL3 0EZ
Tel: 44 1753 6870 0
Fax: 44 1753 6891 00

Macro Group
Burnham Lane
Slough
Berkshire SL1 6LN
Tel: 44 1628 6043 83
Fax: 44 1628 6668 73

Eurodis HB Electronics
Lever Street
Bolton
BL3 6BJ
Tel: 44 1204 555 000
Fax: 44 1204 384 911

EBV Electronics
4/5 Market Square
Marlow
Buckinghamshire
Tel: 44 1438 4887 11
Fax: 44 1438 4887 22

2001
Stevenage Business Park, Pin
Green
Stevenage
Hertfordshire SG1 4SU
Tel: 44 1438 7420 01
Fax: 44 1438 7420 02

Africa / Middle East

Rep. of South Africa

Electrolink (PTY) Ltd.
Fleetway House
Martin Hammerschlag Way
Cape Town 8000
P.O. Box 1020
Tel: 27 21 2153 50
Fax: 27 21 4196 256

Israel

Tritech Ltd.
Ind. Zone
4, Hayetzira Street
P.O. Box 2436
Tel: 972 9 917 277
Fax: 972 9 982 616

Turkey

EBV Elektronik
Perdemsac Plaza
Bayar Cad.Gulbahar Sok.No
17
K:13, D:131-132 Kozyatagi
Istanbul
Tel: 90 216 463 1352
Fax: 90 216 463 1355

EMPA

Besyol Lowdra Asfalti
Florya Is Merkezi No.5,Kat:3
34630 Sefaköy-Istanbul
Tel: 90 212 599 3050
Fax: 90 212 599 3059

North America / Canada

USA

Alabama

All American
4950 Corporate Dr., Ste.115D
Huntsville
Alabama 35816
Tel: 1 205 837 1555
Fax: 1 205 837 7733

Anthem Electronics
4920-H Corporate Drive
Huntsville
Alabama 35805
Tel: 1 205 890 0302
Fax: 1 205 890 0130

Future Electronics Corp.
1825 University Square, Ste.12
Huntsville
Alabama 35816
Tel: 1 205 830 2322
Fax: 1 205 830 6664

Hamilton/Hallmark-#23
4890 University Square, Ste.1
Huntsville
Alabama 35816
Tel: 1 205 837 8700
Fax: 1 205 830 8404

Marshall Industries
3313 Memorial Pkwy. South,
Ste.150
Huntsville
Alabama 35801
Tel: 1 205 881 9235
Fax: 1 205 881 1490

Pioneer Tech.
4835 University Square, Ste.5
Huntsville
Alabama 35816
Tel: 1 205 837 9300
Fax: 1 205 837 9358

Arizona

Future Electronics Corp.
4636 East University Drive,
Ste.245
Phoenix
Arizona 85034
Tel: 1 602 968 7140
Fax: 1 602 968 0334

Marshall Industries
9831 South 51st Street,
Ste.C108
Phoenix
Arizona 85044
Tel: 1 602 496 0290
Fax: 1 602 893 9029

Pioneer-Standard Electronics
4908 E. McDowell Rd.,Ste.103
Phoenix
Arizona 85008
Tel: 1 602 231 6400
Fax: 1 602 231 8877

Bell Industries
10611 N. Hayden Rd.
Scottsdale
Arizona 85260
Tel: 1 602 905 2355
Fax: 1 602 905 2356

Anthem Electronics
1555 West 10th Place, Ste.101
Tempe
Arizona 85281
Tel: 1 602 966 6600
Fax: 1 602 966 4826

Hamilton/Hallmark
1626 South Edward Drive
Tempe
Arizona 85281
Tel: 1 800 332 8638
Fax: 1 800 257 0568

California

Future Electronics Corp.
27489 West Agoura Road,
Ste.300
Agoura Hills
California 91301
Tel: 1 818 865 0040
Fax: 1 818 865 1340

Pioneer Std.
5126 Clareton Drive, Ste.160
Agoura Hills
California 91301
Tel: 1 818 865 580
Fax: 1 818 865 5814

All American
26010 Mureau Rd., Ste.120
Calabasas
California 91302
Tel: 1 818 878 0555
Fax: 1 818 878 1603

Marshall Industries
26637 Agoura Road
Calabasas
California 91302-1959
Tel: 1 818 878 7000
Fax: 1 818 880 6846

Anthem Electronics
9131 Oakdale Avenue
Chatsworth
California 91311
Tel: 1 818 775 1333
Fax: 1 818 775 1302

Hamilton Corporate
10950 West Washington Blvd.
Culver City
California 90230
Tel: 1 310 558 2000
Fax: 1 310 558 2076

All American
10805 Holder Str., Ste.100
Cypress
California 90630
Tel: 1 714 229 8600
Fax: 1 714 229 8300

Marshall Corporate
9320 Telstar Avenue
El Monte
California 91731
Tel: 1 818 307 6000
Fax: 1 818 307 6297

Anthem Electronics
1 Oldfield Drive
Irvine
California 92718-2809
Tel: 1 714 768 4444
Fax: 1 714 768 6456

Distributors

Bell Industries
220 Technology Drive, Ste.100
Irvine
California 92718
Tel: 1 714 727 4500
Fax: 1 714 453 4610

Future Electronics Corp.
25B Technology Drive, Ste.200
Irvine
California 92718
Tel: 1 714 453 1515
Fax: 1 714 453 1226

Hamilton/Hallmark
140 Technology DR #400
Irvine
California 92718-2401
Tel: 1 714 789 4102
Fax: 1 714 789 4122

Marshall Industries
1 Morgan
Irvine
California 92718
Tel: 1 714 859 5050
Fax: 1 714 581 5255

Pioneer Std.
217 Technology Drive, Ste.110
Irvine
California 92718
Tel: 1 714 753 5090
Fax: 1 714 753 5589

Zeus Electronics
6 Cromwell, Ste.100
Irvine
California 92718
Tel: 1 714 581 4622
Fax: 1 714 454 4355

Bell Industries Corporate
11812 San Vincente
Blvd.,Ste.300
Los Angeles
California 90049
Tel: 1 310 826 2355
Fax: 1 310 826 1534

Marshall Industries
336 Los Coches Street
Milpitas
California 95035
Tel: 1 408 942 4600
Fax: 1 408 262 1224

Marshall Industries
3039 Kilgore Avenue, Ste.140
Rancho Cordova
California 95670
Tel: 1 916 635 9700
Fax: 1 916 635 6044

JAN Devices
6925 Canby, Bldg. 109
Reseda
California 91335
Tel: 1 818 757 2000
Fax: 1 818 708 743

Anthem Electronics
580 Menlo Drive, Ste.8
Rocklin
California 95765
Tel: 1 916 624 9744
Fax: 1 916 624 9750

Hamilton/Hallmark-#35
580 Menlo Drive, Ste.2
Rocklin
California 95765
Tel: 1 916 624 9781
Fax: 1 916 961 0922

Bell Industries
3001 Douglas Boulevard,
Suite#205
Roseville
California 95661
Tel: 1 916 781 8070
Fax: 1 916 781 2954

Future Electronics Corp.
755 Sunrise Avenue, Ste.150
Roseville
California 95661
Tel: 1 916 783 7877
Fax: 1 916 783 7988

All American
6390 Greenwich Dr., Ste.170
San Diego
California 92122
Tel: 1 619 658 0200
Fax: 1 619 658 0201

All American Semiconductor
5625 Ruffin Road, Ste.200
San Diego
California 92123
Tel: 1 619 268 1505
Fax: 1 619 268 3836

Anthem Electronics
9369 Carroll Park Drive
San Diego
California 92121
Tel: 1 619 453 9005
Fax: 1 619 546 7893

Bell Industries
5520 Ruffin Road, Ste.209
San Diego
California 92123
Tel: 1 619 576 3924
Fax: 1 619 492 9826

Future Electronics Corp.
5151 Shoreham Place, Ste.220
San Diego
California 92122
Tel: 1 619 625 2800
Fax: 1 619 625 2810

Hamilton/Hallmark-#02
4545 Viewridge Avenue
San Diego
California 92123
Tel: 1 619 571 7540
Fax: 1 619 277 6136

Marshall Industries
5961 Kearny Villa Road
San Diego
California 92123
Tel: 1 619 627 4140
Fax: 1 619 627 4163

Pioneer
9449 Balboa Ave., Ste.114
San Diego
California 92123
Tel: 1 619 514 7700
Fax: 1 619 514 7799

All American
230 Devcon Drive
San Jose
California 95112
Tel: 1 408 441 1300
Fax: 1 408 437 8984

All American Semiconductor
230 Devcon Dr.
San Jose
California 95112
Tel: 1 408 437 4624
Fax: 1 408 943 1393

Anthem Electronics
1160 Ridder Park Drive
San Jose
California 95131
Tel: 1 408 453 1200
Fax: 1 408 441 4504

Future Electronics Corp.
2220 O'Toole Avenue
San Jose
California 95131-1326
Tel: 1 408 434 1122
Fax: 1 408 433 0822

Hamilton/Hallmark-#03
2105 Lundy Avenue
San Jose
California 95131
Tel: 1 408 435 3500
Fax: 1 408 435 3720

Pioneer Tech.
333 River Oaks Parkway
San Jose
California 95134
Tel: 1 408 954 9100
Fax: 1 408 954 9113

Zeus Electronics
6276 San Ignacio Avenue,
Ste.E
San Jose
California 95119
Tel: 1 408 629 4789
Fax: 1 408 629 4792

Taitron
25202 Anza Drive
Santa Clarita
California 91355-3496
Tel: 1 805 257 6060
Fax: 1 805 257 6415

Bell Industries
1161 North Fair Oaks Avenue
Sunnyvale
California 94089
Tel: 1 408 734 8570
Fax: 1 408 734 8875

All American Semiconductor
369 Van Ness Way, Ste.701
Torrance
California 90501
Tel: 1 310 320 0240
Fax: 1 310 320 2707

Bell Industries
125 Auburn Court
Westlake Village
California 91362
Tel: 1 805 373 5600
Fax: 1 805 496 7340

Hamilton/Avnet-#48/01
21150 Califa Street
Woodland Hills
California 91367
Tel: 1 818 594 0404
Fax: 1 818 594 8234

Colorado

Marshall Industries
4680 Edison, Ste.D
Colorado Springs
Colorado 80915
Tel: 1 719 573 0904
Fax: 1 719 573 0103

Pioneer
5600 Green Wood Plaza Blvd.,
Ste.201
Denver
Colorado
Tel: 1 303 773 8090
Fax: 1 303 773 8194

Anthem Electronics
373 Inverness Drive South
Englewood
Colorado 80112
Tel: 1 303 790 4500
Fax: 1 303 790 4532

Hamilton/Hallmark-#06
12503 East Euclid Drive,
Ste.20
Englewood
Colorado 80111
Tel: 1 303 799 7800
Fax: 1 303 790 4991

Future Electronics Corp.
12600 West Colfax Avenue,
Ste.B110
Lakewood
Colorado 80215
Tel: 1 303 232 2008
Fax: 1 303 232 2009

Bell Industries
9351 Grant Street, Ste.460
Thornton
Colorado 80229
Tel: 1 303 691 9270
Fax: 1 303 691 9036

Marshall Industries
12351 North Grant Street,
Ste.A
Thornton
Colorado 80241
Tel: 1 303 451 8444
Fax: 1 303 457 2899

Added Value/All American
4090 Youngfield Street
Wheat Ridge
Colorado 80033
Tel: 1 303 422 1701
Fax: 1 303 422 2529

Connecticut

Future Electronics Corp.
Westgate Office Center
700 West Johnson Avenue
Cheshire
Connecticut 06410
Tel: 1 203 250 0083
Fax: 1 203 250 0081

Hamilton/Hallmark-#21
125 Commerce Court, Unit 6
Cheshire
Connecticut 06410
Tel: 1 203 271 2844
Fax: 1 203 272 1704

All American
100 Mill Plain Road, Ste.360
Danbury
Connecticut 06811
Tel: 1 203 791 3818

Bell Industries
1064 East Main Street
Meriden
Connecticut 06413
Tel: 1 203 639 6000
Fax: 1 203 639 6005

Pioneer Std.
2 Trap Falls Road
Shelton
Connecticut 06484
Tel: 1 203 929 5600
Fax: 1 203 929 9791

Marshall Industries
Barnes Industrial Park
20 Sterling Drive
Wallingford
Connecticut 06492
Tel: 1 203 265 3822
Fax: 1 203 284 9285

Anthem Electronics
61 Mattatuck Heights Road
Waterbury, CT 06705
Connecticut 06705
Tel: 1 203 575 1575
Fax: 1 203 575 3232

Florida

Future Electronics Corp.
237 S. Westmonte Dr., Ste.307
Altamonte Spring
Florida 32714
Tel: 1 407 865 7900
Fax: 1 407 865 7660

Anthem Electronics
598 South Northlake
Blvd.#1024
Altamonte Springs
Florida 32701
Tel: 1 407 831 0007
Fax: 1 407 831 6990

Bell Industries
650 South Northlake Blvd.,
Ste.400
Altamonte Springs
Florida 32701
Tel: 1 407 339 0078
Fax: 1 407 339 0139

Marshall Industries
650 South Northlake Blvd.,
Ste.1024
Altamonte Springs
Florida 32701
Tel: 1 407 767 8585
Fax: 1 407 767 8676

All American
14450 46th St., No. Ste.116
Clearwater
Florida 34622
Tel: 1 813 532 9800
Fax: 1 813 538 5567

Anthem Electronics
13575 58th St.N.Ste.122
Clearwater
Florida 34620
Tel: 1 813 538 4157
Fax: 1 813 538 4158

All American Semiconductor
1400 East Newport Center
Dr.Ste.205
Deerfield Beach
Florida 33442
Fax: 1 954 429 0391

Future Electronics Corp.
1400 E. Newport Center
Dr.,Ste.200
Deerfield Beach
Florida 33442
Tel: 1 305 426 4043
Fax: 1 305 426 3939

Pioneer Tech.
674 South Military Trail
Deerfield Beach
Florida 33442
Tel: 1 305 428 8877
Fax: 1 305 481 2950

Anthem Electronics
5450 N.W. 33Rd Ave.,Ste.101
Fort Lauderdale
Florida 33309
Tel: 1 305 484 0990
Fax: 1 305 484 0951

Hamilton/Hallmark-#17
3350 North West 53rd Avenue,
Ste.105
Fort Lauderdale
Florida 33309
Tel: 1 305 484 5482
Fax: 1 305 484 4740

Marshall Industries
2700 West Cypress Creek
Road, Ste.D114
Fort Lauderdale
Florida 33309
Tel: 1 305 977 4880
Fax: 1 305 977 4887

Zeus Components
37 Skyline Drive, Bldg. D,
Ste.3101
Lake Mary
Florida 32746
Tel: 1 407 333 3055
Fax: 1 407 333 9681

Future Electronics Corp.
2200 Tall Pines Drive, Ste.108
Largo
Florida 34641
Tel: 1 813 530 1222
Fax: 1 813 538 9598

Hamilton/Hallmark-#25
10491 77th Street North
Largo
Florida 34647
Tel: 1 813 541 7440
Fax: 1 813 544 4394

All American Semiconductor
16085 N.W. 52nd Avenue
Miami
Florida 33014
Tel: 1 305 621 8282
Fax: 1 305 620 7831

Marshall Industries
2840 Scherer Drive, Ste.410
St. Petersburg
Florida 33716
Tel: 1 813 573 1399
Fax: 1 813 573 0069

Future Electronics Corp.
1435 Market Street
Tallahassee
Florida 32312
Tel: 1 904 668 7772
Fax: 1 904 668 0856

Reptron
(TFK only)
14401 McCormick Drive
Tampa
Florida
Tel: 1 813 854 2351
Fax: 1 813 854 1324

Georgia

Anthem Electronics
3305 Breckinridge, Ste.108
Duluth
Georgia 30136
Tel: 1 770 931 3900
Fax: 1 770 931 3902

Hamilton/Hallmark-#76
3425 Corporate Way, Ste.A
Duluth
Georgia 30136
Tel: 1 404 623 4400
Fax: 1 404 476 3043

Pioneer Std.
4250C Rivergreen Pkwy.
Duluth
Georgia 30136
Tel: 1 770 623 1003
Fax: 1 770 623 0665

All American
6875 Jimmy Carter
Blvd.,Ste.3100
Norcross
Georgia 30071
Tel: 1 770 441 7500
Fax: 1 770 441 3660

Bell Industries
3020 Business Park Drive,
Ste.D
Norcross
Georgia 30071
Tel: 1 404 446 7167
Fax: 1 404 446 7264

Future Electronics Corp.
3150 Holcomb Bridge Road,
Ste.130
Norcross
Georgia 30071
Tel: 1 404 441 7676
Fax: 1 404 441 7580

Marshall Industries
5300 Oakbrook Pkwy., Ste.140
Norcross
Georgia 30093
Tel: 1 404 923 5750
Fax: 1 404 923 2743

Future Electronics Corp.
12438 W. Bridgen Street
Boise
Idaho 83713
Tel: 1 208 376 8080
Fax: 1 208 376 6168

Idaho

QuadRep Crown, Inc. #010
10451 W. Garverdale, Ste.209
Boise
Idaho 83704
Tel: 1 208 375 9868
Fax: 1 208 323 9386

Illinois

Pioneer Std.
2171 Executive Drive, Ste.200
Addison
Illinois 60101
Tel: 1 708 495 9680
Fax: 1 708 495 9831

Hamilton/Hallmark-#10
3030 Salt Creek Lane, Ste.300
Arlington Heights
Illinois 60005
Tel: 1 708 797 7361
Fax: 1 708 797 7724

Bell Industries
870 Cambridge Drive
Elk Grove Village, IL 60007
Illinois 60007
Tel: 1 708 640 1910
Fax: 1 708 640 1928

Future Electronics Corp.
3150 West Higgins Road,
Ste.160
Hoffman Estates
Illinois 60195
Tel: 1 708 882 1255
Fax: 1 708 490 9290

Victory Sales #067
405 N. Calhoun Road, Ste.208
Hoffman Estates
Illinois 60195
Tel: 1 708 490 0300
Fax: 1 708 490 1499

All American
1989 University Lane
Lisle
Illinois 60532
Tel: 1 708 852 7708
Fax: 1 708 852 7791

Zeus Electronics
1140 West Thorndale Avenue
Itasca
Illinois 60143
Tel: 1 708 595 9730
Fax: 1 708 595 9896

All American
1930 N. Thoreau Dr., Ste.200
Schaumburg
Illinois 60173
Tel: 1 708 303 1995
Fax: 1 708 303 1996

Anthem Electronics
1300 Remington Road,Ste.A
Schaumburg
Illinois 60173
Tel: 1 708 884 0200
Fax: 1 708 884 0480

Marshall Industries
50 East Commerce Drive, Unit
I
Schaumburg
Illinois 60173
Tel: 1 708 490 0155
Fax: 1 708 490 0569

Indiana

Hamilton Hallmark-#28
655 W. Carmel Drive, Ste.160
Carmel
Indiana 46032-2500
Tel: 1 317 872 8875
Fax: 1 317 876 7165

Bell Industries
525 Airport North Office Park
Fort Wayne
Indiana 46803
Tel: 1 219 422 4300
Fax: 1 219 423 3420

Bell Industries
5230 West 79th Street
Indianapolis
P.O. Box 6885
Indiana 46268
Tel: 1 317 875 8200
Fax: 1 317 875 8219

Future Electronics Corp.
8425 Woodfield Crossing
Indianapolis
Indiana 46240
Tel: 1 317 469 0447
Fax: 1 317 469 0448

Marshall Industries
6990 Corporate Drive
Indianapolis
Indiana 46278
Tel: 1 317 388 9069
Fax: 1 317 297 2787

Pioneer Std.
9350 North Priority Way West
Drive
Indianapolis
Indiana 46240
Tel: 1 317 573 0880
Fax: 1 317 573 0979

Iowa

Hamilton/Hallmark-#44
2335-A Blairsferry North East
Cedar Rapids
Iowa 52402
Tel: 1 319 393 0033
Fax: 1 319 393 7050

Kansas

Anthem Electronics
13820 Santa Fee Trail
Drive,Ste.109
Lenexa
Kansas 66215
Tel: 1 913 599 1528
Fax: 1 913 599 1325

Marshall Industries
10413 West 84th Terrace
Lenexa
Kansas 66214
Tel: 1 913 492 3121
Fax: 1 913 492 6205

Future Electronics Corp.
8826 Santa Fee Drive, Ste.150
Overland Park
Kansas 66212
Tel: 1 913 649 1531
Fax: 1 913 649 1786

Hamilton/Hallmark-#58
9200 Indian Greek
Pkwy,Ste.200
Overland Park
Kansas 66210
Tel: 1 913 663 7900
Fax: 1 913 663 7979

Kentucky

Hamilton/Hallmark
1847 Mercer Road, Ste.G
Lexington
Kentucky 40511-1001
Tel: 1 606 259 1475
Fax: 1 606 288 4936

Maryland

All American
14636 Rothgeb Drive
Rockville
Maryland 20850
Tel: 1 301 251 1205
Fax: 1 301 251 8574

Anthem Electronics
7168A Columbia Gateway
Drive
Columbia
Maryland 21046
Tel: 1 410 995 6640
Fax: 1 410 290 9862

Bell Industries
8945 Guilford Road, Ste.130
Columbia
Maryland 21046
Tel: 1 410 290 5100
Fax: 1 410 290 8006

Future Electronics Corp.
6716 Alexander Bell Drive,
Ste.101
Columbia
Maryland 21046
Tel: 1 410 290 0600
Fax: 1 410 290 0328

Hamilton/Hallmark-#12
71347 Gateway Drive, Ste.100
Columbia
Maryland 21045
Tel: 1 410 720 3400
Fax: 1 410 720 3434

Marshall Industries
9130B Guilford Road
Columbia
Maryland 21046
Tel: 1 410 880 3030
Fax: 1 410 880 3232

Pioneer Tech.
15810 Gaither Drive
Gaithersburg
Maryland 20877
Tel: 1 301 921 3826
Fax: 1 301 921 3858

Pioneer Tech.
9100 Gaither Road
Gaithersburg
Maryland 20877
Tel: 1 301 921 0660
Fax: 1 301 921 4255

All American Semiconductor
14636 Rothgeb Drive
Rockville
Maryland 20850
Tel: 1 301 251 1205
Fax: 1 301 251 8754

Massachusetts

Bell Industries
100 Burt Road, Ste.106
Andover
Massachusetts 01810
Tel: 1 508 474 8880
Fax: 1 508 474 8902

All American
19A Crosby Drive
Bedford
Massachusetts 01730
Tel: 1 617 275 8888
Fax: 1 617 275 1982

Future Electronics Corp.
41 Main Street
Bolton
Massachusetts 01740
Tel: 1 508 779 3000
Fax: 1 508 779 5143

Pioneer Std.
44 Hartwell Avenue
Lexington
Massachusetts 02173
Tel: 1 617 861 9200
Fax: 1 617 863 1547

Hamilton/Hallmark-#18
10D Centennial Drive
Peabody
Massachusetts 01960
Tel: 1 508 532 3701
Fax: 1 508 532 9802

Anthem Electronics
200 Research Drive
Wilmington
Massachusetts 01887
Tel: 1 508 657 5170
Fax: 1 508 657 6008

Marshall Industries
33 Upton Drive
Wilmington
Massachusetts 01887
Tel: 1 508 658 0810
Fax: 1 508 657 5931

Zeus Electronics
25 Upton Drive
Wilmington
Massachusetts 01877
Tel: 1 508 658 4776
Fax: 1 508 694 2199

Michigan

Future Electronics Corp.
4505 Broadmoor South East
Grand Rapids
Michigan 49512
Tel: 1 616 698 6800
Fax: 1 616 698 6821

Anthem Electronics
39111 W.Six Mile Road,
Ste.160
Livonia
Michigan 48152
Tel: 1 313 591 3218
Fax: 1 313 591 6381

Future Electronics Corp.
Celeste Doerwald
35200 Schoolcraft Road,
Ste.106
Livonia
Michigan 48150
Tel: 1 313 261 5270
Fax: 1 313 261 8175

Marshall Industries
31067 Schoolcraft Road
Livonia
Michigan 48150
Tel: 1 313 525 5850
Fax: 1 313 525 5855

Hamilton Hallmark-#67
44191 Plymouth Oaks
Blvd.,Ste.1300
Plymouth
Michigan 48170-2585
Tel: 1 313 416 5800
Fax: 1 313 416 4106

Pioneer Std.
44190 Plymouth Oaks Drive
Plymouth
Michigan 48270
Tel: 1 313 416 2157
Fax: 1 313 416 2415

Pioneer Std.
4467 Byron Center Road
Wyoming
Michigan 49509
Tel: 1 616 534 0500
Fax: 1 616 534 3922

Minnesota

Hamilton/Hallmark-#63
9401 James Avenue South,
Ste.140
Bloomington
Minnesota 55341
Tel: 1 612 881 2600
Fax: 1 612 881 9461

Anthem Electronics
7690 Golden Triangle Drive
Eden Prairie
Minnesota 55344
Tel: 1 612 944 5454
Fax: 1 612 944 3045

Future Electronics Corp.
10025 Valley View Road,
Ste.196
Eden Prairie
Minnesota 55344
Tel: 1 612 944 2200
Fax: 1 612 944 2520

Pioneer Std.
7625 Golden Triangle Drive
Eden Prairie
Minnesota 55344
Tel: 1 612 944 3355
Fax: 1 612 944 3794

All American
7716 Golden Triangle Drive
Eden Prairie
Minnesota 55344
Tel: 1 612 944 2151
Fax: 1 612 944 9803

Marshall Industries
14800, 28th. Avenue North,
Ste.175
Minneapolis
Minnesota 55447
Tel: 1 612 559 2211
Fax: 1 612 559 8321

Missouri

Hamilton/Hallmark-#05
3783 Rider Trail South
Earth City
Missouri 63045
Tel: 1 314 291 5350
Fax: 1 314 770 6363

Marshall Industries
514 Earth City Expressway,
Ste.131
Earth City
Missouri 63045
Tel: 1 314 770 1749
Fax: 1 314 770 1486

Future Electronics Corp.
12125 Woodcrest Executive
Drive, Ste.220
St. Louis
Missouri 63141
Tel: 1 314 469 6805
Fax: 1 314 469 7226

New Hampshire

see Massachusetts

New Hampshire

see Massachusetts

New Jersey

Hamilton/Hallmark-#14
One Keystone Avenue
Cherry Hill
New Jersey 08003
Tel: 1 609 424 0100
Fax: 1 609 751 2509

Bell Industries
271 Route 46 West,
Ste.F202-203
Fairfield
New Jersey 07004
Tel: 1 201 227 6060
Fax: 1 201 227 2626

Marshall Industries
101 Fairfield Road
Fairfield
New Jersey 07006
Tel: 1 201 882 0320
Fax: 1 201 882 0095

Pioneer Std.
14 A Madison Road
Fairfield
New Jersey 07006
Tel: 1 201 575 3510
Fax: 1 201 575 3454

Future Electronics Corp.
12 East Stow Road, Ste.200,
Bldg. 12
Marlton
New Jersey 08053
Tel: 1 609 596 4080
Fax: 1 609 596 4266

Bell Industries
158 Gaither DR Ste.110
Mount Laurel
New Jersey 08054-1716
Tel: 1 609 439 8860
Fax: 1 609 439 9009

Marshall Industries
158 Gaither Drive, Unit 100
Mt. Laurel
New Jersey 08054
Tel: 1 609 234 9100
Fax: 1 609 778 1819

Future Electronics Corp.
1259 Route 46 East
Parsippany
New Jersey 07054
Tel: 1 201 299 0400
Fax: 1 201 299 1377

Anthem Electronics
26 Chapin Road
Pine Brook
New Jersey 07058
Tel: 1 201 227 7960
Fax: 1 201 227 9246

All American
245-D Clifton Avenue
West Berlin
New Jersey 08091
Tel: 1 609 768 6767
Fax: 1 609 768 3649

New Mexico

Hamilton/Hallmark-#22
NE-Bldg. 2, Ste.102
7801 Academy Road
Albuquerque
New Mexico 87109-3147
Tel: 1 505 345 0001
Fax: 1 505 828 0360

New York

Pioneer Std.
1249 Upper Front Street,
Ste.201

Binghamton
New York 13901
Tel: 1 607 722 9300
Fax: 1 607 722 9562

Marshall Industries
100 Marshall Drive
Endicott
New York 13760
Tel: 1 607 785 2345
Fax: 1 607 785 5546

Pioneer Std.
840 Fairport Park
Fairport
New York 14450
Tel: 1 716 381 7070
Fax: 1 716 381 5955

All American
275B Marcus Boulevard
Hauppauge
New York 11788
Tel: 1 516 434 9000
Fax: 1 516 434 9394

Future Electronics Corp.
801 Motor Parkway
Hauppauge
New York 11788
Tel: 1 516 234 4000
Fax: 1 516 234 6183

Hamilton Hallmark-#20
390 Rabro Dr.
Hauppauge
New York 11788
Tel: 1 516 434 7470
Fax: 1 516 434 7491

Zeus Electronics
100 Midland Avenue
Port Chester
New York 10573
Tel: 1 914 937 7400
Fax: 1 914 937 2553

All American
333 Metro Park
Rochester
New York 14623
Tel: 1 716 292 6700
Fax: 1 716 292 6755

Future Electronics Corp.
300 Linden Oaks
Rochester
New York 14620
Tel: 1 716 387 9550
Fax: 1 716 387 9563

Hamilton/Hallmark-#61
1057 East Henrietta Road
Rochester
New York 14623
Tel: 1 716 475 9130
Fax: 1 716 475 9119

Marshall Industries
1250 Scottsville Road
Rochester
New York 14624
Tel: 1 716 235 7620
Fax: 1 716 235 0052

Marshall Industries
3505 Veterans Memorial HWY
Ste L
Ronkonkoma
New York 11779-7613
Tel: 1

Future Electronics Corp.
200 Salina Meadows Pkwy.,
Ste.130
Syracuse
New York 13212-4513
Tel: 1 315 451 2371
Fax: 1 315 451 7258

Hamilton/Hallmark-#08
100 Elwood Davis Road
Syracuse
New York 13212
Tel: 1 315 453 4000
Fax: 1 315 453 4010

Pioneer Std.
60 Crossways Park West
Woodbury
New York 11797
Tel: 1 516 921 8700
Fax: 1 516 921 2143

North Carolina

Future Electronics Corp.
8401 University Executive
Park, Ste.108
Charlotte
North Carolina 28262
Tel: 1 704 547 1107
Fax: 1 704 547 9650

Future Electronics Corp.
Smith Tower, Ste. 314
Charlotte Motor Speedway
Concord
P.O. Box 600
North Carolina 28026
Tel: 1 704 455 9030
Fax: 1 704 455 9173

Pioneer Tech.
2200 Gateway Center Blvd.,
Ste.215
Morrisville
North Carolina 27560
Tel: 1 919 460 1530
Fax: 1 919 460 1540

Anthem Electronics
4805 Green Road, Ste.100
Raleigh
North Carolina 27604
Tel: 1 919 871 6200
Fax: 1 919 790 8970

Future Electronics Corp.
5225 Capitol
Raleigh
North Carolina 27604
Tel: 1 919 790 7111
Fax: 1 919 790 9022

Hamilton/Hallmark
5234 Greens Dairy Road
Raleigh
North Carolina 27604
Tel: 1 919 872 0712
Fax: 1 919 878 8729

Marshall Industries
5224 Greens Dairy Road
Raleigh
North Carolina 27604
Tel: 1 919 878 9882
Fax: 1 919 872 2431

Ohio

Future Electronics Corp.
1430 Oak Court, Ste.203
Beavercreek
Ohio 45430
Tel: 1 513 426 0090
Fax: 1 513 426 8490

Pioneer Std.
4800 East 131st Street
Cleveland
Ohio 44105
Tel: 1 216 587 3600
Fax: 1 216 587 3906

Bell Industries
446 Windsor Park Drive
Dayton
Ohio 45459
Tel: 1 513 434 8231
Fax: 1 513 434 8103

Hamilton/Hallmark-#64
7760 Washington Village Drive
Dayton
Ohio 45459
Tel: 1 513 439 6721
Fax: 1 513 439 6705

Marshall Industries
3520 Park Center Drive
Dayton
Ohio 45414
Tel: 1 513 898 4480
Fax: 1 513 898 9835

Pioneer Std.
4433 Interpoint Blvd.
Dayton
Ohio 45424
Tel: 1 513 236 9900
Fax: 1 513 236 8133

Zeus Components
8200 Washington Village Drive
Dayton
Ohio 45458
Tel: 1 513 291 0276
Fax: 1 513 291 9060

Future Electronics Corp.
6009 East Lander Haven Drive
Maryfield Heights
Ohio 44124
Tel: 1 216 449 6996
Fax: 1 216 449 8987

Marshall Industries
30700 Bainbridge Road Unit A
Solon
Ohio 44139
Tel: 1 216 248 1788
Fax: 1 216 248 2312

Anthem Electronics
1286 Vantage Way
Streetsboro
Ohio 44241
Tel: 1 800 359 3520
Fax: 1 216 626 5001

Hamilton/Hallmark-#79
777 Dearboran Lane, Ste.L
Worthington
Ohio 43085
Tel: 1 614 888 3313
Fax: 1 614 888 0767

Oklahoma

Hamilton/Hallmark
5411 South 125th East Avenue,
Ste.305
Tulsa
Oklahoma 74146
Tel: 1 918 252 7297
Fax: 1 918 254 6207

Pioneer Std.
9717 East 42nd Street, Ste.105
Tulsa
Oklahoma 74146
Tel: 1 918 665 7840
Fax: 1 918 665 1891

Oregon

All American
1815 NW 169th Pl., Ste.6025
Beaverton
Oregon 97006
Tel: 1 503 531 3333
Fax: 1 503 531 3695

Bell Industries
8705 SW Nimbus, Ste.100
Beaverton
Oregon 97008
Tel: 1 503 644 3444
Fax: 1 503 520 1948

Future Electronics Corp.
Cornell Oaks Corp. Center
15236 North West Greenbrier
Beaverton
Oregon 97006
Tel: 1 503 645 9454
Fax: 1 503 645 1559

Hamilton/Hallmark-#27
9750 South West Nimbus Ave.
Beaverton
Oregon 97005
Tel: 1 503 526 6200
Fax: 1 503 641 5939

Marshall Industries
9705 South West Gemini
Beaverton
Oregon 97005
Tel: 1 503 644 5050
Fax: 1 503 646 8256

Pioneer Tech.
8905 S.W. Gemini Drive
Beaverton
Oregon 97008
Tel: 1 503 626 7300
Fax: 1 503 626 5300

Anthem Electronics
15115 S.W. Sequoia, Ste.160
Portland
Oregon 97226
Tel: 1 503 598 9660
Fax: 1 503 598 7893

Pennsylvania

Anthem Electronics
355 Business Center Drive
Horsham
Pennsylvania 19044
Tel: 1 215 443 5150
Fax: 1 215 675 9875

Pioneer Tech.
Keith Valley Business Center
500 Enterprise Road
Horsham
Pennsylvania 19044
Tel: 1 215 674 4000
Fax: 1 215 674 3107

Pioneer Std.
259 Kappa Drive
Pittsburgh
Pennsylvania 15238
Tel: 1 412 782 2300
Fax: 1 412 963 8255

Texas

All American
6400 McNeil Road, Ste.203
Austin
Texas 78729
Tel: 1 512 335 2280
Fax: 1 512 335 2282

Anthem Electronics
14040 Summit Park Drive,
Ste.119
Austin
Texas 78728
Tel: 1 512 388 0049
Fax: 1 512 388 0271

Future Electronics Corp.
6850 Austin Center Blvd.
Ste.320
Austin
Texas 78731
Tel: 1 512 502 0991
Fax: 1 512 502 0740

Hamilton/Hallmark-#26
12211 Technology Blvd.
Austin
Texas 78727
Tel: 1 512 258 8848
Fax: 1 512 258 3777

Marshall Industries
8504 Cross Park Drive
Austin
Texas 78727
Tel: 1 512 837 1991
Fax: 1 512 832 8910

Pioneer Std.
1826 D Kramer Lane
Austin
Texas 78758
Tel: 1 512 835 4000
Fax: 1 512 835 9829

Zeus Electronics
3220 Commander Drive
Carrollton
Texas 75006
Tel: 1 214 380 4330
Fax: 1 214 447 2222

Hamilton Hallmark
11333 Pagemill Rd
Dallas
Texas 75243
Tel: 1 214 553 6800
Fax: 1 214 553 4359

Pioneer Std.
13765 Beta Road
Dallas
Texas 75244
Tel: 1 214 386 7300
Fax: 1 214 490 6419

All American
11210 Steeplecrest, Ste.206
Houston
Texas 77065
Tel: 1 713 955 1993
Fax: 1 713 955 2215

Hamilton/Hallmark-#11
8000 West Glenn
Houston
Texas 77063
Tel: 1 713 781 6100
Fax: 1 713 953 8420

Marshall Industries
10681 Haddington, Ste.160
Houston
Texas 77043
Tel: 1 713 467 1666
Fax: 1 713 467 9805

Distributors

Pioneer Std.
10530 Rockley Road, Ste.100
Houston
Texas 77099
Tel: 1 713 495 4700
Fax: 1 713 495 5642

Future Electronics Corp.
10333 Richmond Avenue,
Ste.970
Houston, TX 77042
Texas 77042
Tel: 1 800 785 1156
Fax: 1 713 785 4558

All American
1771 International Parkway,
Ste.101
Richardson
Texas 75081
Tel: 1 214 231 5300
Fax: 1 214 437 0353

All American Semiconductor
1771 International Parkway,
Ste.101
Richardson
Texas 75081
Tel: 1 214 231 7100
Fax: 1 214 437 0353

Anthem Electronics
651 N. Plano Road, Ste.401
Richardson
Texas 75081
Tel: 1 214 238 7100
Fax: 1 214 238 0237

Bell Industries
1701 Greenville Avenue,
Ste.306
Richardson
Texas 75081
Tel: 1 214 458 0047
Fax: 1 214 404 0267

Future Electronics Corp.
800 East Cambell
Richardson
Texas 75081
Tel: 1 214 437 2437
Fax: 1 214 669 2347

Marshall Industries
1551 North Glenville Drive
Richardson
Texas 75081
Tel: 1 214 705 0604
Fax: 1 214 705 0675

Future Electronics Corp.
6800 Park Ten Blvd.,
Ste.137-E
San Antonio
Texas 78213
Tel: 1 210 738 3330
Fax: 1 210 738 0511

Utah

Bell Industries
6912 South 185 West, Ste.B
Midvale
Utah 84047
Tel: 1 801 561 9691
Fax: 1 801 255 2477

All American
4455 South 700 East, Ste.301
Salt Lake City
Utah 84107
Tel: 1 801 261 4210
Fax: 1 801 261 3885

Anthem Electronics
1279 West 2200 South
Salt Lake City
Utah 84119
Tel: 1 801 973 8555
Fax: 1 801 973 8909

Future Electronics Corp.
3450 South Highland Drive,
Ste.301
Salt Lake City
Utah 84106
Tel: 1 801 467 4448
Fax: 1 801 467 3604

Hamilton/Hallmark-#09
1100 East 6600 South, Ste.120
Salt Lake City
Utah 84121
Tel: 1 801 266 2022
Fax: 1 801 263 0104

Marshall Electronics
2355 S. 1070 West, Ste.10 D
Salt Lake City
Utah 84119-1552
Tel: 1 801 973 2288
Fax: 1 801 973 2296

Washington

Bell Industries
1715 114th Avenue, South East
208
Bellevue
Washington 98004
Tel: 1 206 646 8750
Fax: 1 206 646 8559

Pioneer Tech
2800 156th Avenue, South East
Bellevue
Washington 98007
Tel: 1 206 644 7500
Fax: 1 206 644 7300

Anthem Electronics
19017-120th Ave.Ne.Ste.102
Bothell
Washington 98011
Tel: 1 206 483 1700
Fax: 1 206 486 0571

Future Electronics Corp.
19102 N. Creek Pkwy., Ste.118
Bothell
Washington 98011
Tel: 1 206 489 3400
Fax: 1 206 489 3411

Marshall Industries
11715 N. Creek Pkwy., South,
Ste.112
Bothell
Washington 98011
Tel: 1 206 486 5747
Fax: 1 206 486 6964

Hamilton/Hallmark-#07
8630 154th Avenue, North East
Redmond
Washington 98052
Tel: 1 206 881 6697
Fax: 1 206 867 0159

Wisconsin

Future Electronics Corp.
250 N. Patrick Blvd., Ste.170
Brookfield
Wisconsin 53045
Tel: 1 414 879 0244
Fax: 1 414 879 0250

Pioneer Std.
120 Bishops Way, Ste.163
Brookfield
Wisconsin 53005
Tel: 1 414 784 3480
Fax: 1 414 784 8207

Marsh Electronics, Inc.
1563 South 101st Street
Milwaukee
Wisconsin 53214
Tel: 1 414 475 6000
Fax: 1 414 771 2847

Hamilton/Hallmark-#57
2440 South 179th Street
New Berlin
Wisconsin 53146
Tel: 1 414 780 7200
Fax: 1 414 780 7201

Bell Industries
W.226 N-900 Eastmound
Drive
Waukesha
Wisconsin 53186
Tel: 1 414 547 8879
Fax: 1 414 547 6547

Future Electronics Corp.
20875 Crossroads Cir., Ste.200
Waukesha
Wisconsin 53186
Tel: 1 414 786 1884
Fax: 1 414 879 0250

Marshall Industries
20900 Swenson Drive
Waukesha
Wisconsin 53186
Tel: 1 414 797 8400
Fax: 1 414 797 8270

Canada

Alberta

Future Electronics Corp.
2015 32nd Ave., NE, Ste. 1
T2E 6Z3 Calgary
Tel: 1 403 250 5550
Fax: 1 403 291 7054

Future Electronics Corp.
4606 97th Street
T6E 5N9 Edmonton
Tel: 1 403 438 2858
Fax: 1 403 434 0812

British Columbia

Hamilton/Hallmark-#45
8610 Commerce Ct.
V5A 4N6 Burnaby
Tel: 1 604 420 4101
Fax: 1 604 420 5376

Future Electronics Corp.
1695 Boundary Road
V5K 4X7 Vancouver
Tel: 1 604 294 1166
Fax: 1 604 294 1206

South America

Argentina

Compania de Semiconductores
y Componentes S.A.
Parana 751/55
1017 Buenos Aires
Tel: 54 1 373 4091
Fax: 54 1 325 8689

Electrocomponentes S.A.
Solis 225/227/229
1078 Buenos Aires
Tel: 54 1 4761 864
Fax: 54 1 3258 076

Manitoba

Future Electronics Corp.
106 King Edward Court
R3H 0N8 Winnipeg
Tel: 1 204 786 7711
Fax: 1 204 783 8133

Ontario

Future Electronics Corp.
5935 Airport Road, Ste. 200
L4V 1W5 Mississauga
Tel: 1 905 612 9200
Fax: 1 905 612 9185

G. S. Marshall-Canada
6285 Northam Drive, Ste. 112
L4V 1X5 Mississauga
Tel: 1 905 612 1771
Fax: 1 905 612 1988

Hamilton/Hallmark-#59
151 Superior Blvd.
L5T 2L1 Mississauga
Tel: 1 905 564 6060
Fax: 1 905 564 6033

Future Electronics Corp.
Baxter Centre
1050 Baxter Road
K2C 3P2 Ottawa
Tel: 1 613 820 8313
Fax: 1 613 820 3271

Quebec

Future Electronics Corp.
237 Hymus Blvd.
H9R 5C7 Pointe Claire
Tel: 1 514 694 7710
Fax: 1 514 695 3707

Marshall Industries
148 Brunswick Blvd.
H9R 5P7 Pointe Claire
Tel: 1 514 694 8142
Fax: 1 514 694 6989

Future Electronics Corp.
1000 Avenue St. Jean-Baptiste,
Ste. 100
G2E 5G5 Quebec
Tel: 1 418 682 8092
Fax: 1 418 682 8303

Hamilton/Hallmark-#65
7575 Transcanadienne Highway,
Ste. 600
H4T 1V6 St. Laurent
Tel: 1 514 335 1000
Fax: 1 514 355 2381

Brasil

Politronic Produtos Eletroele-
tronicos Ltda.
Rua Manoel Ignacio Moreira
200
13210-770 Jundiai-SP
Tel: 55 11 7397 2428
Fax: 55 11 7397 1012

Atlas Componentes Eletronicos
Ltda.
Vila Mariana
R. Tenente Gomes Ribei-
ro, 182-10 Andar
04038-040 Sao Paulo-SP
Tel: 55 11 574 0404
Fax: 55 11 573 3144

Asia Pacific

Australia

Braemac Pty Ltd
1/59-61 Burrows Road
Alexandria NSW 2015
Tel: 61 2 550 6600
Fax: 61 2 550 6377

Consulaust International Pty
Ltd
3rd Floor, 10 Bridge Street
Granville, NSW 2142
Tel: 61 2 637 2558
Fax: 61 2 682 4521

Consulaust International Pty.
Ltd.
2064 Artarmon
P.O.Box 994
NSW
Tel: 61 2 415 965
Fax: 61 2 411 5294

IRH Components
1-5 Carter Street
2128 Silverwater
NSW
Tel: 61 2 364 1766
Fax: 61 2 648 3505

Hong Kong

Audio Mechanical Corp. Ltd.
Ste.1701 A World Finance
Centre
South Tower, Harbour City
17, Canton Road, Tsimshatsui
Kowloon
Tel: 852 2 736 8192
Fax: 852 2 735 0926

Aggressive
Unit 6,BlkB,7/F Hoi Luen Ind
C
55 Hoi Yuen Road
Kowloon
Kwuntong
Tel: 852 2342 2181
Fax: 852 2797 9388

Willas-Array Electronics Ltd.
200 Tai Lin Pai Road
Unit 1,24/F, Wyler Centre
Phase 2
Kwai Chung
N.T.
Tel: 852 2 418 3700
Fax: 852 2 481 6992

Japan

Ryoden Trading Co., Ltd.
3-15-15 Higashi-Ikebukuro,
Toshima-ku
Tokyo 170
Tel: 81 3 5396 6233
Fax: 81 3 5396 6443

India

Blue Star Limited
Blue Star House 11/A
Magarath Road
560 025 Bangalore
Tel: 91 80 558 4728
Fax: 91 80 558 4599

Spectra Innovations Inc.
S-822 Manipl Centre
47 Dickenson Road
560-042 Bangalore
Tel: 91 8055 8800 1
Fax: 91 8055 8687 2

Spectra Innovations Inc.
301, 5-Pusa Road
110005 New Delhi
Tel: 91 11 7535 719
Fax: 91 11 7525 341

Blue Star Limited
Sahas 414/2
Veer Savarkar Marg
400025 Prabhadevi, Bombay
Tel: 91 22 430 6155
Fax: 91 22 430 7078

Korea

Changnam Electronics Industry
#44-22, Yoido-Dong
9th Fl., Hosung Bldg.
Seoul
Youngdeungpo-Ku
Tel: 82 2 7820 412
Fax: 82 2 7847 702

Malaysia

Scan Components (M)
Sdn.Bhd.
11900 Sungei Nibong
761-B, Jalan Sultan Azlan
Shah
Penang
Tel: 60 4 643 5136
Fax: 60 4 643 6320

New Zealand

Arrow (NZ) Ltd.
19-21 Pretoria Street
Lower Hutt
P.O.Box 31186, WMC
Tel: 64 4 566 3222
Fax: 64 4 566 2111

Rep. of Singapore

Tomen (S) Pte Ltd
10 Shenton Way,#16-02 MAS
Build.
Singapore 079117
Tel: 65 221 1422
Fax: 65 221 0400

Ryosho Techno (S) Pte Ltd
396 Alexandra Road, #04-03
BP Tower
Singapore 119955
Tel: 65 473 7118
Fax: 65 479 8286

Spectra Innovations Inc.
#01-07 Henderson Industr.
Park
213 Henderson Road
Singapore 159553
Tel: 65 271 0016
Fax: 65 271 4112

Uppertech Singapore
Cititech Industrial Building
629 Aljunied Road #03-10
Singapore 389838
Tel: 65 747 4900
Fax: 65 747 1234

Willias-Array (S) Pte Ltd
40 Jalan Pemimpin
04-03B Tat Ann Building
Singapore 577185
Tel: 65 353 3655
Fax: 65 353 6153

Scan Technology (S) Pte Ltd.
Jurong Industrial Estate
10 Penjuru Lane
Singapore 609190
Tel: 65 2 652 655
Fax: 65 2 655 200

Taiwan, R.O.C.

Dynamar Taiwan Co. Ltd.
Section 4
#142, 11 F-7 Chung-Hsiao
East Road
Taipei
Tel: 886 2 721 3007
Fax: 886 2 775 1597

Uppertech Enterprise Co.,Ltd.
Hsin Tien City
6F, No 92,Pao Chung Road
Taipei
Tel: 886 2 916 1997
Fax: 886 2 914 1152

World Peace Industrial Co., Ltd
. .
8 F, 76, Section 1
8F,76 Cheng Kung Road, Nan-
kang
Taipei
Tel: 886 2 7885 200
Fax: 886 2 7883 255

Thailand

Scan Technology (T) Pte Ltd
93/37 Modern Group Building
Chaeng Wattana Road
Pakkred Nontaburi, 11120
Tel: 662 982 9023
Fax: 662 574 6386

TEMIC reserves the right to make changes in the products or specifications contained in this datasheet in order to improve design or performance and to supply the best possible products. TEMIC also assumes no responsibility for the use of any circuits described herein, conveys no license under any patents or other rights, and makes no representations that the circuits are free from patent infringement. Applications for any integrated circuits contained in this publication are for illustration purposes only and TEMIC makes no representation or warranty that such applications will be suitable for the use specified without further testing or modification. Reproduction of any portion hereof without the prior written consent of TEMIC is prohibited.

On line information

World Wide Web: <http://www.temic.de>

Copyright INTEL Corporation 1994. Portions reprinted by permission of INTEL Corporation.
“Quick Pulse Algorithm” is a trademark Intel.