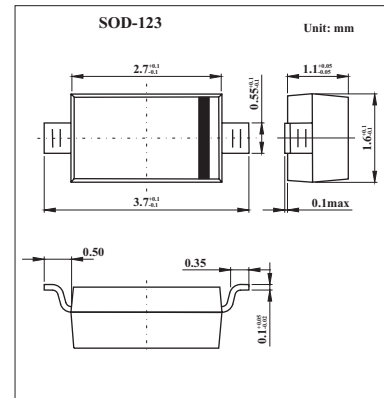


Schottky Barrier Switching Diodes

KB160VA-30

■ Features

- Low forward voltage drop.
- Guard ring construction for transient protection.
- Negligible reverse recovery time.



■ Absolute Maximum Ratings $T_a = 25^\circ\text{C}$

Parameter	Symbol	Rating	Unit
Peak reverse voltage	V_{RM}	30	V
DC reverse voltage	V_R	30	V
Mean rectifying current	I_O	1	A
Peak forward surge current	I_{FSM}	5	A
Junction temperature	T_j	150	$^\circ\text{C}$
Storage temperature	T_{stg}	-40 to 150	$^\circ\text{C}$

■ Electrical Characteristics $T_a = 25^\circ\text{C}$

Parameter	Symbol	Testconditions	Min	Typ	Max	Unit
Forward voltage	V_F	$I_F=700\text{mA}$		0.50	0.55	V
Reverse current	I_R	$V_R=30\text{V}$		1.5	50	μA