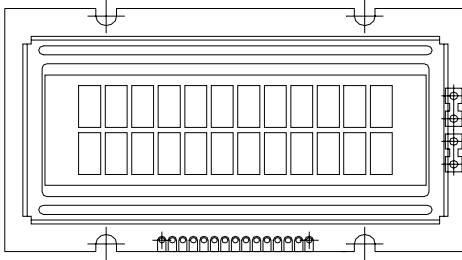


12 x 2 Character LCD



FEATURES

- 5 x 8 dots with cursor
- Built - in controller (KS 0066 or Equivalent)
- + 5 V power supply
- 1/16 duty cycle
- B/L to be driven by pin 1, pin 2, or A.K (LED)
- RoHS compliant


RoHS
COMPLIANT

MECHANICAL DATA		
ITEM	STANDARD VALUE	UNIT
Module Dimension	55.7 x 32.0	mm
Viewing Area	46.0 x 14.5	mm
Dot Size	0.45 x 0.60	mm
Character Size	2.65 x 5.50	mm
Mounting Hole	31.2 x 30.0	mm

ABSOLUTE MAXIMUM RATING					
ITEM	SYMBOL	STANDARD VALUE			UNIT
		MIN.	TYP.	MAX.	
Power Supply	VDD-VSS	- 0.3	-	7.0	V
Input Voltage	VI	- 0.3	-	VDD	V

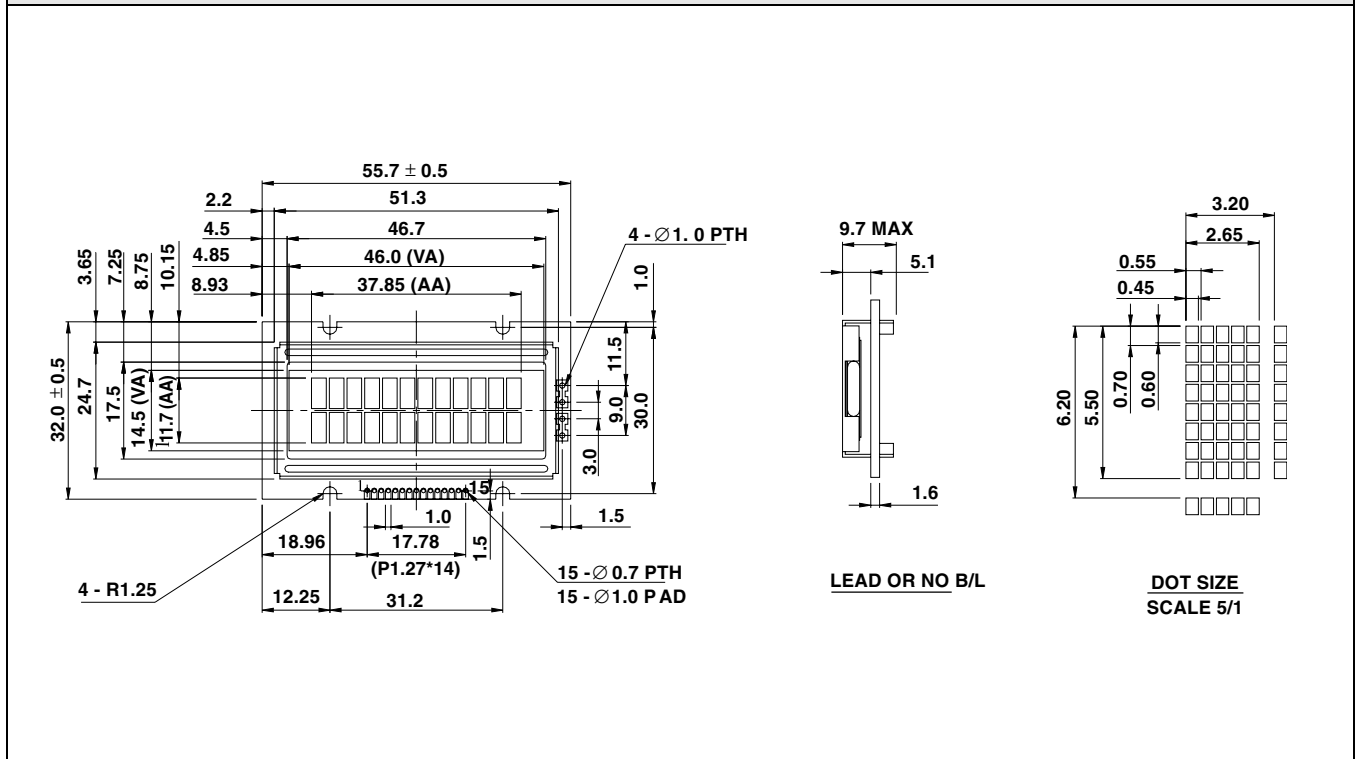
NOTE: VSS = 0 V, VDD = 5.0 V

ELECTRICAL SPECIFICATIONS						
ITEM	SYMBOL	CONDITION	STANDARD VALUE			UNIT
			MIN.	TYP.	MAX.	
Input Voltage	VDD	VDD = + 5 V	4.7	5.0	5.3	V
Supply Current	IDD	VDD = + 5 V	-	1.5	3.0	mA
Recommended LC Driving Voltage for Normal Temp. Version Module	VDD - V0	- 20 °C	-	1.3	1.5	V
		0 °C	4.9	5.2	5.5	
		25 °C	4.1	4.4	4.7	
		50 °C	3.8	4.2	4.4	
		70 °C	-	-	-	
LED Forward Voltage	VF	25 °C	-	4.2	4.6	V
LED Forward Current	IF	25 °C	-	40	80	mA

DISPLAY CHARACTER ADDRESS CODE:								
Display Position								
	1	2	3	4	5	6	7	8
DD RAM Address	00	01						07
DD RAM Address	40	41						47

PIN NUMBER	SYMBOL	FUNCTION
1	Vss	GND
2	Vdd	+ 5 V
3	Vo	Contrast Adjustment
4	RS	H/L Register Select Signal
5	R/W	H/L Read/Write Signal
6	E	H → L Enable Signal
7	DB0	H/L Data Bus Line
8	DB1	H/L Data Bus Line
9	DB2	H/L Data Bus Line
10	DB3	H/L Data Bus Line
11	DB4	H/L Data Bus Line
12	DB5	H/L Data Bus Line
13	DB6	H/L Data Bus Line
14	DB7	H/L Data Bus Line
15	A	4.2 V for LED (RA = 0 Ω)

DIMENSIONS in millimeters





Disclaimer

All product specifications and data are subject to change without notice.

Vishay Intertechnology, Inc., its affiliates, agents, and employees, and all persons acting on its or their behalf (collectively, "Vishay"), disclaim any and all liability for any errors, inaccuracies or incompleteness contained herein or in any other disclosure relating to any product.

Vishay disclaims any and all liability arising out of the use or application of any product described herein or of any information provided herein to the maximum extent permitted by law. The product specifications do not expand or otherwise modify Vishay's terms and conditions of purchase, including but not limited to the warranty expressed therein, which apply to these products.

No license, express or implied, by estoppel or otherwise, to any intellectual property rights is granted by this document or by any conduct of Vishay.

The products shown herein are not designed for use in medical, life-saving, or life-sustaining applications unless otherwise expressly indicated. Customers using or selling Vishay products not expressly indicated for use in such applications do so entirely at their own risk and agree to fully indemnify Vishay for any damages arising or resulting from such use or sale. Please contact authorized Vishay personnel to obtain written terms and conditions regarding products designed for such applications.

Product names and markings noted herein may be trademarks of their respective owners.