

ORD 9702XY ORE 9701X 3mm PCB MOUNTED LEDS

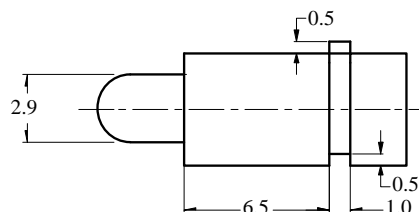
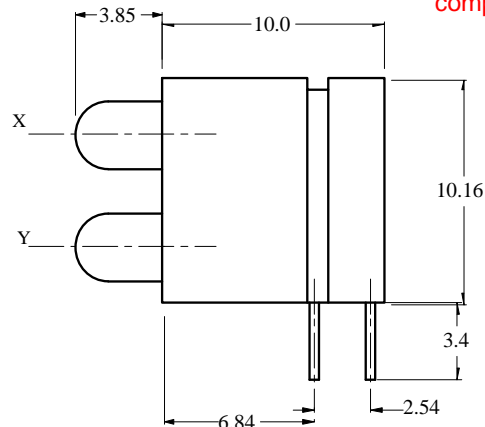
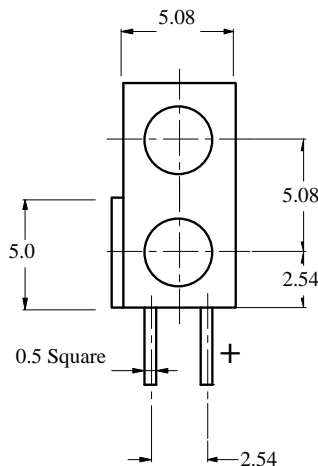
An assembly containing one or two 3mm LEDs. The housings provide convenient and rigid mountings for a double row of LEDs on 0.2 inch vertical pitch.

- Compact double row of LEDs in black Nylon 6 V0 rated housings.
- Alignment key
- Matched brightness
- Low current 2mA LEDs available.
- ORE9701 Bottom LED only



MECHANICAL DATA

This component is RoHS compliant



BEDFORD OPTO TECHNOLOGY LTD
1 BIGGAR BUSINESS PARK, BIGGAR, LANARKSHIRE, ML12 6FX

Tel: +44 (0) 1899 221221 Fax: +44 (0) 1899 221009
Website: bot.co.uk E-mail: bill@bot.co.uk

