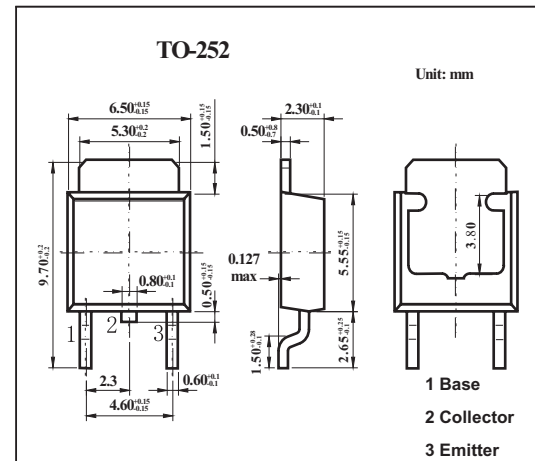


## High-Voltage Switching Applications

## 2SC4134

## ■ Features

- High breakdown voltage and large current capacity.
- Fast switching speed.

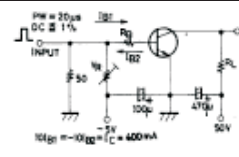


## ■ Absolute Maximum Ratings Ta = 25°C

Parameter	Symbol	Rating	Unit
Collector-base voltage	V <sub>CB0</sub>	-120	V
Collector-emitter voltage	V <sub>CE0</sub>	-100	V
Emitter-base voltage	V <sub>EB0</sub>	-6	V
Collector current	I <sub>c</sub>	-1	A
Collector current (pulse)	I <sub>CP</sub>	-2	A
Collector dissipation	P <sub>C</sub>	0.8	W
Collector dissipation T <sub>c</sub> =25°C	P <sub>C</sub>	10	W
Junction temperature	T <sub>j</sub>	150	°C
Storage temperature	T <sub>stg</sub>	-55 to +150	°C

## 2SC4134

## ■ Electrical Characteristics Ta = 25°C

Parameter	Symbol	Testconditions	Min	Typ	Max	Unit	
Collector cutoff current	I <sub>CBO</sub>	V <sub>CB</sub> = 100V, I <sub>E</sub> =0			100	nA	
Emitter cutoff current	I <sub>EBO</sub>	V <sub>EB</sub> = 4V, I <sub>C</sub> =0			100	nA	
DC current gain	h <sub>FE</sub>	V <sub>CE</sub> = 5V, I <sub>C</sub> = 100mA	100		400		
Gain bandwidth product	f <sub>T</sub>	V <sub>CE</sub> = 10V, I <sub>C</sub> = 100mA		120		MHz	
Output capacitance	C <sub>ob</sub>	V <sub>CB</sub> = 10V, f = 1.0MHz		8.5		pF	
Collector-emitter saturation voltage	V <sub>CE(sat)</sub>	I <sub>C</sub> = 400mA, I <sub>B</sub> = 40mA		0.1	0.4	V	
Base-emitter saturation voltage	V <sub>BE(sat)</sub>	I <sub>C</sub> = 400mA, I <sub>B</sub> = 40mA		0.85	1.2	V	
Collector-base breakdown voltage	V <sub>(BR)CBO</sub>	I <sub>C</sub> = 10μA, I <sub>E</sub> = 0	120			V	
Collector-emitter breakdown voltage	V <sub>(BR)CEO</sub>	I <sub>C</sub> = 1mA, R <sub>BE</sub> = ∞	100			V	
Emitter-base breakdown voltage	V <sub>(BR)EBO</sub>	I <sub>E</sub> = 10μA, I <sub>C</sub> = 0	6			V	
Turn-on time	t <sub>on</sub>	 <p>Unit (resistance : Ω, capacitance : F) (For PNP, the polarity is reversed.)</p>		80		ns	
Storage time	t <sub>stg</sub>				850		ns
Fall time	t <sub>f</sub>				50		ns

## ■ hFE Classification

Rank	R	S	T
hFE	100~200	140~280	200~400