

**Silicon PNP Power Transistors**

**2SB674**

**DESCRIPTION**

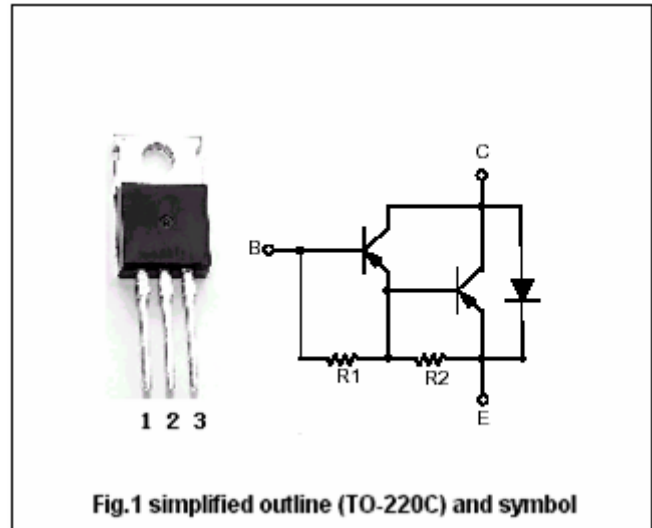
- With TO-220C package
- DARLINGTON
- High DC current gain
- Low collector saturation voltage
- Complement to type 2SD634

**APPLICATIONS**

- High power switching applications
- Hammer drive,pulse motor drive applications

**PINNING**

PIN	DESCRIPTION
1	Base
2	Collector;connected to mounting base
3	Emitter



**Absolute maximum ratings(Tc=25°C)**

SYMBOL	PARAMETER	CONDITIONS	VALUE	UNIT
$V_{CBO}$	Collector-base voltage	Open emitter	-80	V
$V_{CEO}$	Collector-emitter voltage	Open base	-80	V
$V_{EBO}$	Emitter-base voltage	Open collector	-5	V
$I_C$	Collector current		-7	A
$I_B$	Base current		-0.2	A
$P_C$	Collector power dissipation	$T_C=25^\circ C$	40	W
$T_j$	Junction temperature		150	$^\circ C$
$T_{stg}$	Storage temperature		-55~150	$^\circ C$

## Silicon PNP Power Transistors

## 2SB674

## CHARACTERISTICS

T<sub>j</sub>=25°C unless otherwise specified

SYMBOL	PARAMETER	CONDITIONS	MIN	TYP.	MAX	UNIT
V <sub>(BR)CEO</sub>	Collector-emitter breakdown voltage	I <sub>C</sub> =-50mA, I <sub>B</sub> =0	-80			V
V <sub>CEsat-1</sub>	Collector-emitter saturation voltage	I <sub>C</sub> =-3A, I <sub>B</sub> =-6mA		-0.95	-1.5	V
V <sub>CEsat-2</sub>	Collector-emitter saturation voltage	I <sub>C</sub> =-7A, I <sub>B</sub> =-14mA		-1.3	-2.0	V
V <sub>BEsat</sub>	Base-emitter saturation voltage	I <sub>C</sub> =-3A, I <sub>B</sub> =-6mA		-1.55	-2.5	V
I <sub>CBO</sub>	Collector cut-off current	V <sub>CB</sub> =-80V, I <sub>E</sub> =0			-0.1	mA
I <sub>EBO</sub>	Emitter cut-off current	V <sub>EB</sub> =-5V; I <sub>C</sub> =0			-4.0	mA
h <sub>FE-1</sub>	DC current gain	I <sub>C</sub> =-3A ; V <sub>CE</sub> =-3V	2000		15000	
h <sub>FE-2</sub>	DC current gain	I <sub>C</sub> =-7A ; V <sub>CE</sub> =-3V	1000			

## Switching times

t <sub>on</sub>	Turn-on time	I <sub>B1</sub> =-I <sub>B2</sub> =-6mA V <sub>CC</sub> =-45V, R <sub>L</sub> =15 Ω		0.8		μ s
t <sub>stg</sub>	Storage time			2.0		μ s
t <sub>f</sub>	Fall time			2.5		μ s

Silicon PNP Power Transistors

2SB674

PACKAGE OUTLINE

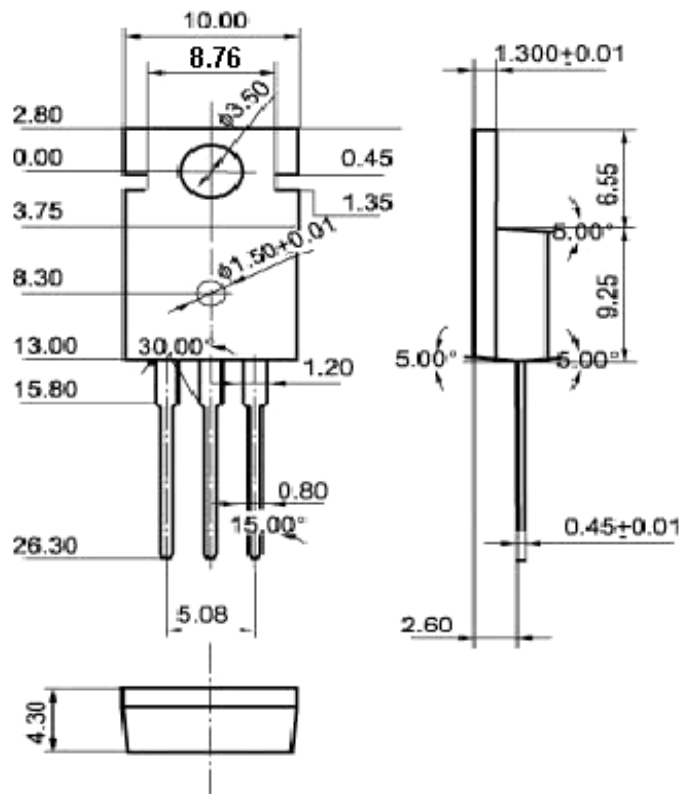


Fig.2 Outline dimensions