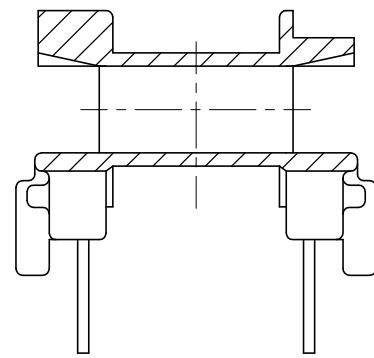
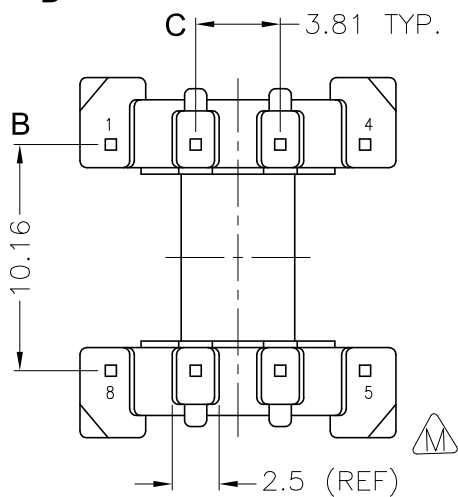
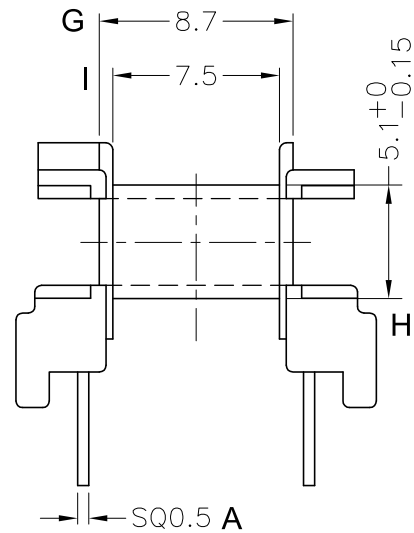
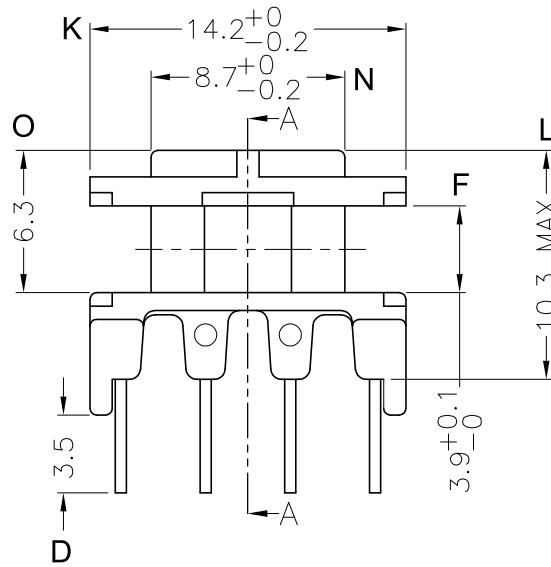
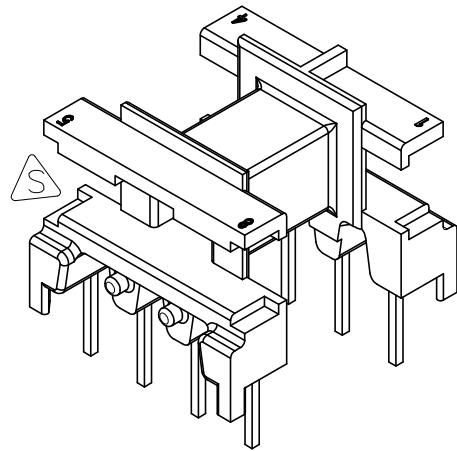
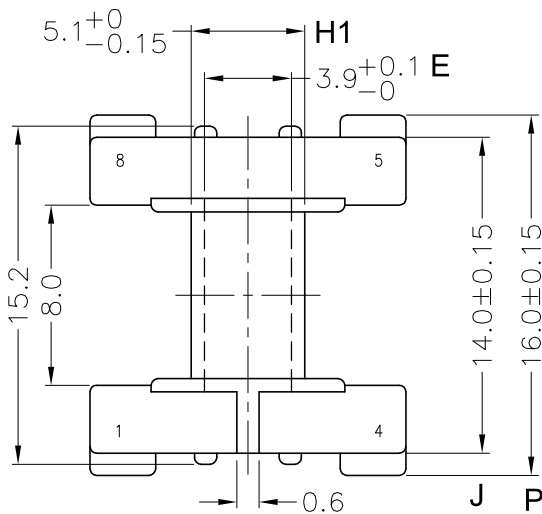


# FERYSTER Inductive Components

ul. Traugutta 4, 68-120 Iłowa Poland

http://www.feryster.com.pl e-mail: info@feryster.com.pl



SEC. A-A

**DOSTAWCA:**

TOLERANCES	
0 < L ≤ 4	±0.1
4 < L ≤ 16	±0.2
16 < L ≤ 63	±0.3

pin pitch ±0.2

ANGLE: ±1°  
UNIT: MM

TITLE: **EF12.6-K-H-8P-SS**

BOBBIN MATERIAL: PHENOLIC PM9820

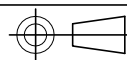
UL REC. UL 94V-0

FERYSTER Inductive Components  
TEL: +48 68 360 00 76 FAX: +48 68 360 00 70

ORIGIN: DG

PIN MATERIAL: CP WIRE

PIN TENSION LOAD: 1.5KG MIN



DATE: JAN. 25 2002

DRAWING NO. P-1211

REV. 3