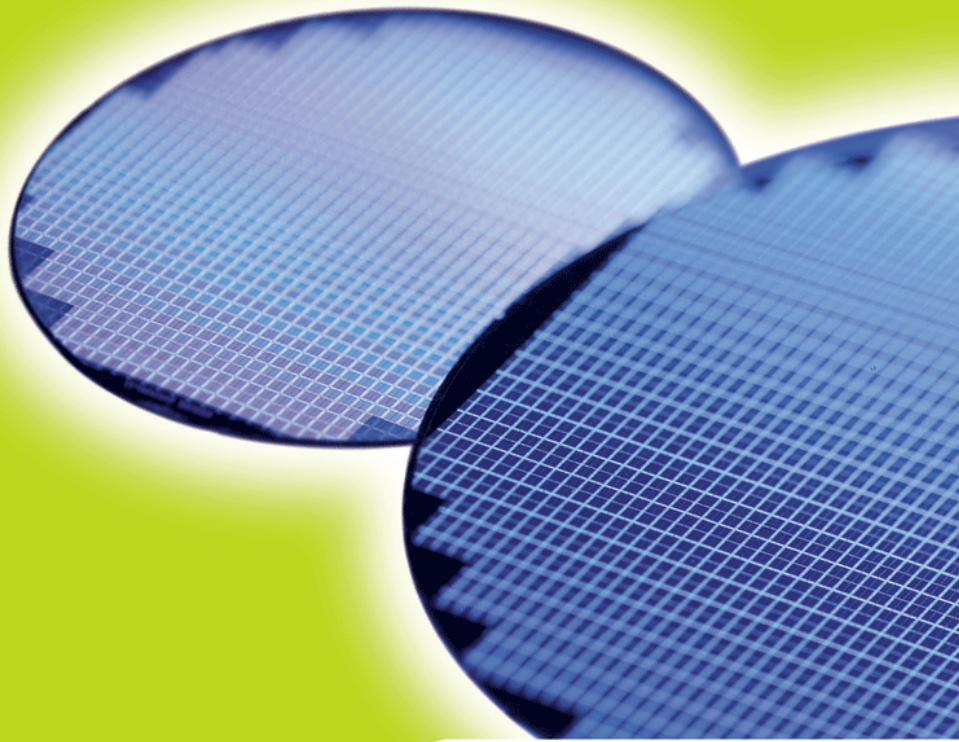


HYB18L128160BF-7.5
HYE18L128160BF-7.5
HYB18L128160BC-7.5
HYE18L128160BC-7.5

DRAMs for Mobile Applications
128-Mbit Mobile-RAM



Data Sheet

Rev. 1.71

**HYB18L128160BF-7.5; HYE18L128160BF-7.5; HYB18L128160BC-7.5; HYE18L128160BC-7.5**

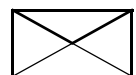
Revision History:		Rev. 1.71	2007-01
All	New Qimonda Template		
Previous Revision:		1.70	
all	new template (logo)		
all	V_{DD} , V_{DDQ} changed to 1.70V-1.95V		
Previous Revision:		1.61	
2	added disclaimer		
49	Figure 47: Updated		
28	Figure 25: Updated		
12	Chapter 2.1: added to note 6: Programming of the Extended Mode Register...		
14	Extended Mode Register table: Editorial changes Chapter 2.2.1.6: Editorial change		
39	Chapter 2.4.9.2: changed last paragraph by: If during normal operation...		
15, 28, 46, 46	Table 8, Table 12 and Table 21: t_{IH} changed Table 21: note 7 changed: If $t_T > 1ns$, a value of $[0.5 \times (t_T - 1)] ns...$ Table 20: editorial changes		2005-03-07

We Listen to Your Comments

Any information within this document that you feel is wrong, unclear or missing at all?
Your feedback will help us to continuously improve the quality of this document.

Please send your proposal (including a reference to this document) to:

techdoc.mp@infineon.com





1 Overview

This chapter gives an overview of the DRAMs for Mobile Applications product family and describes its main characteristics.

1.1 Features

The DRAMs for Mobile Applications offers the following key features:

General Features

- 4 banks × 2 Mbit × 16 organization
- Fully synchronous to positive clock edge
- Four internal banks for concurrent operation
- Programmable CAS latency: 2, 3
- Programmable burst length: 1, 2, 4, 8 or full page
- Programmable wrap sequence: sequential or interleaved
- Programmable drive strength
- Auto refresh and self refresh modes
- 4096 refresh cycles / 64 ms
- Auto precharge
- Commercial (0 °C to +70 °C) and extended (-25 °C to +85 °C) operating temperature range
- 54-ball P-VFBGA package (12.0 × 8.0 × 1.0 mm)

Power Saving Features

- Low supply voltages: $V_{DD} = 1.70V$ to $1.95V$, $V_{DDQ} = 1.70V$ to $1.95V$
- Optimized self refresh (I_{DD6}) and standby currents (I_{DD2}/I_{DD3})
- Programmable Partial Array Self Refresh (PASR)
- Temperature Compensated Self-Refresh (TCSR), controlled by on-chip temperature sensor
- Power-Down and Deep Power Down modes

Table 1 Performance

Part Number Speed Code		- 7.5	Unit
Speed Grade		133	MHz
Access Time ($t_{AC,max}$)	CL = 3	5.4	ns
	CL = 2	6.0	ns
Clock Cycle Time ($t_{CK,min}$)	CL = 3	7.5	ns
	CL = 2	9.5	ns

Table 2 Memory Addressing Scheme

Item	Addresses
Banks	BA0, BA1
Rows	A0 - A11
Columns	A0 - A8



Table 3 Ordering Information

Type	Package	Description
Commercial Temperature Range		
HYB18L128160BC-7.5	P-VFBGA-54-2	133 MHz 4 Banks × 2 Mbit × 16 LP-SDRAM
Extended Temperature Range		
HYE18L128160BC-7.5	P-VFBGA-54-2	133 MHz 4 Banks × 2 Mbit × 16 LP-SDRAM



Table 4 Ordering Information for Green Products

Type ¹⁾	Package	Description
Commercial Temperature Range		
HYB18L128160BF-7.5	P-VFBGA-54-2	133 MHz 4 Banks × 2 Mbit × 16 LP-SDRAM
Extended Temperature Range		
HYE18L128160BF-7.5	P-VFBGA-54-2	133 MHz 4 Banks × 2 Mbit × 16 LP-SDRAM

1) HYB / HYE: Designator for memory products (HYB: standard temp. range; HYE: extended temp. range)

18L: 1.8V Mobile-RAM

128: 128 MBit density

160: 16 bit interface width

B: die revision

C / F: lead-containing product (C) / green product (F)

-7.5: speed grade(s): min. clock cycle time

1.2 Pin Configuration

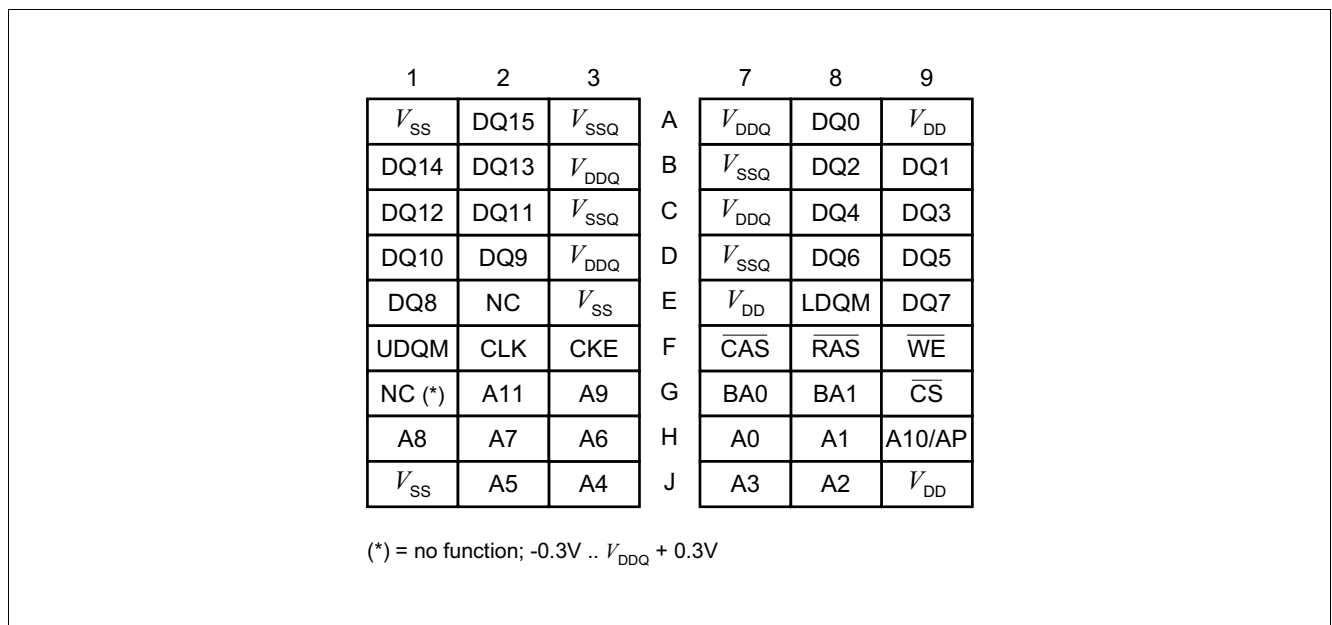


Figure 1 Standard Ballout 128-Mbit Mobile-RAM



1.3 Description

The HY[B/E]18L128160B[C/F] is a high-speed CMOS, dynamic random-access memory containing 134,217,728 bits. It is internally configured as a quad-bank DRAM.

The HY[B/E]18L128160B[C/F] achieves high speed data transfer rates by employing a chip architecture that prefetches multiple bits and then synchronizes the output data to the system clock. Read and write accesses are burst-oriented; accesses start at a selected location and continue for a programmed number of locations (1, 2, 4, 8 or full page) in a programmed sequence.

The device operation is fully synchronous: all inputs are registered at the positive edge of CLK.

The HY[B/E]18L128160B[C/F] is especially designed for mobile applications. It operates from a 1.8V power supply. Power consumption in self refresh mode is drastically reduced by an On-Chip Temperature Sensor (OCTS); it can further be reduced by using the programmable Partial Array Self Refresh (PASR).

A conventional data-retaining Power-Down (PD) mode is available as well as a non-data-retaining Deep Power-Down (DPD) mode.

The HY[B/E]18L128160B[C/F] is housed in a 54-ball P-VFBGA package. It is available in Commercial (0 °C to 70 °C) and Extended (-25 °C to +85 °C) temperature range.

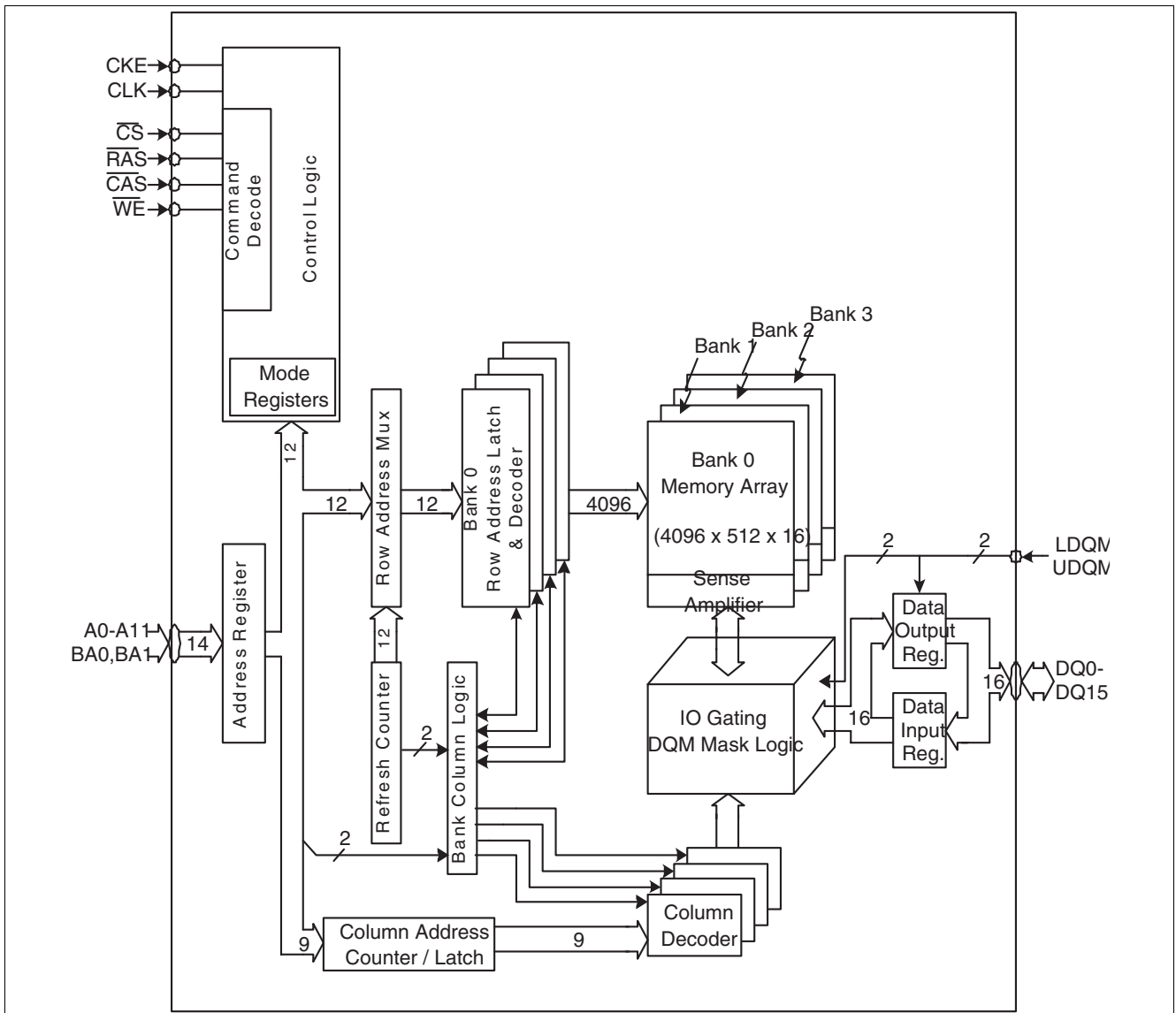


Figure 2 Functional Block Diagram



1.4 Pin Definition and Description

Table 5 Pin Description

Ball	Type	Detailed Function
CLK	Input	Clock: all inputs are sampled on the positive edge of CLK.
CKE	Input	Clock Enable: CKE HIGH activates and CKE LOW deactivates internal clock signals, device input buffers and output drivers. Taking CKE LOW provides PRECHARGE POWER-DOWN and SELF REFRESH operation (all banks idle), ACTIVE POWER-DOWN (row active in any bank) or SUSPEND (access in progress). Input buffers, excluding CLK and CKE are disabled during power-down. Input buffers, excluding CKE are disabled during SELF REFRESH.
$\overline{\text{CS}}$	Input	Chip Select: All commands are masked when $\overline{\text{CS}}$ is registered HIGH. $\overline{\text{CS}}$ provides for external bank selection on systems with multiple memory banks. $\overline{\text{CS}}$ is considered part of the command code.
$\overline{\text{RAS}}$, $\overline{\text{CAS}}$, $\overline{\text{WE}}$	Input	Command Inputs: $\overline{\text{RAS}}$, $\overline{\text{CAS}}$ and $\overline{\text{WE}}$ (along with $\overline{\text{CS}}$) define the command being entered.
DQ0 - DQ15	I/O	Data Inputs/Output: Bi-directional data bus (16 bit)
LDQM, UDQM	Input	Input/Output Mask: input mask signal for WRITE cycles and output enable for READ cycles. For WRITES, DQM acts as a data mask when HIGH. For READs, DQM acts as an output enable and places the output buffers in High-Z state when HIGH (two clocks latency). LDQM corresponds to the data on DQ0 - DQ7; UDQM to the data on DQ8 - DQ15.
BA0, BA1	Input	Bank Address Inputs: BA0 and BA1 define to which bank an ACTIVATE, READ, WRITE or PRECHARGE command is being applied. BA0, BA1 also determine which mode register is to be loaded during a MODE REGISTER SET command (MRS or EMRS).
A0 - A11	Input	Address Inputs: A0 - A11 define the row address during an ACTIVE command cycle. A0 - A8 define the column address during a READ or WRITE command cycle. In addition, A10 (= AP) controls Auto Precharge operation at the end of the burst read or write cycle. During a PRECHARGE command, A10 (= AP) in conjunction with BA0, BA1 controls which bank(s) are to be precharged: if A10 is HIGH, all four banks will be precharged regardless of the state of BA0 and BA1; if A10 is LOW, BA0, BA1 define the bank to be precharged. During MODE REGISTER SET commands, the address inputs hold the op-code to be loaded.
V _{DDQ}	Supply	I/O Power Supply: Isolated power for DQ output buffers for improved noise immunity: V _{DDQ} = 1.70V to 1.95V
V _{SSQ}	Supply	I/O Ground
V _{DD}	Supply	Power Supply: Power for the core logic and input buffers, V _{DD} = 1.70V to 1.95V
V _{SS}	Supply	Ground
N.C.	–	No Connect



2 Functional Description

The 128-Mbit Mobile-RAM is a high-speed CMOS, dynamic random-access memory containing 134,217,728 bits. It is internally configured as a quad-bank DRAM.

READ and WRITE accesses to the Mobile-RAM are burst oriented; accesses start at a selected location and continue for a programmed number of locations in a programmed sequence. Accesses begin with the registration of an ACTIVE command, followed by a READ or WRITE command. The address bits registered coincident with the ACTIVE command are used to select the bank and row to be accessed (BA0, BA1 select the banks, A0 - A11 select the row). The address bits registered coincident with the READ or WRITE command are used to select the starting column location for the burst access.

Prior to normal operation, the Mobile-RAM must be initialized. The following sections provide detailed information covering device initialization, register definition, command description and device operation.

2.1 Power On and Initialization

The Mobile-RAM must be powered up and initialized in a predefined manner (see [Figure 3](#)). Operational procedures other than those specified may result in undefined operation.

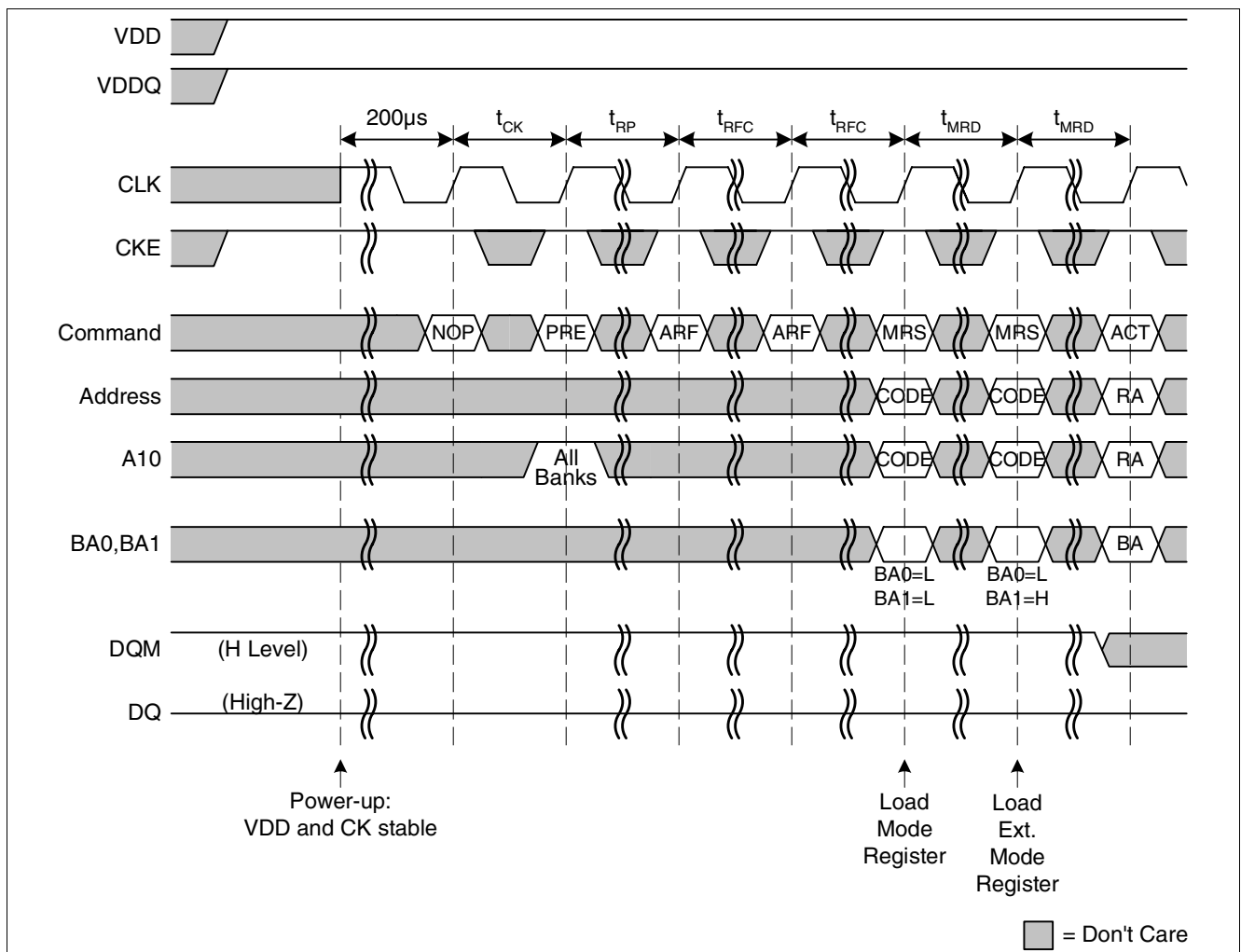


Figure 3 Power-Up Sequence and Mode Register Sets



Functional Description Register Definition

1. At first, device core power (V_{DD}) and device IO power (V_{DDQ}) must be brought up simultaneously. Typically V_{DD} and V_{DDQ} are driven from a single power converter output. Assert and hold CKE and DQM to a HIGH level.
2. After V_{DD} and V_{DDQ} are stable and CKE is HIGH, apply stable clocks.
3. Wait for 200 μ s while issuing NOP or DESELECT commands.
4. Issue a PRECHARGE ALL command, followed by NOP or DESELECT commands for at least t_{RP} period.
5. Issue two AUTO REFRESH commands, each followed by NOP or DESELECT commands for at least t_{RFC} period.
6. Issue two MODE REGISTER SET commands for programming the Mode Register and Extended Mode Register, each followed by NOP or DESELECT commands for at least t_{MRD} period; the order in which both registers are programmed is not important. Programming of the Extended Mode Register may be omitted when default values (half drive strength, 4 bank refresh) will be used.

Following these steps, the Mobile-RAM is ready for normal operation.

2.2 Register Definition

2.2.1 Mode Register

The Mode Register is used to define the specific mode of operation of the Mobile-RAM. This definition includes the selection of a burst length (bits A0-A2), a burst type (bit A3), a CAS latency (bits A4-A6), and a write burst mode (bit A9). The Mode Register is programmed via the MODE REGISTER SET command (with BA0 = 0 and BA1 = 0) and will retain the stored information until it is programmed again or the device loses power.

The Mode Register must be loaded when all banks are idle, and the controller must wait the specified time before initiating any subsequent operation. Violating either of these requirements results in unspecified operation.

Reserved states should not be used, as unknown operation or incompatibility with future versions may result.

BA1	BA0	A11	A10	A9	A8	A7	A6	A5	A4	A3	A2	A1	A0
0	0	0	0	WB	0	0		CL		BT		BL	

MPBL0010

Field	Bits	Type	Description
WB	9	w	Write Burst Mode 0_B Burst Write 1_B Single Write
CL	[6:4]	w	CAS Latency 010_B 2 011_B 3 <i>Note: All other bit combinations are RESERVED.</i>
BT	3	w	Burst Type 0_B Sequential 1_B Interleaved



Field	Bits	Type	Description
BL	[2:0]	w	Burst Length 000 _B 1 001 _B 2 010 _B 4 011 _B 8 111 _B full page (Sequential burst type only) <i>Note: All other bit combinations are RESERVED.</i>

2.2.1.1 Burst Length

READ and WRITE accesses to the Mobile-RAM are burst oriented, with the burst length being programmable. The burst length determines the maximum number of column locations that can be accessed for a given READ or WRITE command. Burst lengths of 1, 2, 4, 8 locations are available for both the sequential and interleaved burst types, and a full-page burst mode is available for the sequential burst type.

When a READ or WRITE command is issued, a block of columns equal to the burst length is effectively selected. All accesses for that burst take place within this block, meaning that the burst wraps within the block if a boundary is reached. The block is uniquely selected by A1-A8 when the burst length is set to two, by A2-A8 when the burst length is set to four and by A3-A8 when the burst length is set to eight. The remaining (least significant) address bit(s) is (are) used to select the starting location within the block.

Full page bursts wrap within the page if the boundary is reached. Please note that full page bursts do not self-terminate; this implies that full-page read or write bursts with Auto Precharge are not legal commands.

Table 6 Burst Definition

Burst Length	Starting Column Address			Order of Accesses Within a Burst	
	A2	A1	A0	Sequential	Interleaved
2			0	0 - 1	0 - 1
			1	1 - 0	1 - 0
4		0	0	0 - 1 - 2 - 3	0 - 1 - 2 - 3
		0	1	1 - 2 - 3 - 0	1 - 0 - 3 - 2
		1	0	2 - 3 - 0 - 1	2 - 3 - 0 - 1
		1	1	3 - 0 - 1 - 2	3 - 2 - 1 - 0
8	0	0	0	0 - 1 - 2 - 3 - 4 - 5 - 6 - 7	0 - 1 - 2 - 3 - 4 - 5 - 6 - 7
	0	0	1	1 - 2 - 3 - 4 - 5 - 6 - 7 - 0	1 - 0 - 3 - 2 - 5 - 4 - 7 - 6
	0	1	0	2 - 3 - 4 - 5 - 6 - 7 - 0 - 1	2 - 3 - 0 - 1 - 6 - 7 - 4 - 5
	0	1	1	3 - 4 - 5 - 6 - 7 - 0 - 1 - 2	3 - 2 - 1 - 0 - 7 - 6 - 5 - 4
	1	0	0	4 - 5 - 6 - 7 - 0 - 1 - 2 - 3	4 - 5 - 6 - 7 - 0 - 1 - 2 - 3
	1	0	1	5 - 6 - 7 - 0 - 1 - 2 - 3 - 4	5 - 4 - 7 - 6 - 1 - 0 - 3 - 2
	1	1	0	6 - 7 - 0 - 1 - 2 - 3 - 4 - 5	6 - 7 - 4 - 5 - 2 - 3 - 0 - 1
	1	1	1	7 - 0 - 1 - 2 - 3 - 4 - 5 - 6	7 - 6 - 5 - 4 - 3 - 2 - 1 - 0
Full Page	n	n	n	Cn, Cn+1, Cn+2, ...	not supported

Notes

1. For a burst length of 2, A1-Ai select the two-data-element block; A0 selects the first access within the block.
2. For a burst length of 4, A2-Ai select the four-data-element block; A0-A1 select the first access within the block.
3. For a burst length of 8, A3-Ai select the eight-data-element block; A0-A2 select the first access within the block.
4. For a full page burst, A0-Ai select the starting data element.



5. Whenever a boundary of the block is reached within a given sequence, the following access wraps within the block.

2.2.1.2 Burst Type

Accesses within a given burst may be programmed to be either sequential or interleaved; this is referred to as the burst type and is selected via bit A3. The ordering of accesses within a burst is determined by the burst length, the burst type and the starting column address, as shown in [Table 6](#).

2.2.1.3 Read Latency

The Read latency, or $\overline{\text{CAS}}$ latency, is the delay, in clock cycles, between the registration of a READ command and the availability of the first piece of output data. The latency can be programmed to 2 or 3 clocks.

If a READ command is registered at clock edge n , and the latency is m clocks, the data will be available with clock edge $n + m$ (for details please refer to the READ command description).

2.2.1.4 Write Burst Mode

When $A9 = 0$, the burst length programmed via A0-A2 applies to both read and write bursts; when $A9 = 1$, write accesses consist of single data elements only.

2.2.1.5 Extended Mode Register

The Extended Mode Register controls additional low power features of the device. These include the Partial Array Self Refresh (PASR, bits A0-A2), the Temperature Compensated Self Refresh (TCSR, bits A3-A4) and the drive strength selection for the DQs (bits A5-A6). The Extended Mode Register is programmed via the MODE REGISTER SET command (with BA0 = 0 and BA1 = 1) and will retain the stored information until it is programmed again or the device loses power.

The Extended Mode Register must be loaded when all banks are idle, and the controller must wait the specified time before initiating any subsequent operation. Violating either of these requirements result in unspecified operation.

Reserved states should not be used, as unknown operation or incompatibility with future versions may result.

BA1	BA0	A11	A10	A9	A8	A7	A6	A5	A4	A3	A2	A1	A0
1	0	0	0	WB	0	0	DS		(TCSR)			PASR	

MPBL0020

Field	Bits	Type	Description
DS	[6:5]	w	Selectable Drive Strength 00 _B Full Drive Strength 01 _B Half Drive Strength (default) <i>Note: All other bit combinations are RESERVED.</i>
TCSR	[4:3]	w	Temperature Compensated Self Refresh XX _B Superseded by on-chip temperature sensor (see text)



Field	Bits	Type	Description
PASR	[2:0]	w	Partial Array Self Refresh 000 _B all banks (default) 001 _B 1/2 array (BA1 = 0) 010 _B 1/4 array (BA1 = BA0 = 0) 101 _B 1/8 array (BA1 = BA0 = RA11 = 0) 110 _B 1/16 array (BA1 = BA0 = RA11 = RA10 = 0) <i>Note: All other bit combinations are RESERVED.</i>

2.2.1.6 Partial Array Self Refresh (PASR)

Partial Array Self Refresh is a power-saving feature specific to Mobile RAMs. With PASR, self refresh may be restricted to variable portions of the total array. The selection comprises all four banks, two banks, one bank, half of one bank, and a quarter of one bank. Data written to the non activated memory sections will get lost after a period defined by t_{REF} (cf. [Table 14](#)).

2.2.1.7 Temperature Compensated Self Refresh (TCSR) with On-Chip Temperature Sensor

DRAM devices store data as electrical charge in tiny capacitors that require a periodic refresh in order to retain the stored information. This refresh requirement heavily depends on the die temperature: high temperatures correspond to short refresh periods, and low temperatures correspond to long refresh periods.

The Mobile-RAM is equipped with an on-chip temperature sensor which continuously senses the actual die temperature and adjusts the refresh period in Self Refresh mode accordingly. This makes any programming of the TCSR bits in the Extended Mode Register obsolete. It also is the superior solution in terms of compatibility and power-saving, because

- it is fully compatible to all processors that do not support the Extended Mode Register
- it is fully compatible to all applications that only write a default (worst case) TCSR value, e.g. because of the lack of an external temperature sensor
- it does not require any processor interaction for regular TCSR updates

2.2.1.8 Selectable Drive Strength

The drive strength of the DQ output buffers is selectable via bits A5 and A6 and shall be set load dependent. The half drive strength is suitable for typical Mobile-RAM applications. The full drive strength is intended for heavier loaded systems. I-V curves for full drive strength and half drive strength can be found in [Table 24](#).

2.3 State Diagram



Functional Description State Diagram

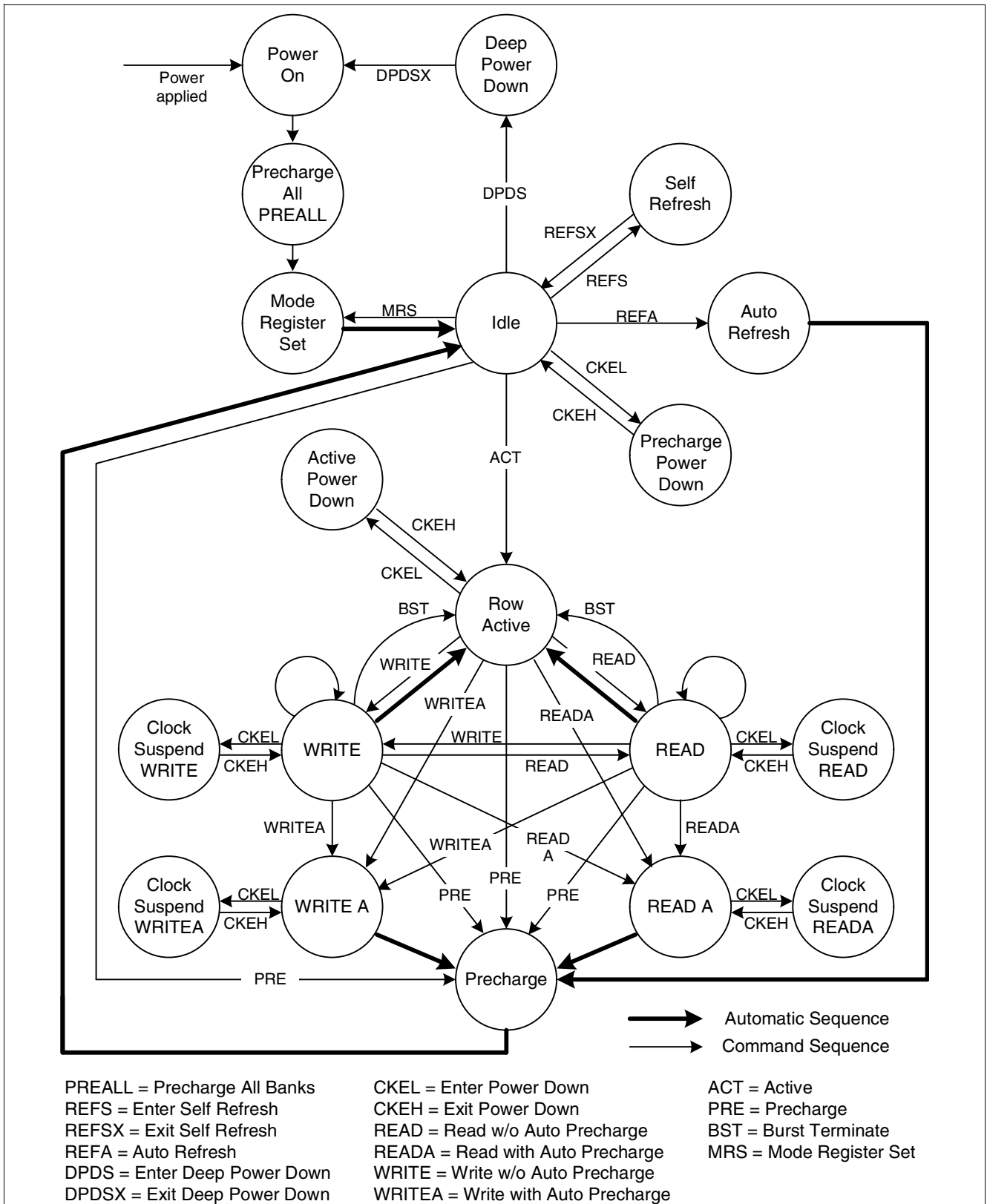


Figure 4 State Diagram



2.4 Commands

Table 7 Command Overview

Command		CS	RAS	CAS	WE	DQM	Address	Notes
NOP	DESELECT	H	X	X	X	X	X	1)
	NO OPERATION	L	H	H	H	X	X	
ACT	ACTIVE (Select bank and row)	L	L	H	H	X	Bank / Row	2)
RD	READ (Select bank and column and start read burst)	L	H	L	H	L/H	Bank / Col	3)
WR	WRITE (Select bank and column and start write burst)	L	H	L	L	L/H	Bank / Col	
BST	BURST TERMINATE or DEEP POWER DOWN	L	H	H	L	X	X	4)
PRE	PRECHARGE (Deactivate row in bank or banks)	L	L	H	L	X	Code	5)
ARF	AUTO REFRESH or SELF REFRESH (enter self refresh mode)	L	L	L	H	X	X	6)7)
MRS	MODE REGISTER SET	L	L	L	L	X	Op-Code	8)
-	Data Write / Output Enable	-	-	-	-	L	-	9)
-	Write Mask / Output Disable (High-Z)	-	-	-	-	H	-	

- 1) Deselect and NOP are functionally interchangeable.
- 2) BA0, BA1 provide bank address, and A0 - A11 provide row address.
- 3) BA0, BA1 provide bank address, A0 - A8 provide column address; A10 HIGH enables the Auto Precharge feature (non persistent), A10 LOW disables the Auto Precharge feature.
- 4) This command is BURST TERMINATE if CKE is HIGH, DEEP POWER DOWN if CKE is LOW. The BURST TERMINATE command is defined for READ or WRITE bursts with Auto Precharge disabled only.
- 5) A10 LOW: BA0, BA1 determine which bank is precharged.
A10 HIGH: all banks are precharged and BA0, BA1 are "Don't Care".
- 6) This command is AUTO REFRESH if CKE is HIGH, SELF REFRESH if CKE is LOW.
- 7) Internal refresh counter controls row and bank addressing; all inputs and I/Os are "Don't Care" except for CKE.
- 8) BA0, BA1 select either the Mode Register (BA0 = 0, BA1 = 0) or the Extended Mode Register (BA0 = 0, BA1 = 1); other combinations of BA0, BA1 are reserved; A0 - A11 provide the op-code to be written to the selected mode register.
- 9) DQM LOW: data present on DQs is written to memory during write cycles; DQ output buffers are enabled during read cycles;
DQM HIGH: data present on DQs are masked and thus not written to memory during write cycles; DQ output buffers are placed in High-Z state (two clocks latency) during read cycles.

Address (A0 - A11, BA0, BA1), write data (DQ0 - DQ15) and command inputs (CKE, $\overline{\text{CS}}$, $\overline{\text{RAS}}$, $\overline{\text{CAS}}$, $\overline{\text{WE}}$, DQM) are all registered on the positive edge of CLK. **Figure 5** shows the basic timing parameters, which apply to all commands and operations.

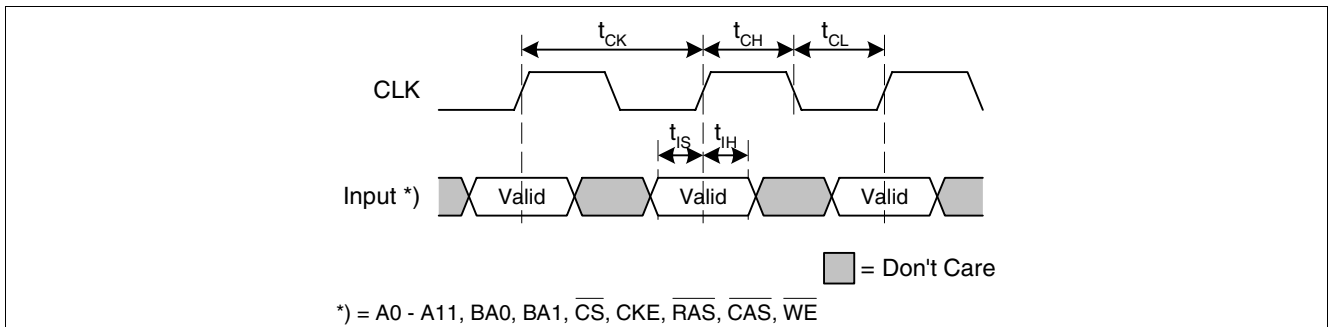


Figure 5 Address / Command Inputs Timing Parameters

Table 8 Inputs Timing Parameters

Parameter	Symbol	- 7.5		Unit	Notes	
		min.	max.			
Clock cycle time	CL = 3	t_{CK}	7.5	—	ns	—
	CL = 2		9.5	—	ns	—
Clock frequency	CL = 3	f_{CK}	—	133	MHz	—
	CL = 2		—	105	MHz	—
Clock high-level width	t_{CH}		2.5	—	ns	—
Clock low-level width	t_{CL}		2.5	—	ns	—
Address and command input setup time	t_{IS}		1.5	—	ns	—
Address and command input hold time	t_{IH}		0.5	—	ns	—

2.4.1 NO OPERATION (NOP)

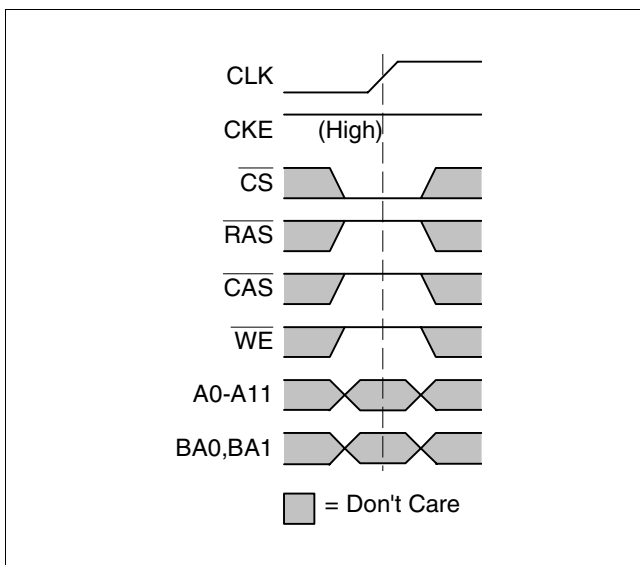


Figure 6 No Operation Command

The NO OPERATION (NOP) command is used to perform a NOP to a Mobile-RAM which is selected (\overline{CS} = LOW). This prevents unwanted commands from being registered during idle states. Operations already in progress are not affected.



2.4.2 DESELECT

The DESELECT function ($\overline{CS} = \text{HIGH}$) prevents new commands from being executed by the Mobile-RAM. The Mobile-RAM is effectively deselected. Operations already in progress are not affected.

2.4.3 MODE REGISTER SET

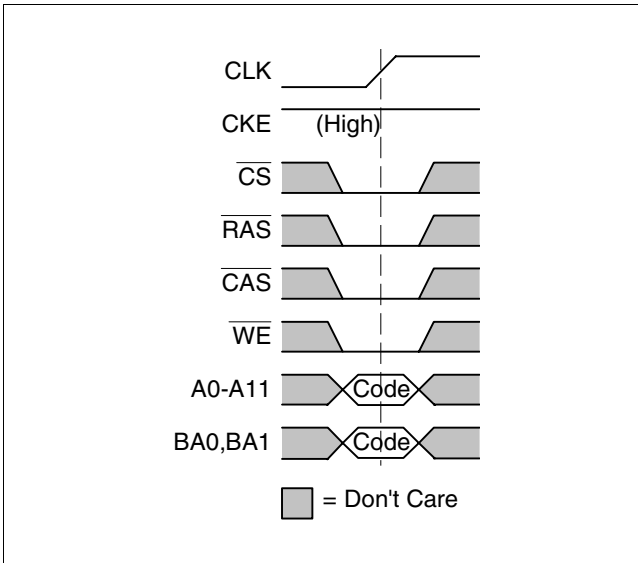


Figure 7 Mode Register Set Command

The Mode Register and Extended Mode Register are loaded via inputs A0 - A11 (see mode register descriptions in [Chapter 2.2](#)). The MODE REGISTER SET command can only be issued when all banks are idle and no bursts are in progress. A subsequent executable command cannot be issued until t_{MRD} is met.

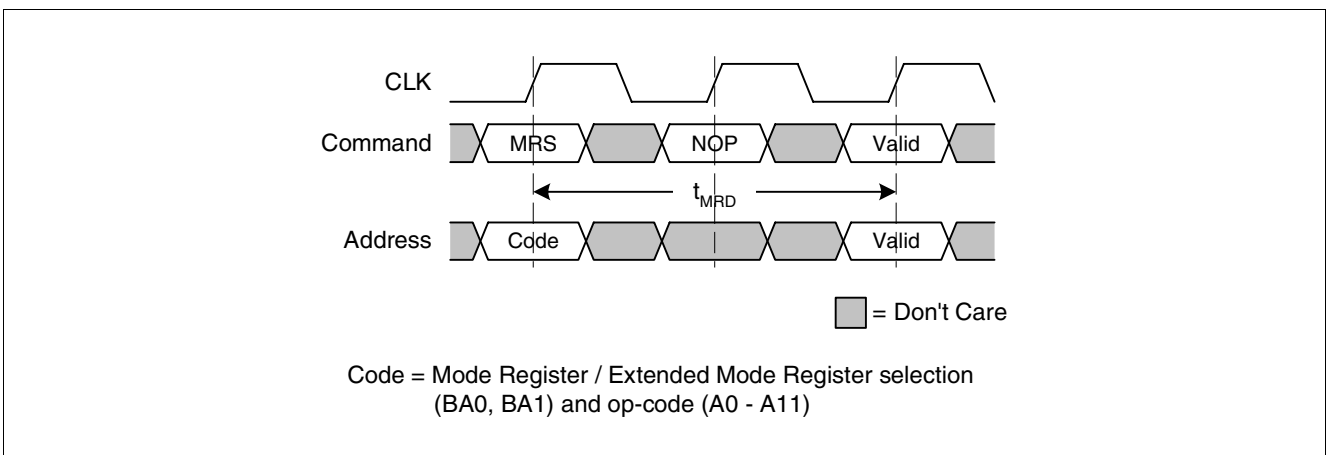


Figure 8 Mode Register Definition

Table 9 Timing Parameters for Mode Register Set Command

Parameter	Symbol	- 7.5		Units	Notes
		min.	max.		
MODE REGISTER SET command period	t_{MRD}	2	—	t_{CK}	—



2.4.4 ACTIVE

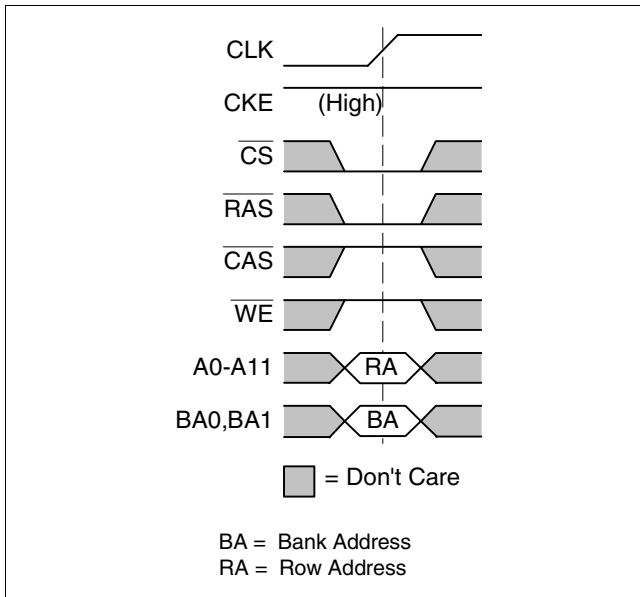


Figure 9 ACTIVE Command

Before any READ or WRITE commands can be issued to a bank within the Mobile-RAM, a row in that bank must be “opened” (activated). This is accomplished via the ACTIVE command and addresses A0 - A11, BA0 and BA1 (see [Figure 9](#)), which decode and select both the bank and the row to be activated. After opening a row (issuing an ACTIVE command), a READ or WRITE command may be issued to that row, subject to the t_{RCD} specification. A subsequent ACTIVE command to a different row in the same bank can only be issued after the previous active row has been “closed” (precharged).

The minimum time interval between successive ACTIVE commands to the same bank is defined by t_{RC} . A subsequent ACTIVE command to another bank can be issued while the first bank is being accessed, which results in a reduction of total row-access overhead. The minimum time interval between successive ACTIVE commands to different banks is defined by t_{RRD} .

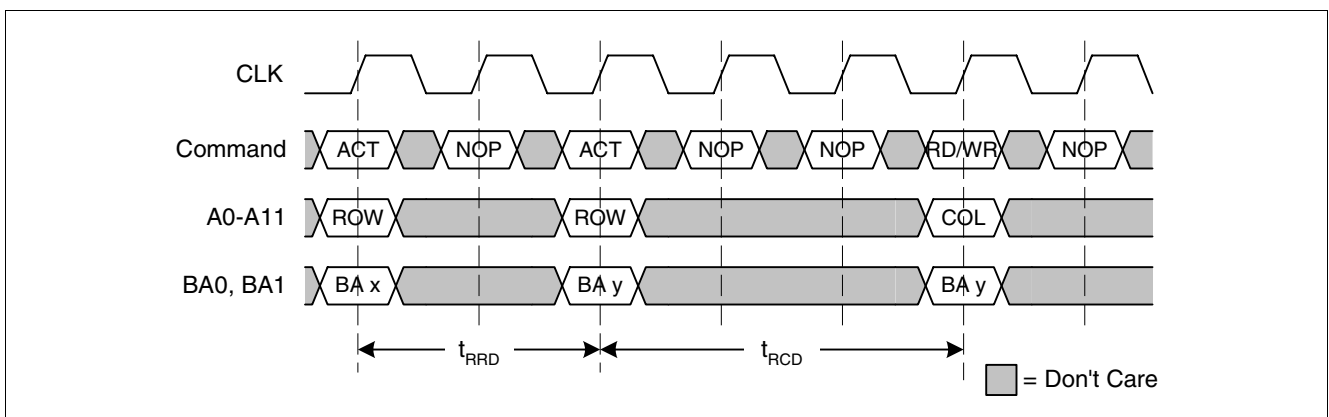


Figure 10 Bank Activate Timings



Table 10 Timing Parameters for ACTIVE Command

Parameter	Symbol	- 7.5		Units	Notes
		min.	max.		
ACTIVE to ACTIVE command period	t_{RC}	67	—	ns	1)
ACTIVE to READ or WRITE delay	t_{RCD}	19	—	ns	
ACTIVE bank A to ACTIVE bank B delay	t_{RRD}	15	—	ns	

1) These parameters account for the number of clock cycles and depend on the operating frequency as follows:
no. of clock cycles = specified delay / clock period; round up to next integer.

2.4.5 READ

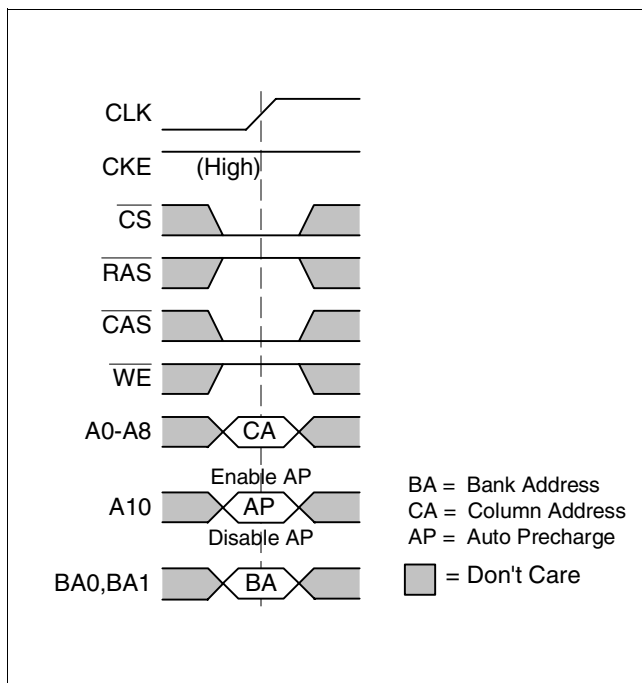


Figure 11 READ Command

Subsequent to programming the mode register with CAS latency and burst length, READ bursts are initiated with a READ command, as shown in [Figure 11](#). Basic timings for the DQs are shown in [Figure 12](#); they apply to all read operations and therefore are omitted from all subsequent timing diagrams.

The starting column and bank addresses are provided with the READ command and Auto Precharge is either enabled or disabled for that burst access. If Auto Precharge is enabled, the row being accessed starts precharge at the completion of the burst, provided t_{RAS} has been satisfied. For the generic READ commands used in the following illustrations, Auto Precharge is disabled.

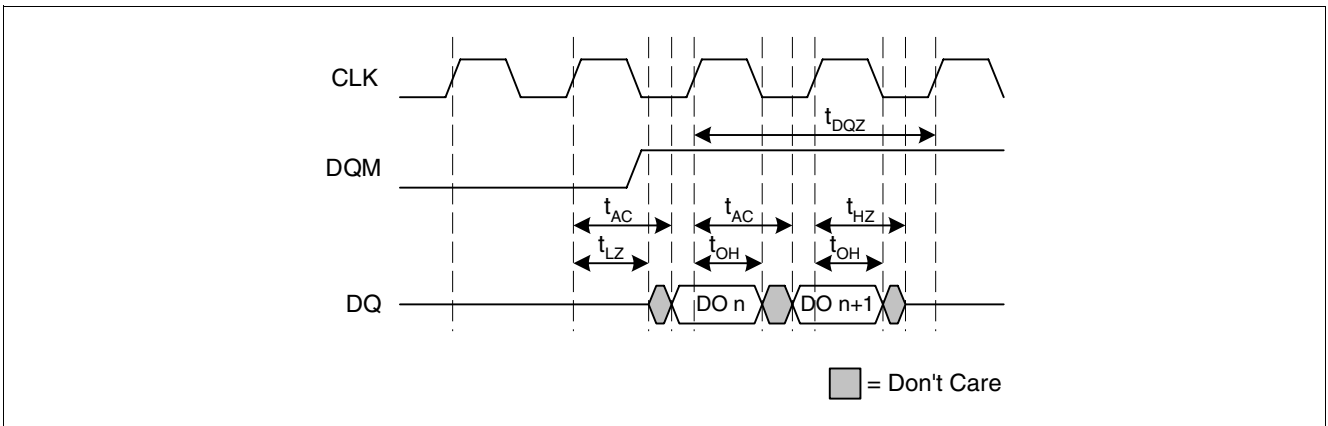


Figure 12 Basic READ Timing Parameters for DQs



Table 11 Timing Parameters for READ

Parameter	Symbol	- 7.5		Units	Notes	
		min.	max.			
Access time from CLK	CL = 3	t_{AC}	—	5.4	ns	—
	CL = 2	t_{AC}	—	6.0	ns	
DQ low-impedance time from CLK	t_{LZ}	1.0	—	—	ns	—
DQ high-impedance time from CLK	t_{HZ}	3.0	7.0	—	ns	—
Data out hold time	t_{OH}	2.5	—	—	ns	—
DQM to DQ High-Z delay (READ Commands)	t_{DQZ}	—	2	—	t_{CK}	—
ACTIVE to ACTIVE command period	t_{RC}	67	—	—	ns	1)
ACTIVE to READ or WRITE delay	t_{RCD}	19	—	—	ns	—
ACTIVE to PRECHARGE command period	t_{RAS}	45	100k	—	ns	—
PRECHARGE command period	t_{RP}	19	—	—	ns	—

1) These parameters account for the number of clock cycles and depend on the operating frequency as follows:
 no. of clock cycles = specified delay / clock period; round up to next integer.

During READ bursts, the valid data-out element from the starting column address is available following the CAS latency after the READ command. Each subsequent data-out element is valid nominally at the next positive clock edge. Upon completion of a READ burst, assuming no other READ command has been initiated, the DQs go to High-Z state.

Figure 13 and Figure 14 show single READ bursts for each supported CAS latency setting.

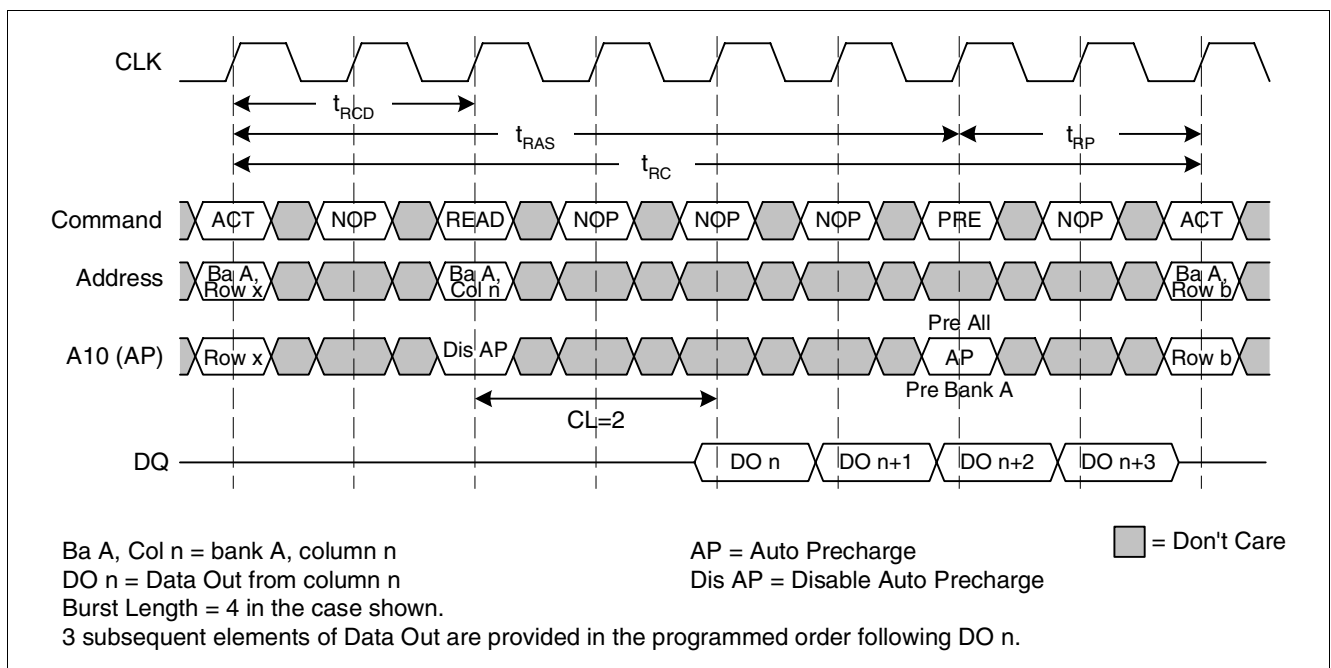


Figure 13 Single READ Burst (CAS Latency = 2)

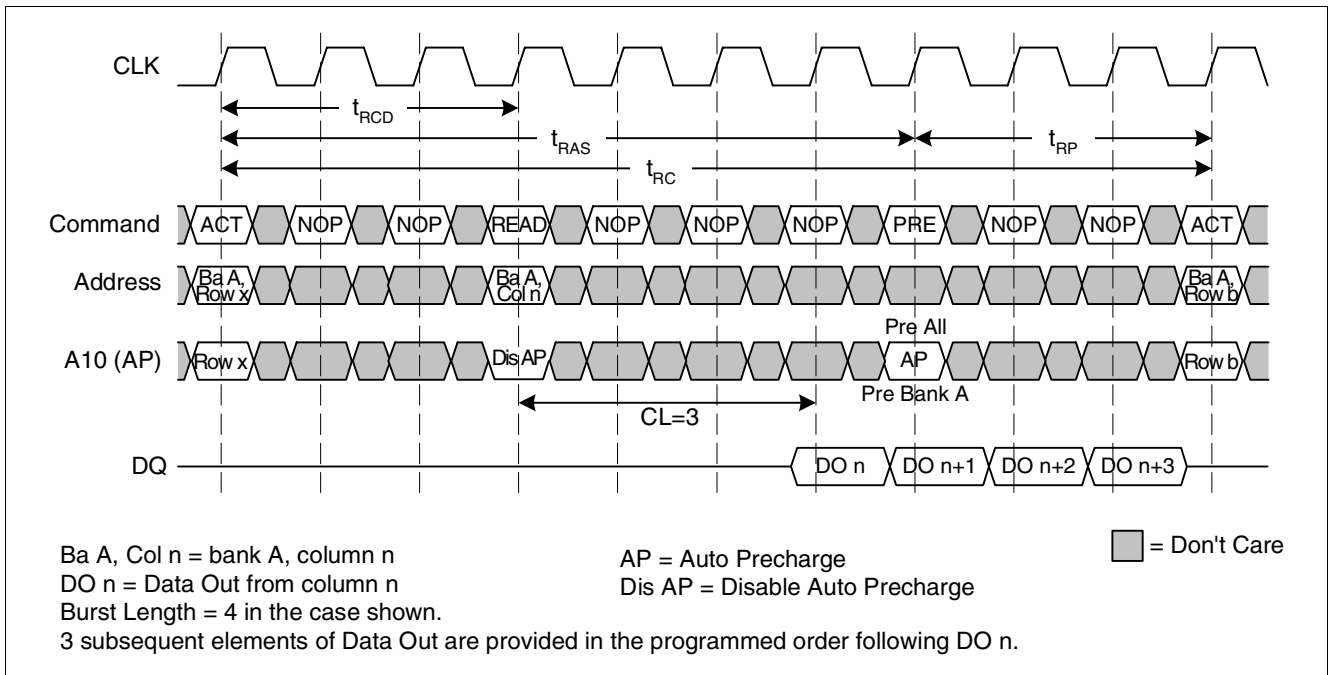


Figure 14 Single READ Burst (CAS Latency = 3)

Data from any READ burst may be concatenated with data from a subsequent READ command. In either case, a continuous flow of data can be maintained. A READ command can be initiated on any clock cycle following a previous READ command, and may be performed to the same or a different (active) bank. The first data element from the new burst follows either the last element of a completed burst (Figure 15) or the last desired data element of a longer burst which is being truncated (Figure 16). The new READ command should be issued x cycles after the first READ command, where x equals the number of desired data elements.

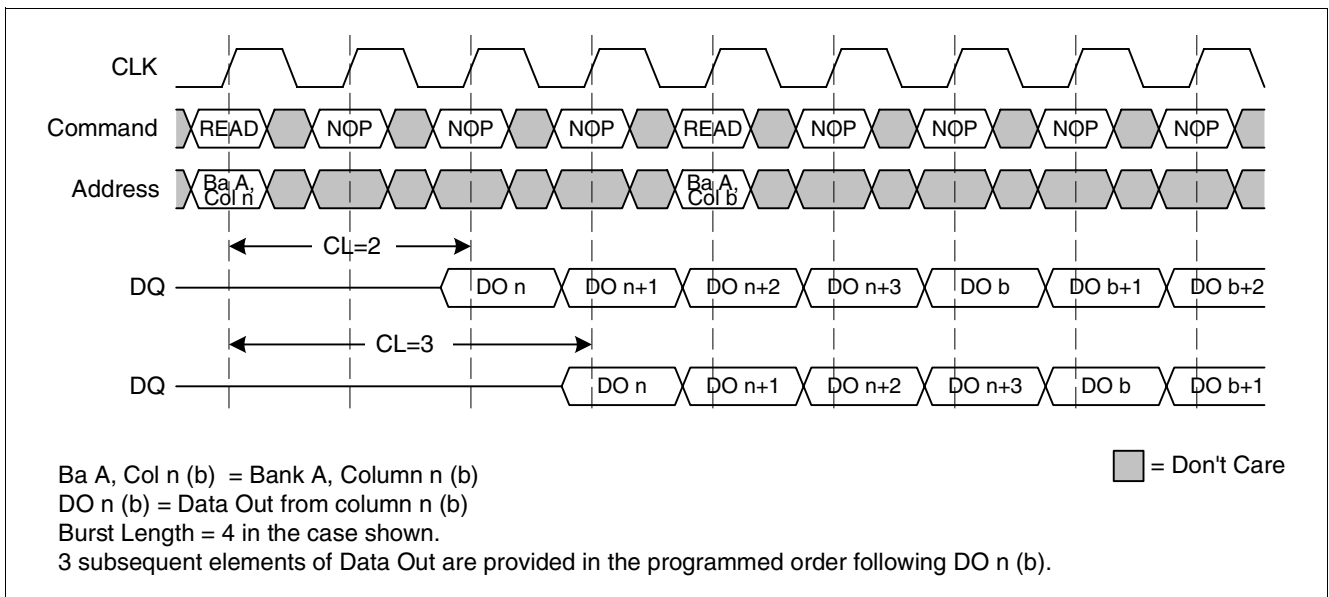


Figure 15 Consecutive READ Bursts

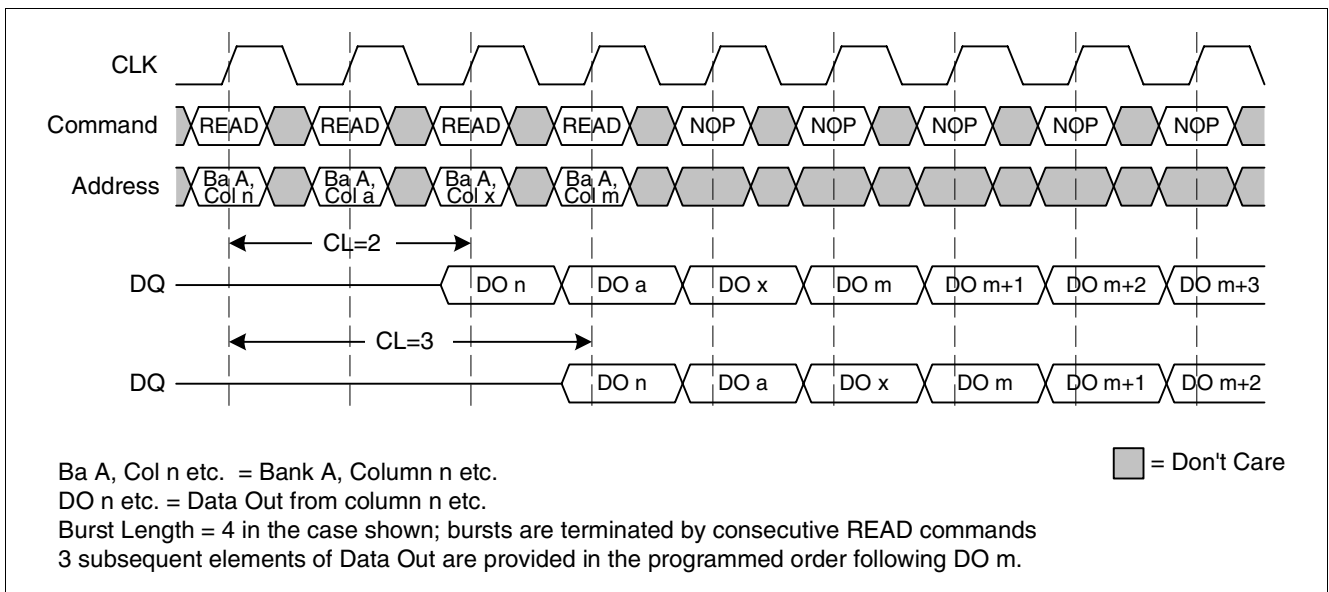


Figure 16 Random READ Bursts

Non-consecutive READ bursts are shown in [Figure 17](#).

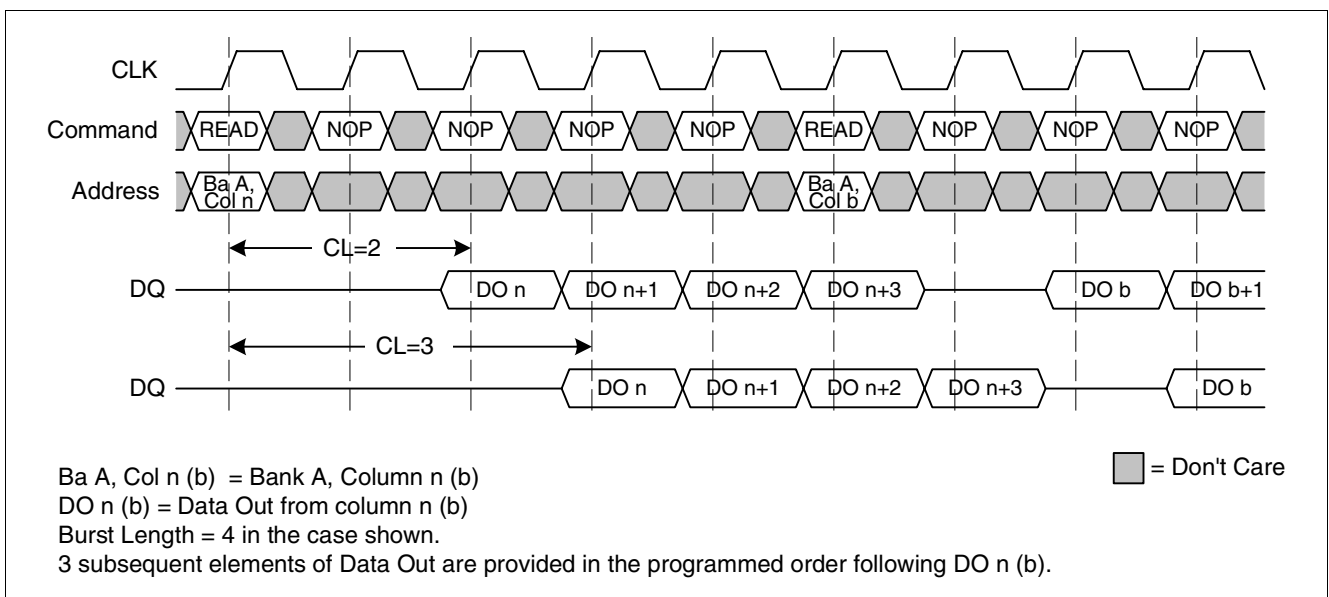


Figure 17 Non-Consecutive READ Bursts



2.4.5.1 READ Burst Termination

Data from any READ burst may be truncated using the BURST TERMINATE command (see [Page 34](#)), provided that Auto Precharge was not activated. The BURST TERMINATE latency is equal to the CAS latency, i.e. the BURST TERMINATE command must be issued x clock cycles before the clock edge at which the last desired data element is valid, where x equals the CAS latency for READ bursts minus 1. This is shown in [Figure 18](#). The BURST TERMINATE command may be used to terminate a full-page READ which does not self-terminate.

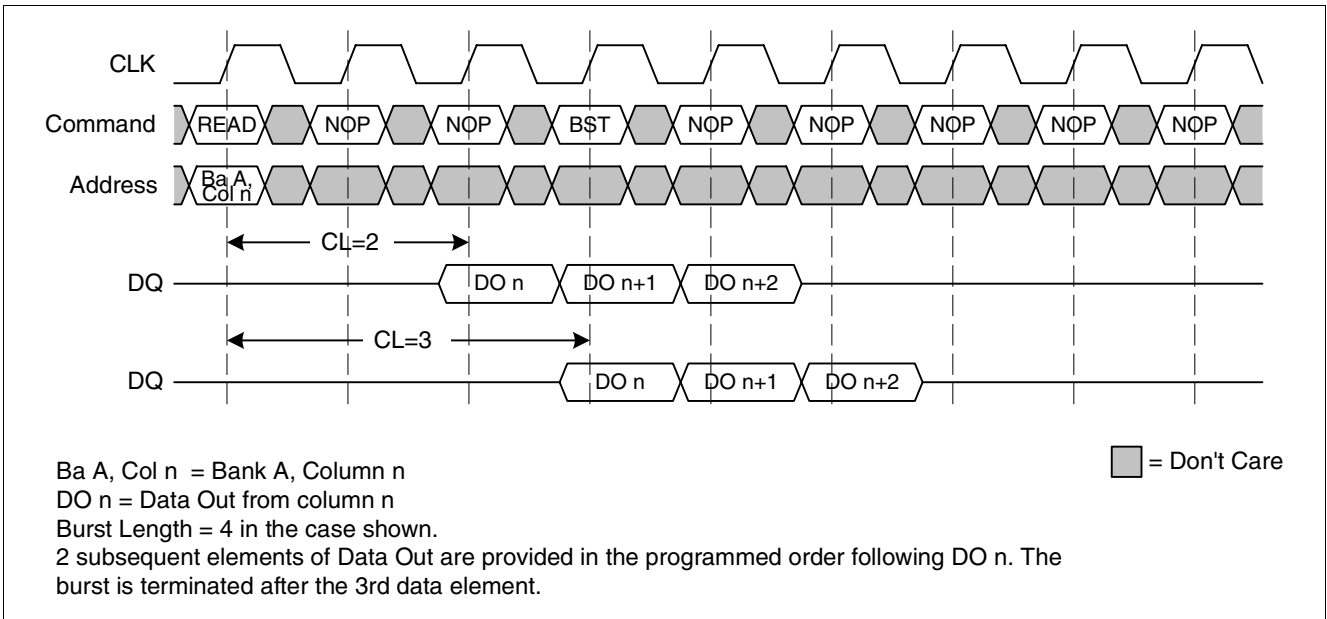


Figure 18 Terminating a READ Burst

2.4.5.2 Clock Suspend Mode for READ Cycles

Clock suspend mode allows to extend any read burst in progress by a variable number of clock cycles. As long as CKE is registered LOW, the following internal clock pulse(s) will be ignored and data on DQ will remain driven, as shown in [Figure 19](#).

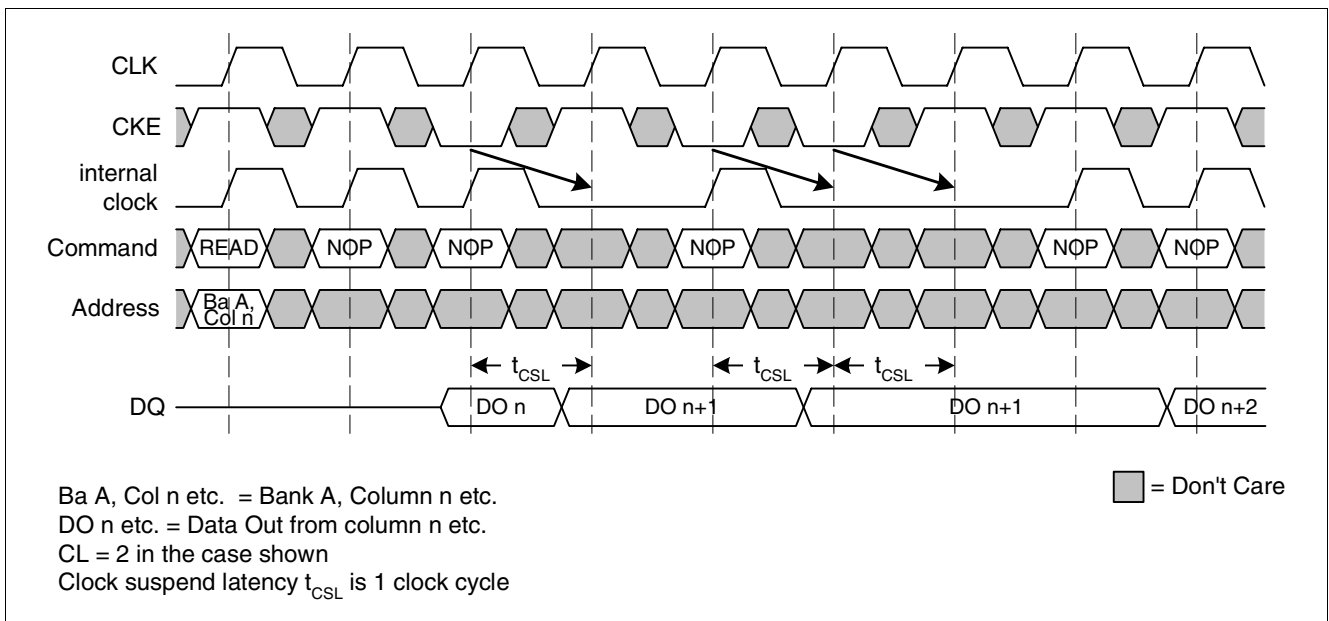


Figure 19 Clock Suspend Mode for READ Bursts

2.4.5.3 READ - DQM Operation

DQM may be used to suppress read data and place the output buffers into High-Z state. The generic timing parameters as listed in Table 11 also apply to this DQM operation. The read burst in progress is not affected and will continue as programmed.

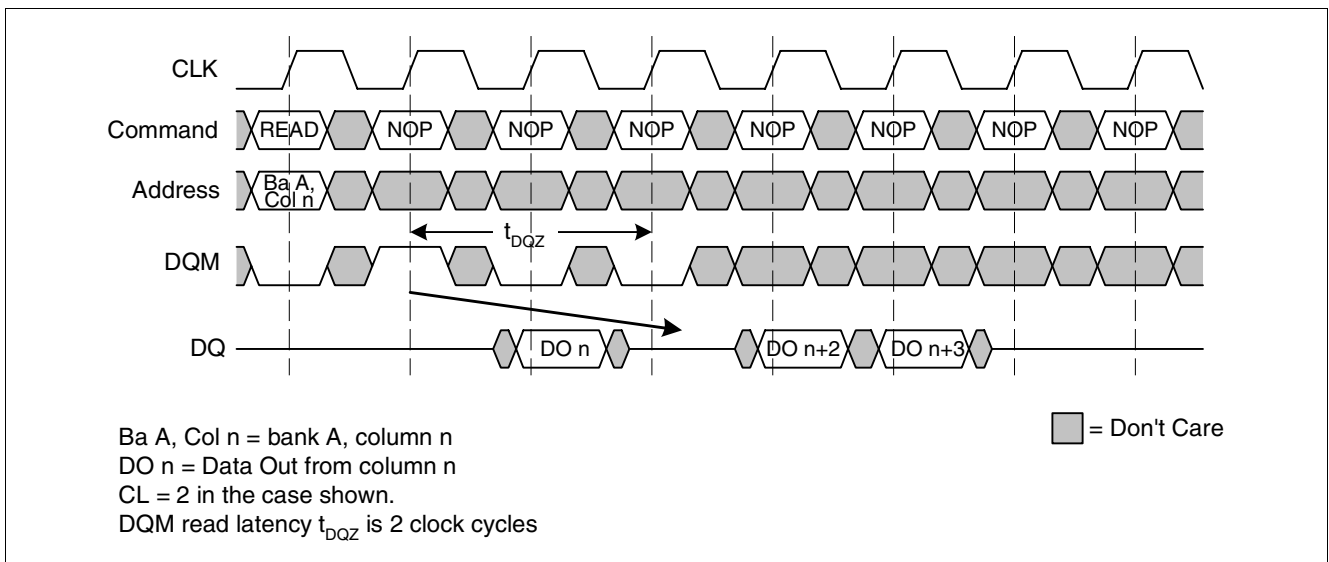


Figure 20 READ Burst - DQM Operation

2.4.5.4 READ to WRITE

A READ burst may be followed by or truncated with a WRITE command. The WRITE command can be performed to the same or a different (active) bank. Care must be taken to avoid bus contention on the DQs; therefore it is recommended that the DQs are held in High-Z state for a minimum of 1 clock cycle. This can be achieved by either delaying the WRITE command, or suppressing the data-out from the READ by pulling DQM HIGH two clock cycles



prior to the WRITE command, as shown in **Figure 21**. With the registration of the WRITE command, DQM acts as a write mask: when asserted HIGH, input data will be masked and no write will be performed.

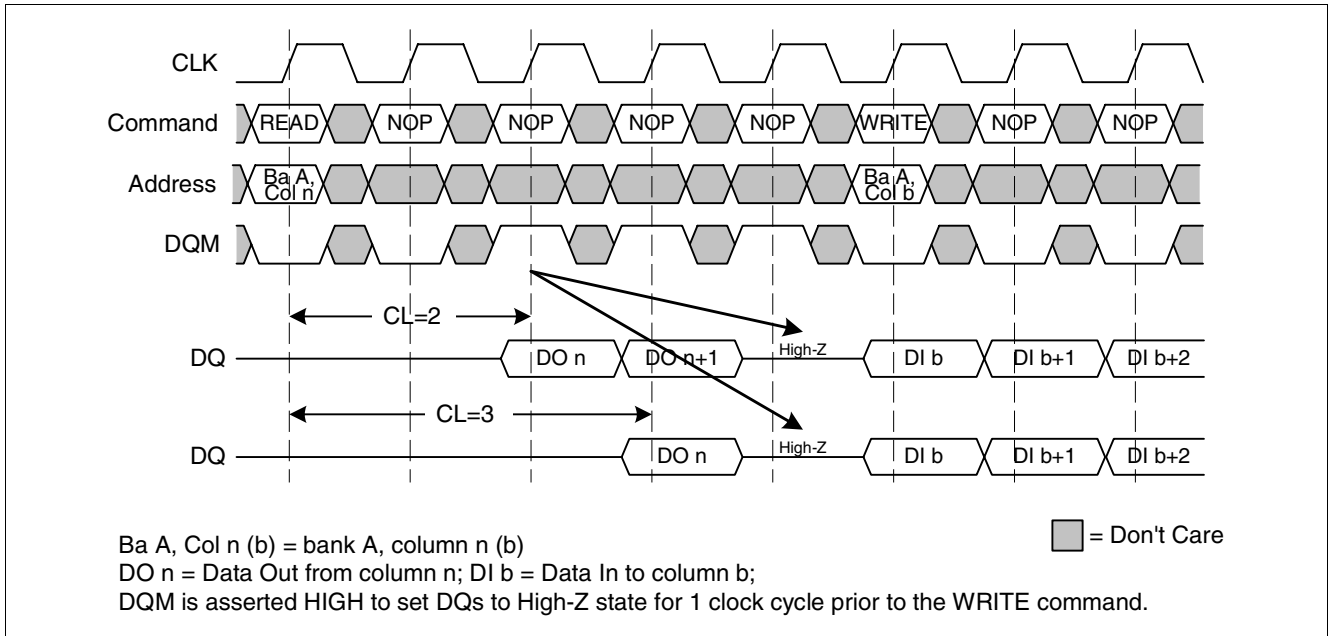


Figure 21 READ to WRITE Timing

2.4.5.5 READ to PRECHARGE

A READ burst may be followed by, or truncated with a PRECHARGE command to the same bank, provided that Auto Precharge was not activated. This is shown in **Figure 22**.

The PRECHARGE command should be issued x clock cycles before the clock edge at which the last desired data element is valid, where x equals the CAS latency for READ bursts minus 1. Following the PRECHARGE command, a subsequent ACTIVE command to the same bank cannot be issued until t_{RP} is met. Please note that part of the row precharge time is hidden during the access of the last data elements.

In the case of a READ being executed to completion, a PRECHARGE command issued at the optimum time (as described above) provides the same operation that would result from the same READ burst with Auto Precharge enabled. The disadvantage of the PRECHARGE command is that it requires that the command and address busses be available at the appropriate time to issue the command. The advantage of the PRECHARGE command is that it can be used to truncate bursts.

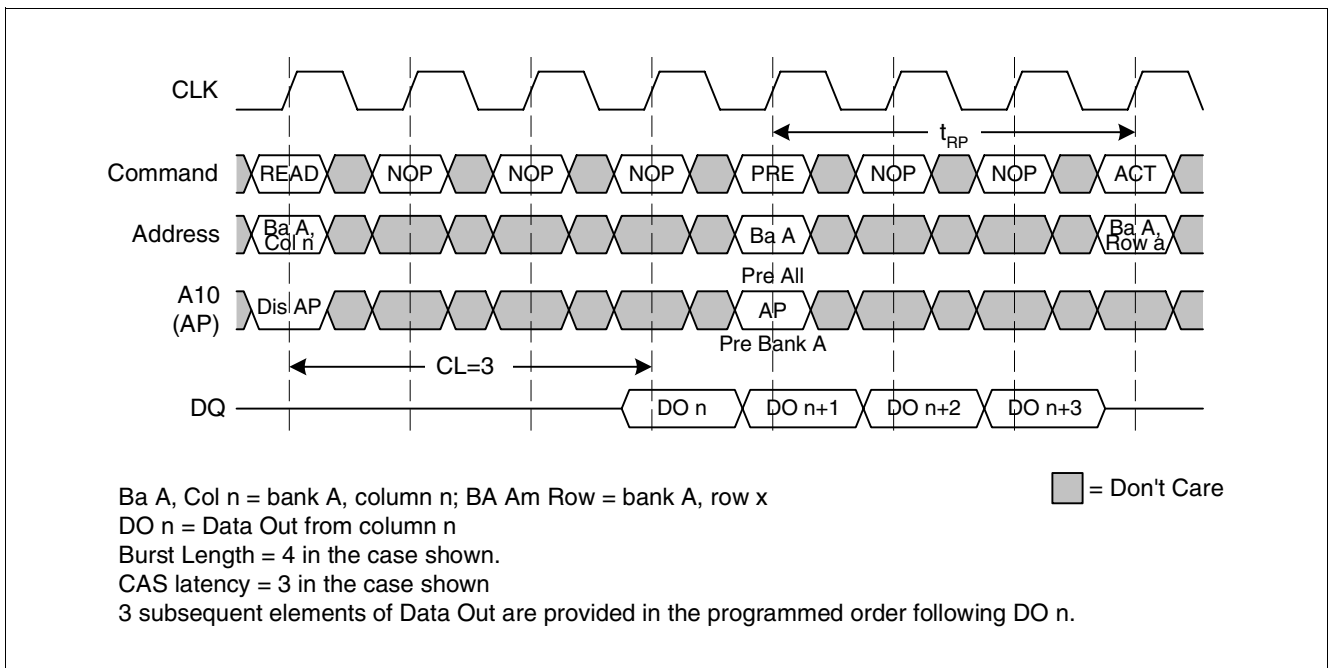


Figure 22 READ to PRECHARGE Timing

2.4.6 WRITE

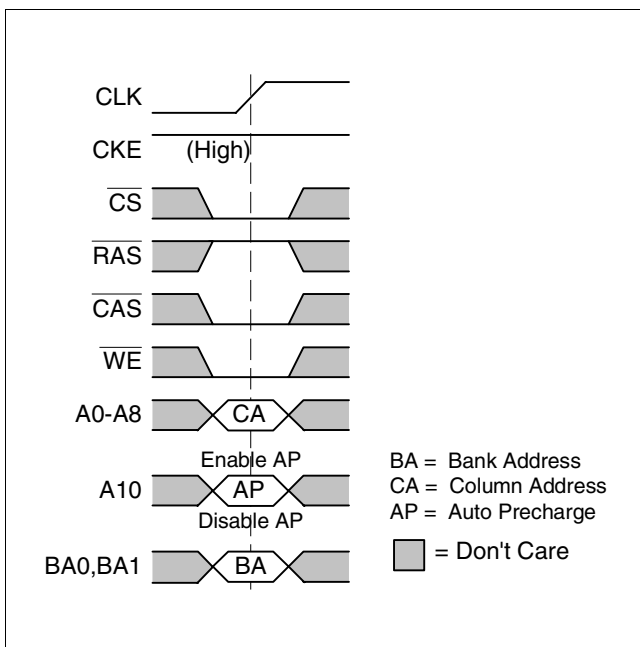


Figure 23 WRITE Command

WRITE bursts are initiated with a WRITE command, as shown in [Figure 23](#). Basic timings for the DQs are shown in [Figure 24](#); they apply to all write operations.

The starting column and bank addresses are provided with the WRITE command, and Auto Precharge is either enabled or disabled for that access. If Auto Precharge is enabled, the row being accessed is precharged at the



completion of the write burst. For the generic WRITE commands used in the following illustrations, Auto Precharge is disabled.

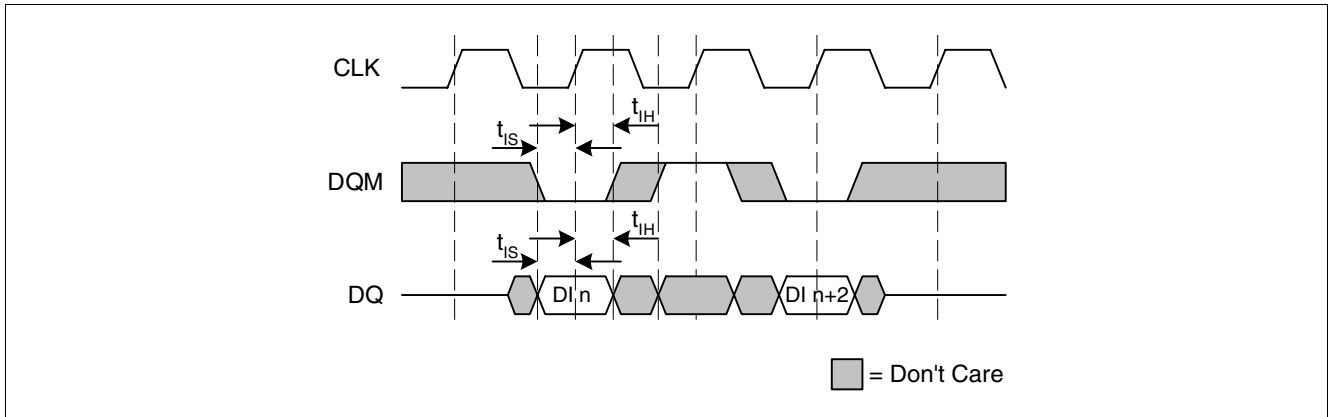


Figure 24 Basic WRITE Timing Parameters for DQs

During WRITE bursts, the first valid data-in element is registered coincident with the WRITE command, and subsequent data elements are registered on each successive positive edge of CLK. Upon completion of a burst, assuming no other commands have been initiated, the DQs remain in High-Z state, and any additional input data is ignored.

[Figure 25](#) and [Figure 26](#) show a single WRITE burst for each supported CAS latency setting.



Table 12 Timing Parameters for WRITE

Parameter	Symbol	- 7.5		Units	Notes
		min.	max.		
DQ and DQM input setup time	t_{IS}	1.5	—	ns	—
DQ input hold time	t_{IH}	0.8	—	ns	—
DQM input hold time		0.5	—	ns	—
DQM write mask latency	t_{DQW}	0	—	t_{CK}	—
ACTIVE to ACTIVE command period	t_{RC}	67	—	ns	1)
ACTIVE to READ or WRITE delay	t_{RCD}	19	—	ns	
ACTIVE to PRECHARGE command period	t_{RAS}	45	100k	ns	
WRITE recovery time	t_{WR}	14	—	ns	
PRECHARGE command period	t_{RP}	19	—	ns	

1) These parameters account for the number of clock cycles and depend on the operating frequency as follows:
 no. of clock cycles = specified delay / clock period; round up to next integer.

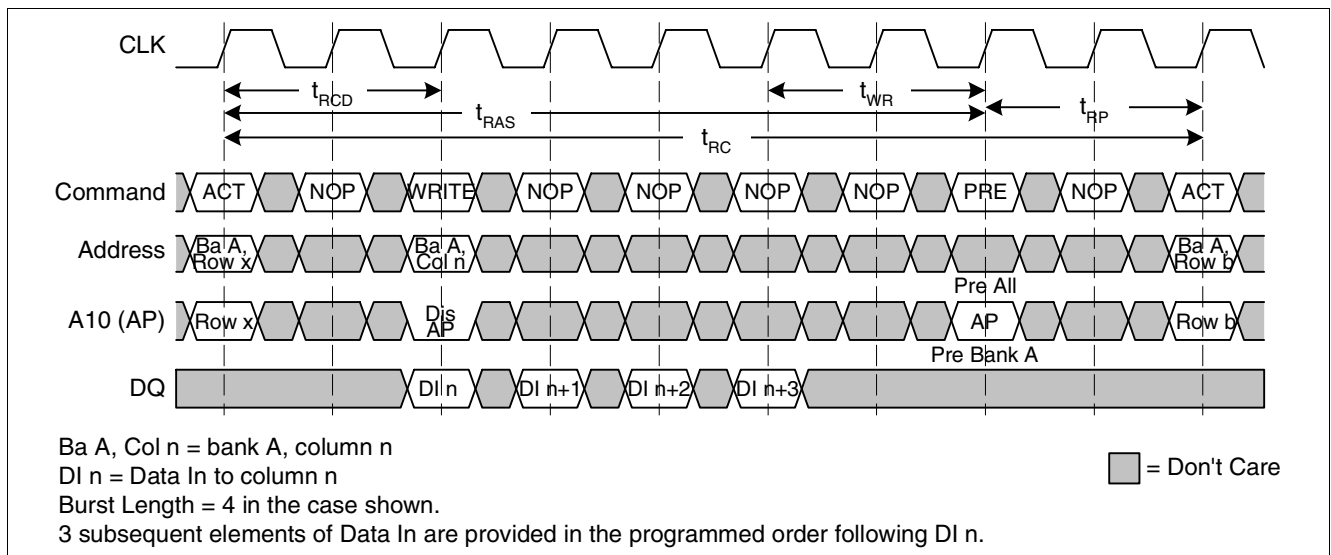


Figure 25 WRITE Burst (CAS Latency = 2)

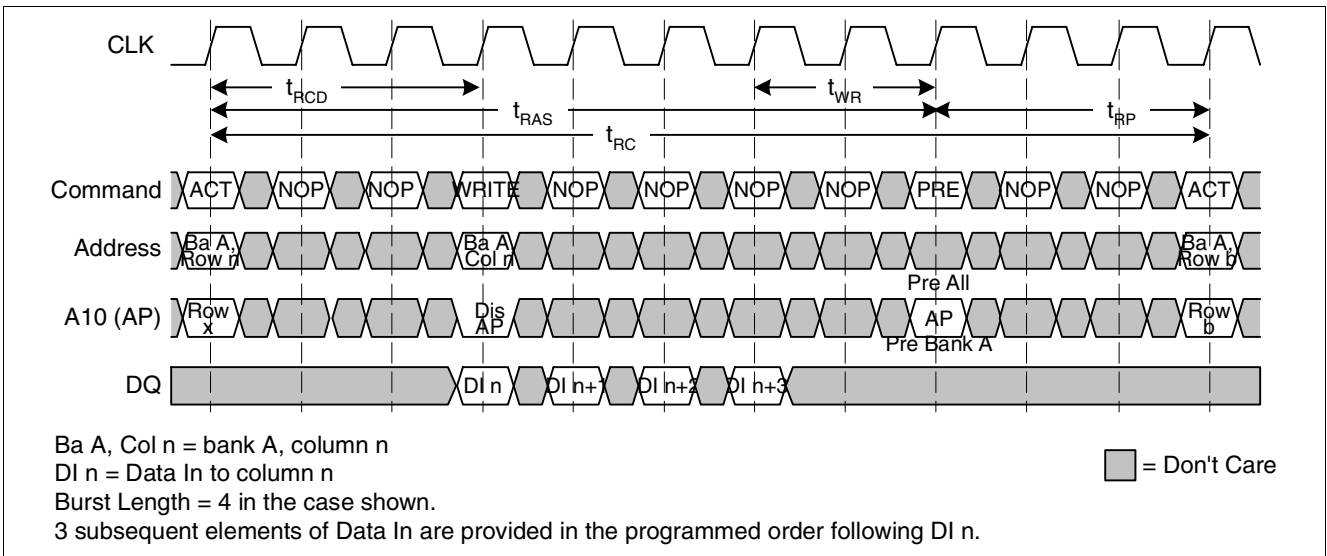


Figure 26 WRITE Burst (CAS Latency = 3)

Data for any WRITE burst may be concatenated with or truncated with a subsequent WRITE command. In either case, a continuous flow of input data can be maintained. A WRITE command can be issued on any positive edge of clock following the previous WRITE command. The first data element from the new burst is applied after either the last element of a completed burst (Figure 27) or the last desired data element of a longer burst which is being truncated (Figure 28). The new WRITE command should be issued x cycles after the first WRITE command, where x equals the number of desired data elements.

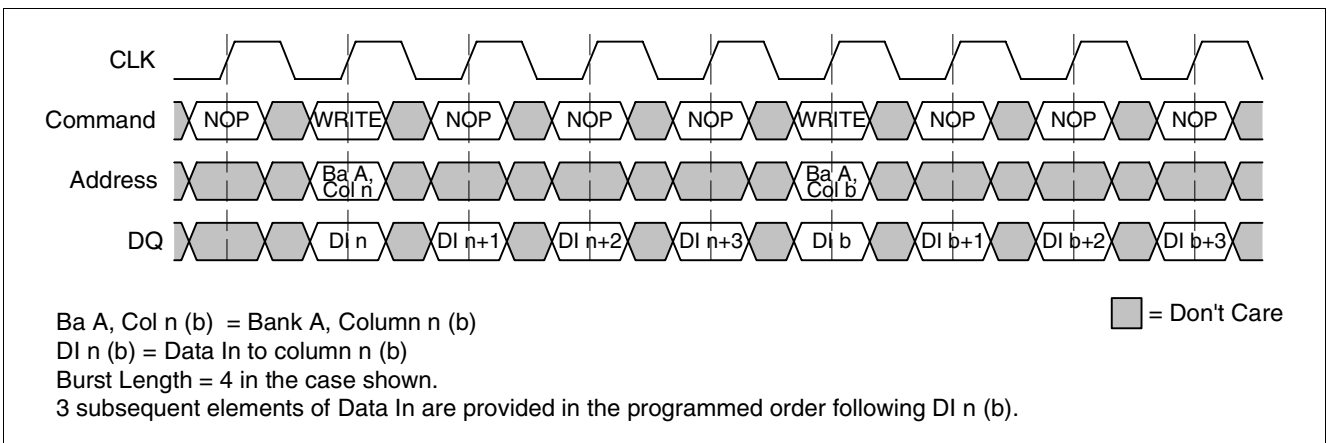


Figure 27 Consecutive WRITE Bursts

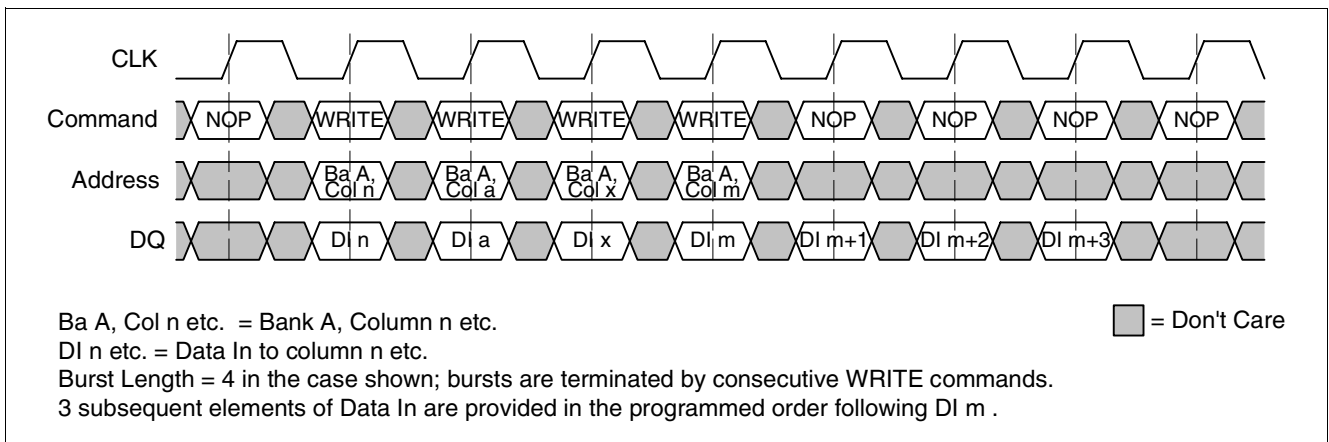


Figure 28 Random WRITE Bursts

Non-consecutive WRITE bursts are shown in [Figure 29](#).

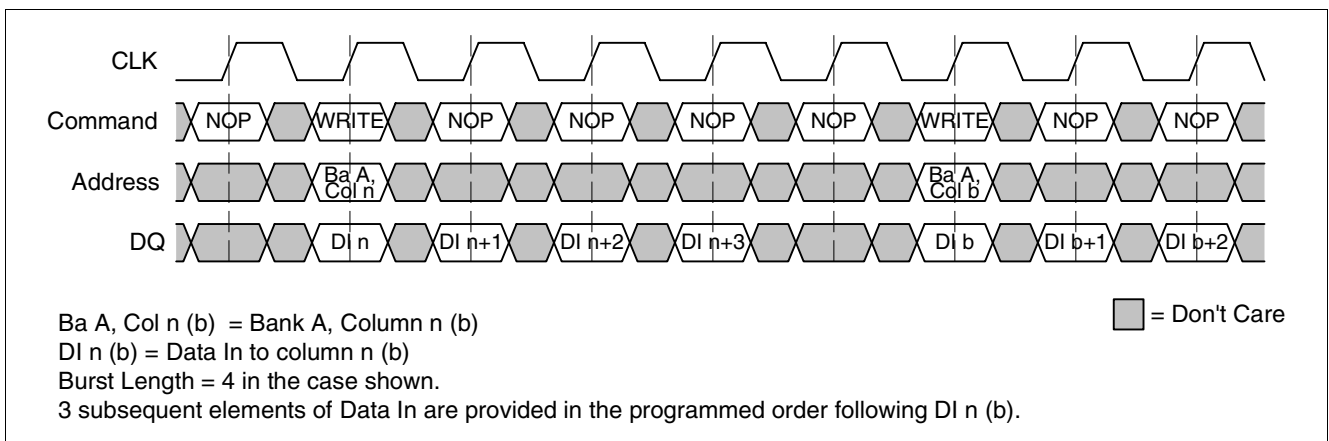


Figure 29 Non-Consecutive WRITE Bursts

2.4.6.1 WRITE Burst Termination

Data from any WRITE burst may be truncated using the BURST TERMINATE command (see [Page 34](#)), provided that Auto Precharge was not activated. The input data provided coincident with the BURST TERMINATE command will be ignored. This is shown in [Figure 30](#). The BURST TERMINATE command may be used to terminate a full-page WRITE which does not self-terminate.

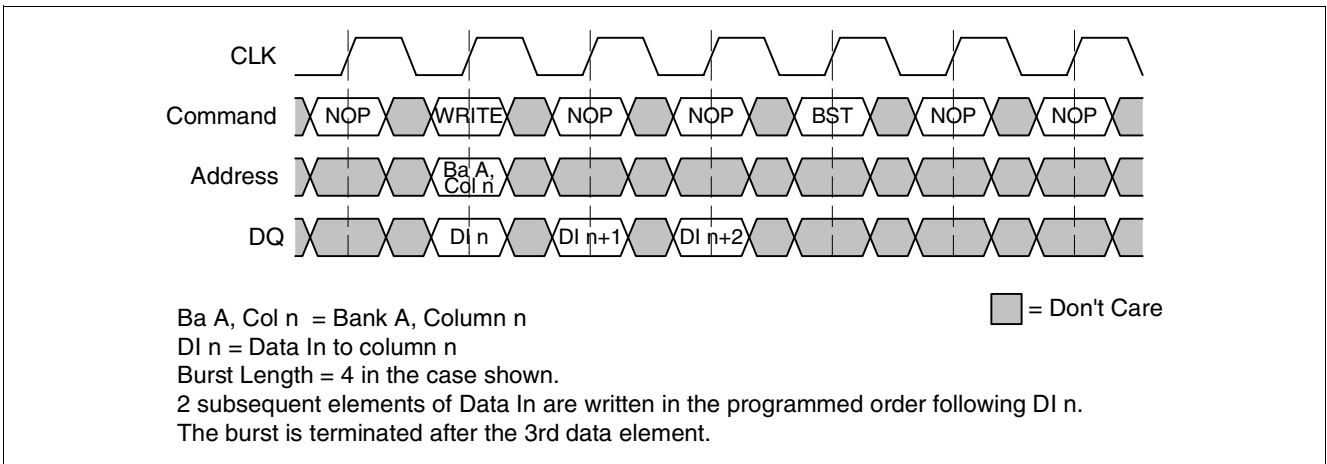


Figure 30 Terminating a WRITE Burst

2.4.6.2 Clock Suspend Mode for WRITE Cycles

Clock suspend mode allows to extend any WRITE burst in progress by a variable number of clock cycles. As long as CKE is registered LOW, the following internal clock pulse(s) will be ignored and no data will be captured, as shown in [Figure 31](#).

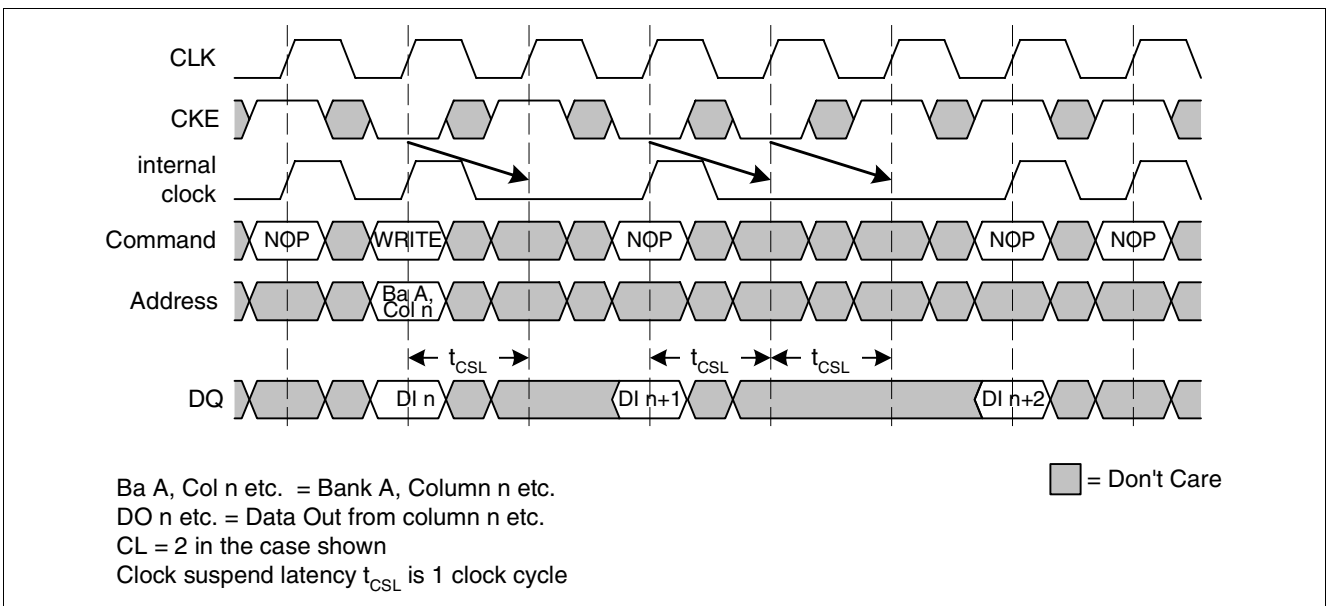


Figure 31 Clock Suspend Mode for WRITE Bursts



2.4.6.3 WRITE - DQM Operation

DQM may be used to mask write data: when asserted HIGH, input data will be masked and no write will be performed. The generic timing parameters as listed in [Table 12](#) also apply to this DQM operation. The write burst in progress is not affected and will continue as programmed.

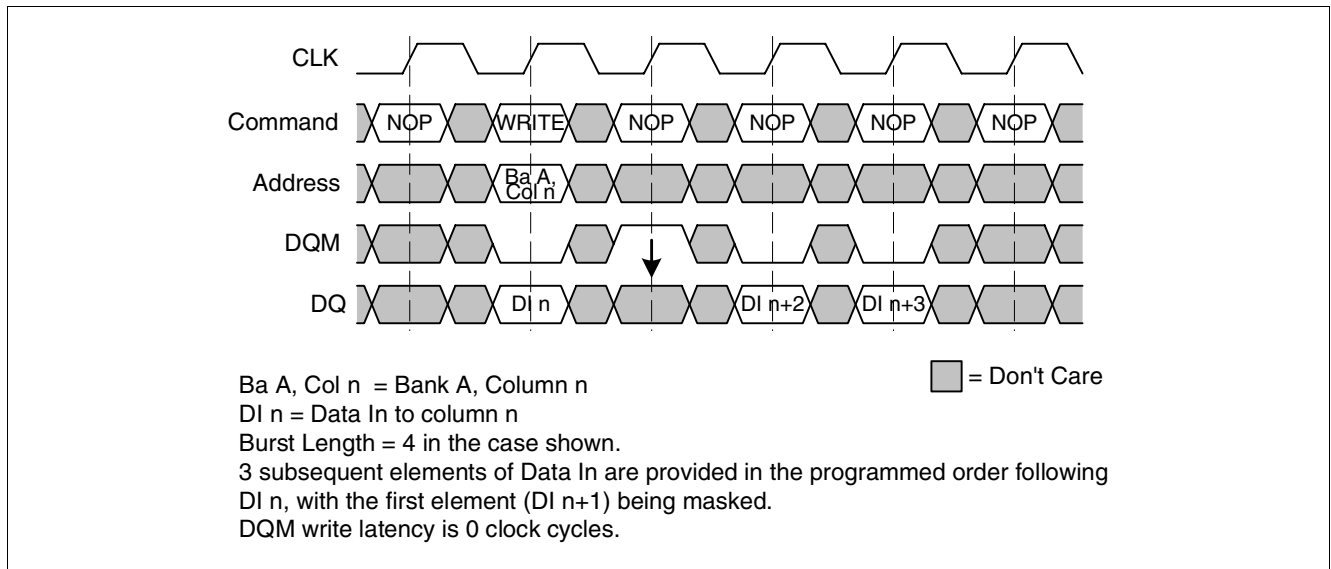


Figure 32 WRITE Burst - DQM Operation

2.4.6.4 WRITE to READ

A WRITE burst may be followed by, or truncated with a READ command. The READ command can be performed to the same or a different (active) bank. With the registration of the READ command, data inputs will be ignored and no WRITE will be performed, as shown in [Figure 33](#).

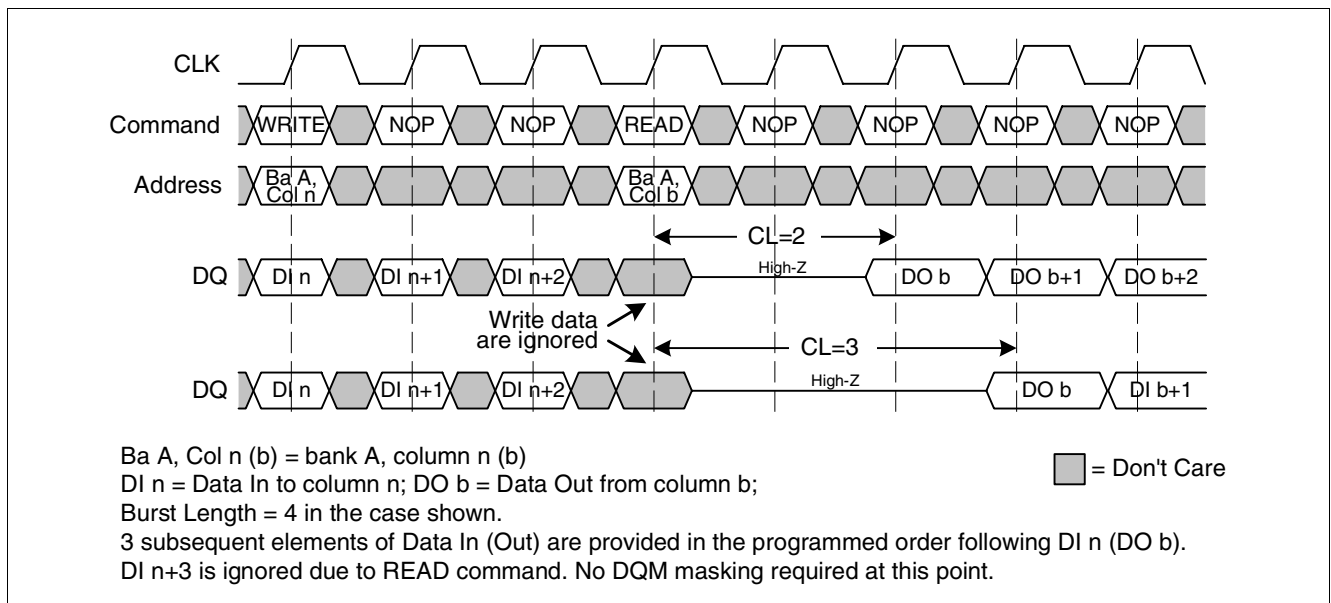


Figure 33 WRITE to READ Timing



2.4.6.5 WRITE to PRECHARGE

A WRITE burst may be followed by, or truncated with a PRECHARGE command to the same bank, provided that Auto Precharge was not activated. This is shown in **Figure 34**.

The PRECHARGE command should be issued t_{WR} after the clock edge at which the last desired data element of the WRITE burst was registered. Additionally, when truncating a WRITE burst, DQM must be pulled to mask input data presented during t_{WR} prior to the PRECHARGE command. Following the PRECHARGE command, a subsequent ACTIVE command to the same bank cannot be issued until t_{RP} is met.

In the case of a WRITE being executed to completion, a PRECHARGE command issued at the optimum time (as described above) provides the same operation that would result from the same WRITE burst with Auto Precharge enabled. The disadvantage of the PRECHARGE command is that it requires that the command and address busses be available at the appropriate time to issue the command. The advantage of the PRECHARGE command is that it can be used to truncate bursts.

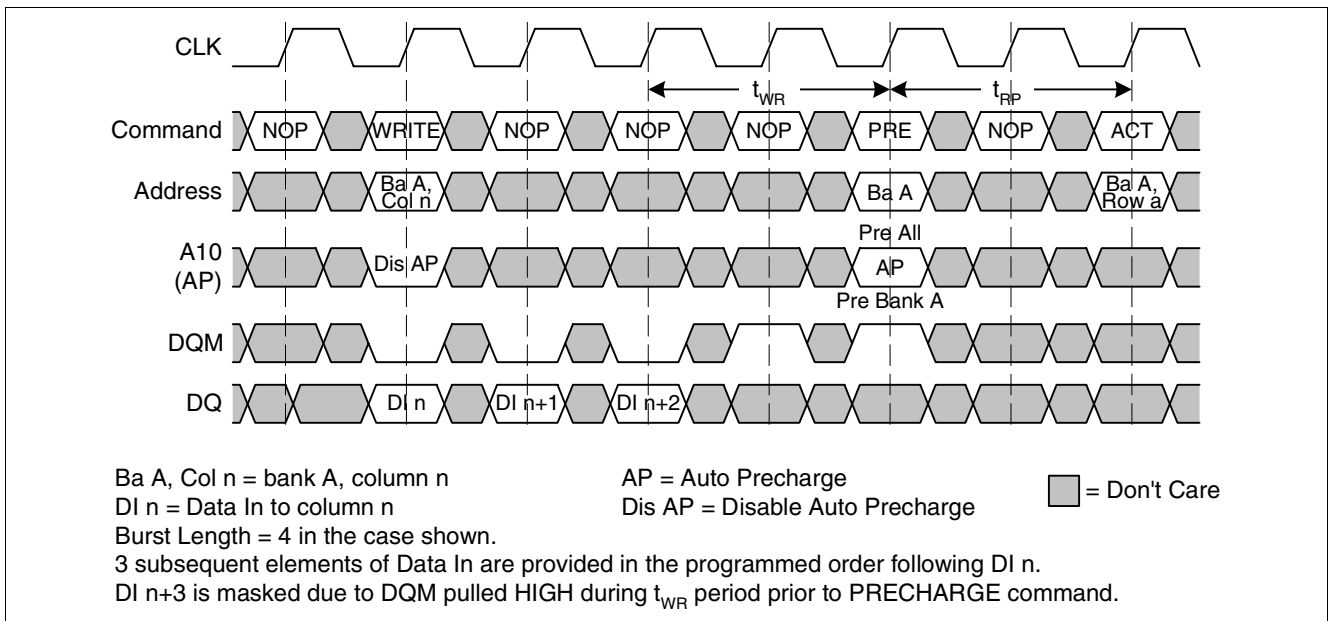


Figure 34 WRITE to PRECHARGE Timing



2.4.7 BURST TERMINATE

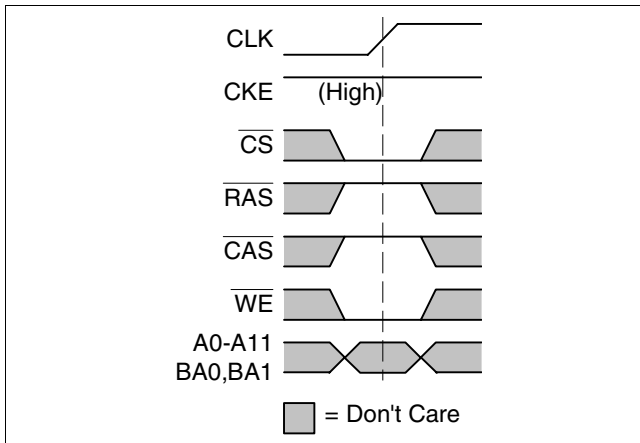


Figure 35 BURST TERMINATE Command

The BURST TERMINATE command is used to truncate READ or WRITE bursts (with Auto Precharge disabled). The most recently registered READ or WRITE command prior to the BURST TERMINATE command will be truncated, as shown in [Figure 18](#) and [Figure 30](#), respectively.

The BURST TERMINATE command is not allowed for truncation of READ or WRITE bursts with Auto Precharge enabled.

2.4.8 PRECHARGE

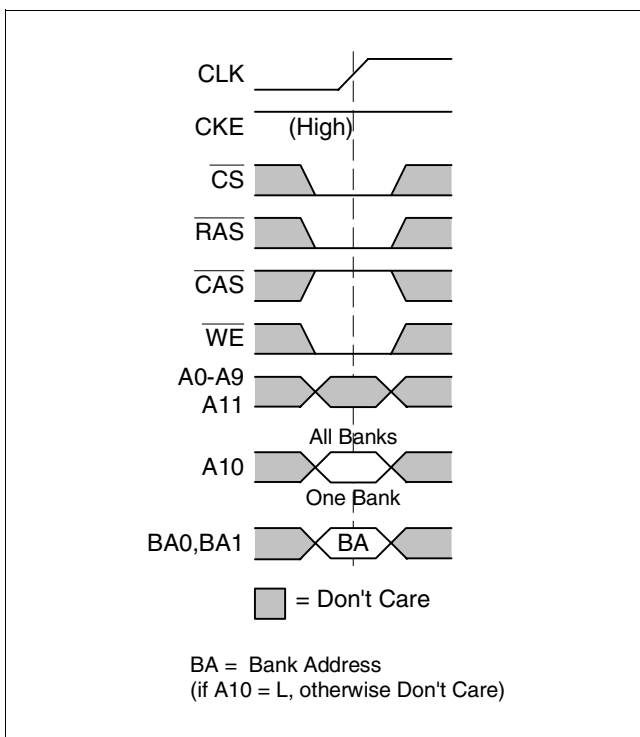


Figure 36 PRECHARGE command



The PRECHARGE command is used to deactivate (close) the open row in a particular bank or the open row in all banks. The bank(s) will be available for a subsequent row access a specified time (t_{RP}) after the PRECHARGE command is issued. Input A10 determines whether one or all banks are to be precharged, and in the case where only one bank is to be precharged, inputs BA0, BA1 select the bank. Otherwise BA0, BA1 are treated as “Don’t Care”.

Once a bank has been precharged, it is in the idle state and must be activated prior to any READ or WRITE commands being issued to that bank. A PRECHARGE command will be treated as a NOP if there is no open row in that bank, or if the previously open row is already in the process of precharging.

2.4.8.1 AUTO PRECHARGE

Auto Precharge is a feature which performs the same individual-bank precharge functions described above, but without requiring an explicit command. This is accomplished by using A10 to enable Auto Precharge in conjunction with a specific READ or WRITE command. A precharge of the bank/row that is addressed with the READ or WRITE command is automatically performed upon completion of the READ or WRITE burst. Auto Precharge is non-persistent in that it is either enabled or disabled for each individual READ or WRITE command. Auto Precharge ensures that the precharge is initiated at the earliest valid stage within a burst. The user must not issue another command to the same bank until the precharge (t_{RP}) is completed. This is determined as if an explicit PRECHARGE command was issued at the earliest possible time, as described for each burst type.

Table 13 Timing Parameters for PRECHARGE

Parameter	Symbol	- 7.5		Units	Notes
		min.	max.		
ACTIVE to PRECHARGE command period	t_{RAS}	45	100k	ns	¹⁾
WRITE recovery time	t_{WR}	14	–	ns	
PRECHARGE command period	t_{RP}	19	–	ns	

1) These parameters account for the number of clock cycles and depend on the operating frequency as follows:
no. of clock cycles = specified delay / clock period; round up to next integer.

2.4.8.2 CONCURRENT AUTO PRECHARGE

A READ or WRITE burst with Auto Precharge enabled can be interrupted by a subsequent READ or WRITE command issued to a different bank.

Figure 37 shows a READ with Auto Precharge to bank n, interrupted by a READ (with or without Auto Precharge) to bank m. The READ to bank m will interrupt the READ to bank n, CAS latency later. The precharge to bank n will begin when the READ to bank m is registered.

Figure 38 shows a READ with Auto Precharge to bank n, interrupted by a WRITE (with or without Auto Precharge) to bank m. The precharge to bank n will begin when the WRITE to bank m is registered. DQM should be pulled HIGH two clock cycles prior to the WRITE to prevent bus contention.

Figure 39 shows a WRITE with Auto Precharge to bank n, interrupted by a READ (with or without Auto Precharge) to bank m. The precharge to bank n will begin t_{WR} after the new command to bank m is registered. The last valid data-in to bank n is one clock cycle prior to the READ to bank m.

Figure 40 shows a WRITE with Auto Precharge to bank n, interrupted by a WRITE (with or without Auto Precharge) to bank m. The precharge to bank n will begin t_{WR} after the WRITE to bank m is registered. The last valid data-in to bank n is one clock cycle prior to the WRITE to bank m.

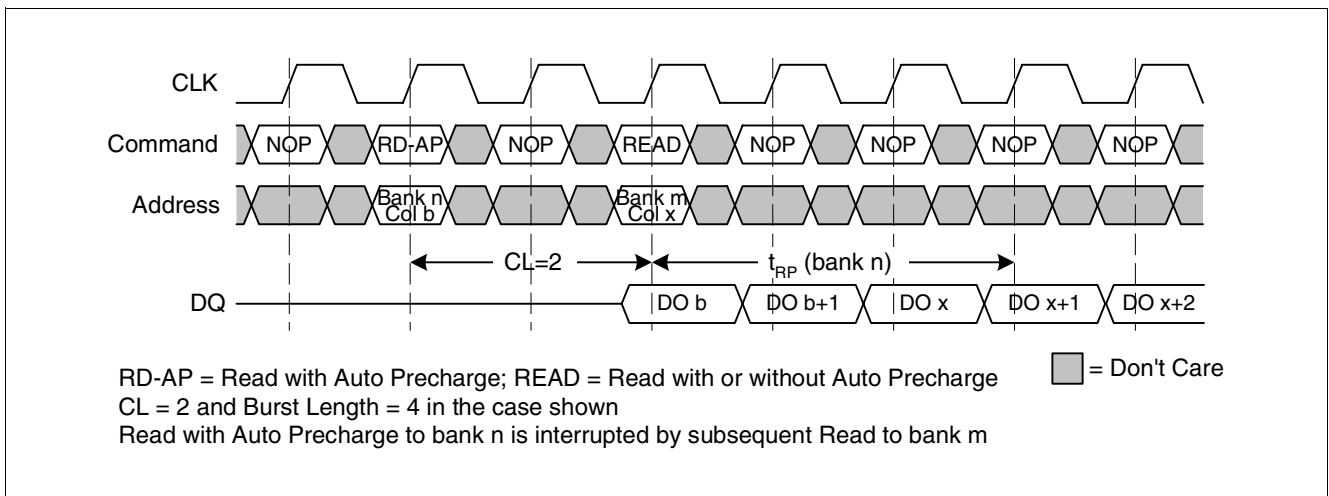


Figure 37 READ with Auto Precharge Interrupted by READ

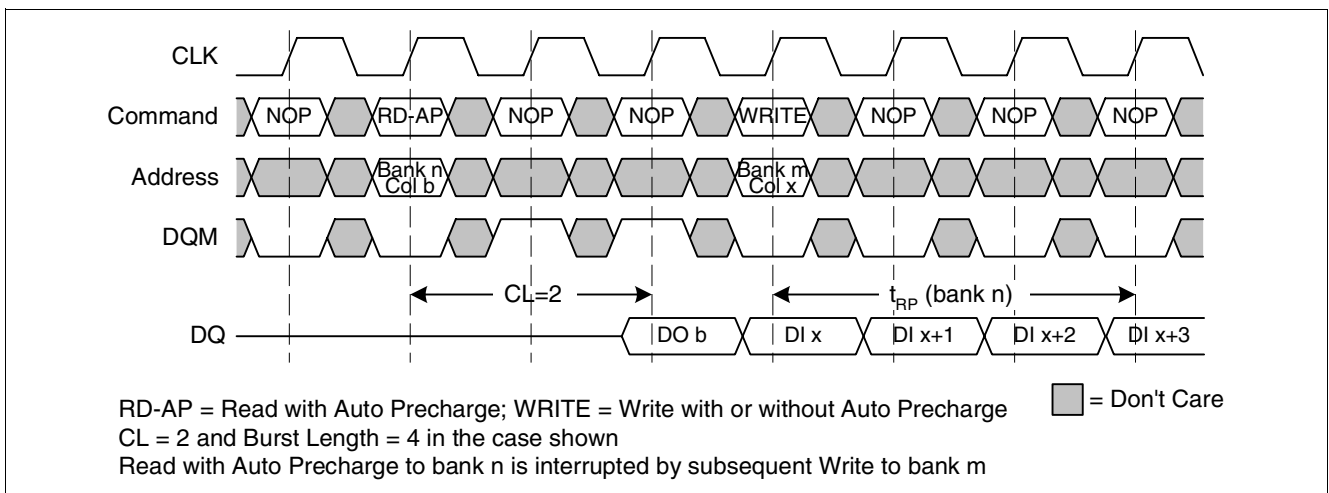


Figure 38 READ with Auto Precharge Interrupted by WRITE

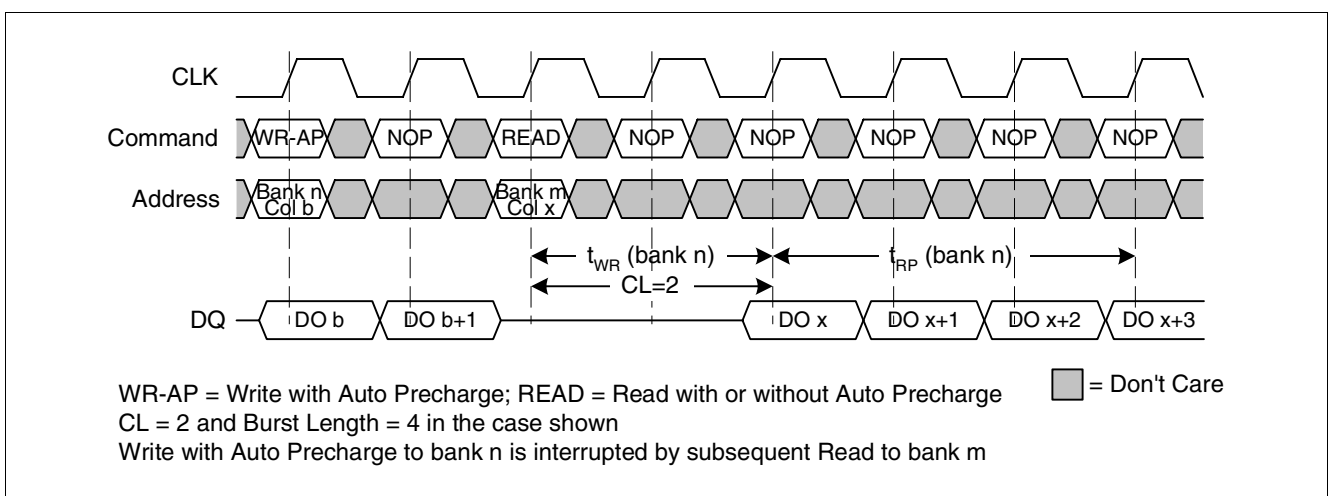


Figure 39 WRITE with Auto Precharge Interrupted by READ

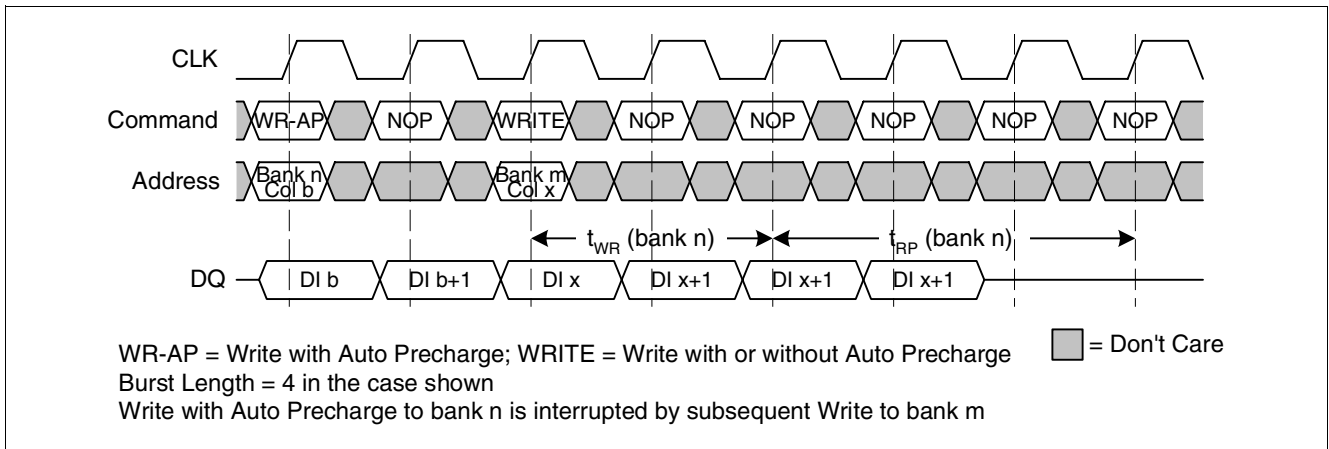


Figure 40 WRITE with Auto Precharge Interrupted by WRITE



2.4.9 AUTO REFRESH and SELF REFRESH

The Mobile-RAM requires a refresh of all rows in a rolling interval. Each refresh is generated in one of two ways: by an explicit AUTO REFRESH command, or by an internally timed event in SELF REFRESH mode.

2.4.9.1 AUTO REFRESH

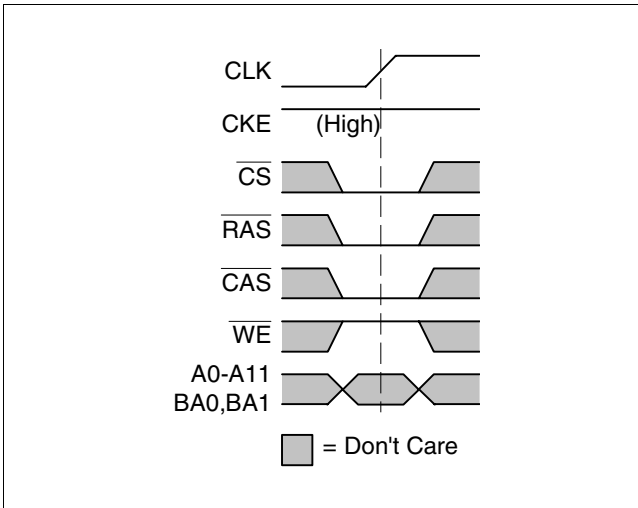


Figure 41 AUTO REFRESH Command

Auto Refresh is used during normal operation of the Mobile-RAM. The command is non persistent, so it must be issued each time a refresh is required. A minimum row cycle time (t_{RC}) is required between two AUTO REFRESH commands. The same rule applies to any access command after the auto refresh operation. All banks must be precharged prior to the AUTO REFRESH command.

The refresh addressing is generated by the internal refresh controller. This makes the address bits “Don’t Care” during an AUTO REFRESH command. The Mobile-RAM requires AUTO REFRESH cycles at an average periodic interval of 7.8 μ s (max.). Partial array mode has no influence on auto refresh mode.

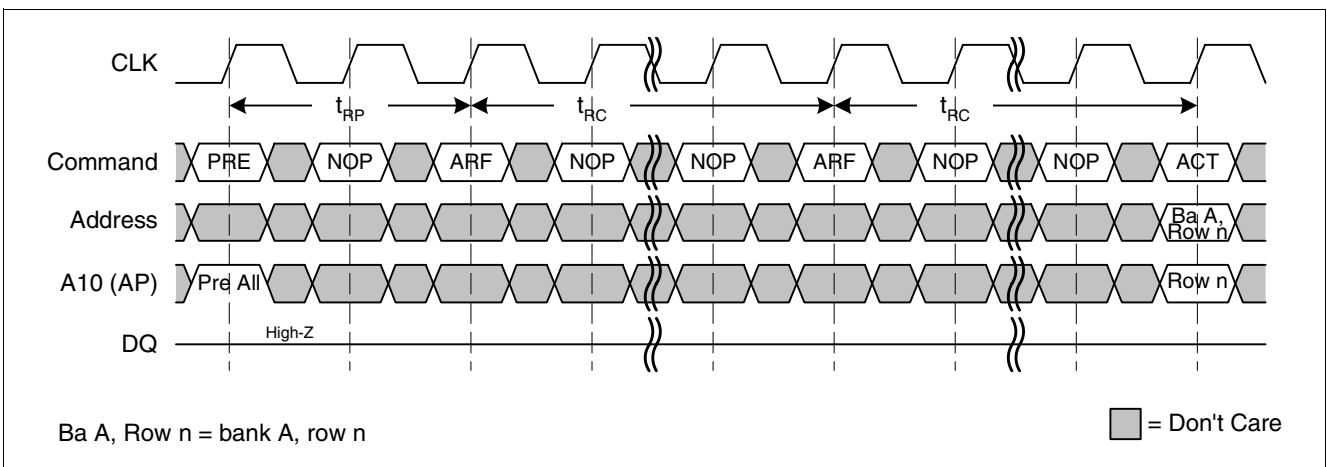


Figure 42 Auto Refresh



2.4.9.2 SELF REFRESH

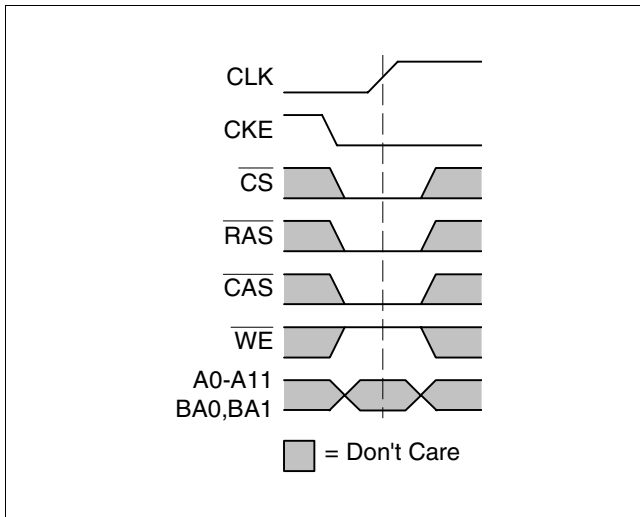


Figure 43 SELF REFRESH Entry Command

The SELF REFRESH command can be used to retain data in the Mobile-RAM, even if the rest of the system is powered down. When in the self refresh mode, the Mobile-RAM retains data without external clocking. The SELF REFRESH command is initiated like an AUTO REFRESH command except CKE is LOW. Input signals except CKE are “Don’t Care” during SELF REFRESH.

The procedure for exiting SELF REFRESH requires a stable clock prior to CKE returning HIGH. Once CKE is HIGH, NOP commands must be issued for t_{RC} because time is required for a completion of any internal refresh in progress.

If during normal operation burst auto refresh or user controlled refresh is used, add 4096 auto refresh cycles just before self refresh entry and just after self refresh exit.

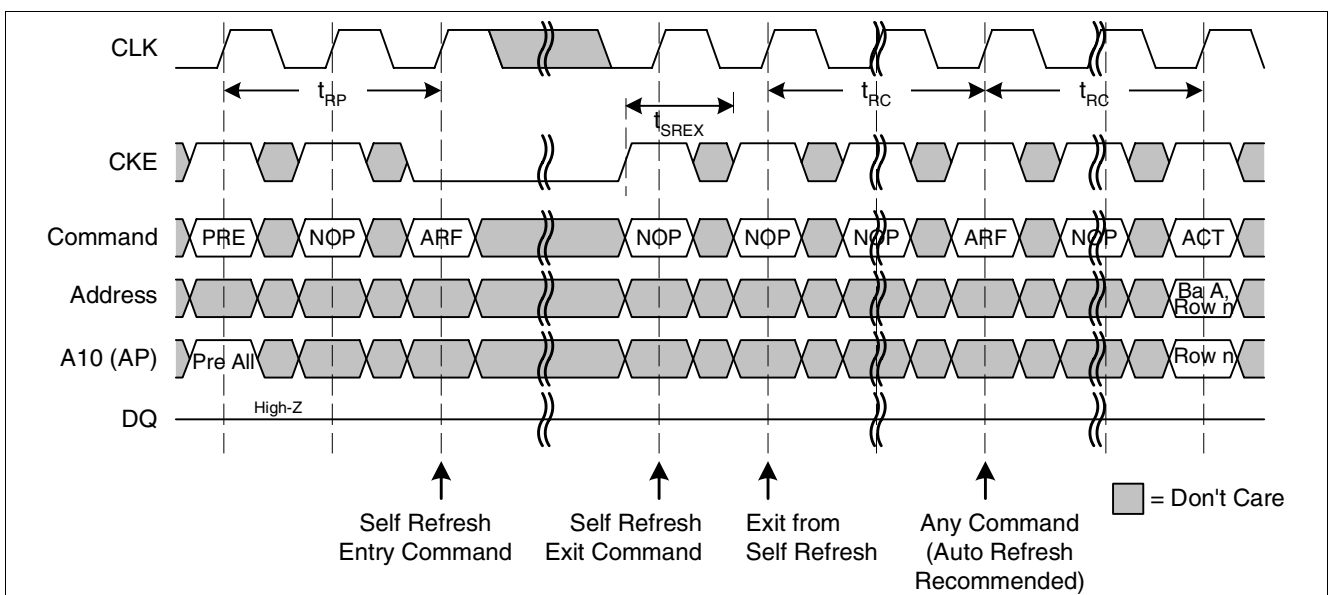


Figure 44 Self Refresh Entry and Exit



Table 14 Timing Parameters for AUTO REFRESH and SELF REFRESH

Parameter	Symbol	- 7.5		Units	Notes
		min.	max.		
ACTIVE to ACTIVE command period	t_{RC}	67	–	ns	1)
PRECHARGE command period	t_{RP}	19	–	ns	
Refresh period (4096 rows)	t_{REF}	–	64	ms	
Self refresh exit time	t_{SREX}	1	–	t_{CK}	

1) These parameters account for the number of clock cycles and depend on the operating frequency as follows:
no. of clock cycles = specified delay / clock period; round up to next integer.

2.4.10 POWER DOWN

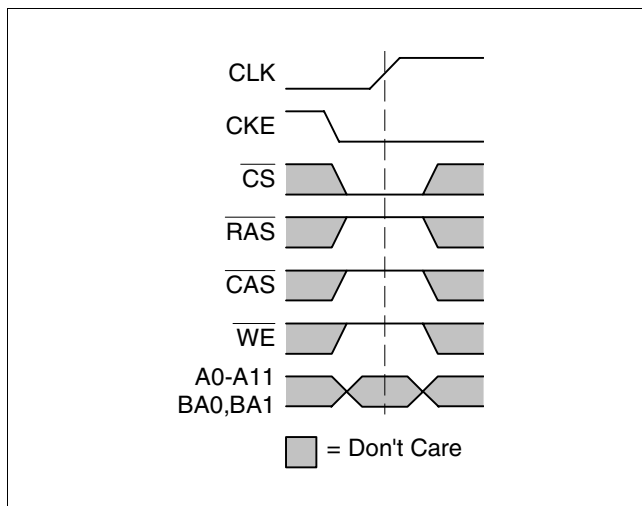


Figure 45 Power Down Entry Command

Power-down is entered when CKE is registered LOW (no accesses can be in progress). If power-down occurs when all banks are idle, this mode is referred to as precharge power-down; if power-down occurs when there is a row active in any bank, this mode is referred to as active power-down. Entering power-down deactivates the input and output buffers, excluding CLK and CKE. CKE LOW must be maintained during power-down.

Power-down duration is limited by the refresh requirements of the device (t_{REF}).

The power-down state is synchronously exited when CKE is registered HIGH (along with a NOP or DESELECT command). One clock delay is required for power down entry and exit.

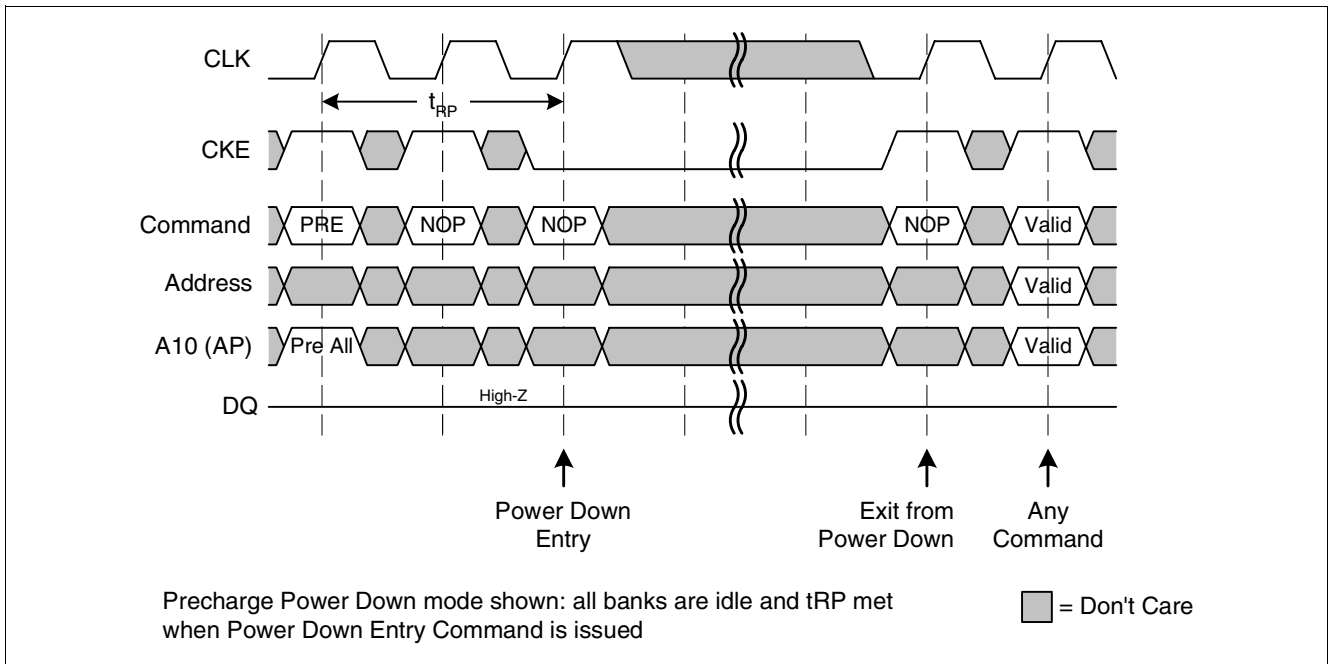


Figure 46 Power Down Entry and Exit

2.4.10.1 DEEP POWER DOWN

The deep power down mode is a unique function on Low Power SDRAM devices with extremely low current consumption. Deep power down mode is entered using the BURST TERMINATE command (cf. Figure 18) except that CKE is LOW. All internal voltage generators inside the device are stopped and all memory data is lost in this mode. To enter the deep power down mode all banks must be precharged.

The deep power down mode is asynchronously exited by asserting CKE HIGH. After the exit, the same command sequence as for power-up initialization, including the 200µs initial pause, has to be applied before any other command may be issued (cf. Figure 3 and Figure 4).

2.5 Function Truth Tables

Table 15 Current State Bank n - Command to Bank n

Current State	CS	RAS	CAS	WE	Command / Action	Notes
Any	H	X	X	X	DESELECT (NOP / continue previous operation)	1)2)3)4)5)6)
	L	H	H	H	NO OPERATION (NOP / continue previous operation)	to
Idle	L	L	H	H	ACTIVE (select and activate row)	to
	L	L	L	H	AUTO REFRESH	to 7)
	L	L	L	L	MODE REGISTER SET	to
	L	L	H	L	PRECHARGE	to , 8)
Row Active	L	H	L	H	READ (select column and start READ burst)	to , 9)
	L	H	L	L	WRITE (select column and start WRITE burst)	to ,
	L	L	H	L	PRECHARGE (deactivate row in bank or banks)	to , 10)



Functional Description Function Truth Tables

Table 15 Current State Bank n - Command to Bank n (cont'd)

Current State	CS	RAS	CAS	WE	Command / Action	Notes
Read (Auto-Precharge Disabled)	L	H	L	H	READ (select column and start new READ burst)	to ,
	L	H	L	L	WRITE (select column and start new WRITE burst)	to ,
	L	L	H	L	PRECHARGE (truncate READ burst, start precharge)	to ,
	L	H	H	L	BURST TERMINATE	to 11)
Write (Auto-Precharge Disabled)	L	H	L	H	READ (select column and start READ burst)	to ,
	L	H	L	L	WRITE (select column and start WRITE burst)	to ,
	L	L	H	L	PRECHARGE (truncate WRITE burst, start precharge)	to ,
	L	H	H	L	BURST TERMINATE	to ,

- 1) This table applies when CKEn-1 was HIGH and CKEn is HIGH and after t_{RC} has been met (if the previous state was self refresh).
- 2) This table is bank-specific, except where noted, i.e., the current state is for a specific bank and the commands shown are those allowed to be issued to that bank when in that state. Exceptions are covered in the notes below.
- 3) Current state definitions:
 Idle: The bank has been precharged, and t_{RP} has been met.
 Row Active: A row in the bank has been activated, and t_{RCD} has been met. No data bursts/accesses and no register accesses are in progress.
 Read: A READ burst has been initiated, with Auto Precharge disabled, and has not yet terminated or been terminated.
 Write: A WRITE burst has been initiated, with Auto Precharge disabled, and has not yet terminated or been terminated.
- 4) The following states must not be interrupted by a command issued to the same bank. DESELECT or NOP commands, or allowable commands to the other bank should be issued on any clock edge occurring during these states. Allowable commands to the other bank are determined by its current state and according to [Table 16](#).
 Precharging: Starts with registration of a PRECHARGE command and ends when t_{RP} is met. Once t_{RP} is met, the bank is in the "idle" state.
 Row Activating: Starts with registration of an ACTIVE command and ends when t_{RCD} is met. Once t_{RCD} is met, the bank is in the "row active" state.
 Read with AP
 Enabled: Starts with registration of a READ command with Auto Precharge enabled and ends when t_{RP} has been met. Once t_{RP} is met, the bank is in the idle state.
 Write with AP
 Enabled: Starts with registration of a WRITE command with Auto Precharge enabled and ends when t_{RP} has been met. Once t_{RP} is met, the bank is in the idle state.
- 5) The following states must not be interrupted by any executable command; DESELECT or NOP commands must be applied on each positive clock edge during these states.
 Refreshing: Starts with registration of an AUTO REFRESH command and ends when t_{RC} is met. Once t_{RC} is met, the SDRAM is in the "all banks idle" state.
 Accessing Mode
 Register: Starts with registration of a MODE REGISTER SET command and ends when t_{MRD} has been met. Once t_{MRD} is met, the SDRAM is in the "all banks idle" state.
 Precharging All: Starts with registration of a PRECHARGE ALL command and ends when t_{RP} is met. Once t_{RP} is met, all banks are in the idle state.
- 6) All states and sequences not shown are illegal or reserved.
- 7) Not bank-specific; requires that all banks are idle and no bursts are in progress.
- 8) Same as NOP command in that state.
- 9) READs or WRITEs listed in the Command/Action column include READs or WRITEs with Auto Precharge enabled and READs or WRITEs with Auto Precharge disabled.
- 10) May or may not be bank-specific; if multiple banks are to be precharged, each must be in a valid state for precharging.
- 11) Not bank-specific; BURST TERMINATE affects the most recent READ or WRITE burst, regardless of bank.



Functional Description Function Truth Tables

Table 16 Current State Bank n - Command to Bank m (different bank)

Current State	CS	RAS	CAS	WE	Command / Action	Notes
Any	H	X	X	X	DESELECT (NOP / continue previous operation)	1)2)3)4)5)6)
	L	H	H	H	NO OPERATION (NOP / continue previous operation)	to
Idle	X	X	X	X	Any command otherwise allowed to bank n	to
Row	L	L	H	H	ACTIVE (select and activate row)	to
Activating, Active, or Precharging	L	H	L	H	READ (select column and start READ burst)	to 7)
	L	H	L	L	WRITE (select column and start WRITE burst)	to
	L	L	H	L	PRECHARGE (deactivate row in bank or banks)	to
Read (Auto- Precharge Disabled)	L	L	H	H	ACTIVE (select and activate row)	to
	L	H	L	H	READ (select column and start READ burst)	to
	L	H	L	L	WRITE (select column and start WRITE burst)	to 8)
	L	L	H	L	PRECHARGE (deactivate row in bank or banks)	to
Write (Auto- Precharge Disabled)	L	L	H	H	ACTIVE (select and activate row)	to
	L	H	L	H	READ (select column and start READ burst)	to
	L	H	L	L	WRITE (select column and start WRITE burst)	to
	L	L	H	L	PRECHARGE (deactivate row in bank or banks)	to
Read (with Auto- Precharge)	L	L	H	H	ACTIVE (select and activate row)	to
	L	H	L	H	READ (select column and start READ burst)	to , 9)
	L	H	L	L	WRITE (select column and start WRITE burst)	to
	L	L	H	L	PRECHARGE (deactivate row in bank or banks)	to
Write (with Auto- Precharge)	L	L	H	H	ACTIVE (select and activate row)	to
	L	H	L	H	READ (select column and start READ burst)	to ,
	L	H	L	L	WRITE (select column and start WRITE burst)	to ,
	L	L	H	L	PRECHARGE (deactivate row in bank or banks)	to

- 1) This table applies when CKEn-1 was HIGH and CKEn is HIGH and after t_{RC} has been met (if the previous state was Self Refresh).
- 2) This table describes alternate bank operation, except where noted, i.e., the current state is for bank n and the commands shown are those allowed to be issued to bank m (assuming that bank m is in such a state that the given command is allowable). Exceptions are covered in the notes below.
- 3) Current state definitions:
 Idle: The bank has been precharged, and t_{RP} has been met.
 Row Active: A row in the bank has been activated, and t_{RCD} has been met. No data bursts/accesses and no register accesses are in progress.
 Read: A READ burst has been initiated, with Auto Precharge disabled, and has not yet terminated or been terminated.
 Write: A WRITE burst has been initiated, with Auto Precharge disabled, and has not yet terminated or been terminated.
 Read with AP
 Enabled: Starts with registration of a READ command with Auto Precharge enabled and ends when t_{RP} has been met. Once t_{RP} is met, the bank is in the idle state.
 Write with AP
 Enabled: Starts with registration of a WRITE command with Auto Precharge enabled and ends when t_{RP} has been met. Once t_{RP} is met, the bank is in the idle state.
- 4) AUTO REFRESH, SELF REFRESH and MODE REGISTER SET commands may only be issued when all banks are idle.
- 5) A BURST TERMINATE command cannot be issued to another bank; it applies to the bank represented by the current state only.
- 6) All states and sequences not shown are illegal or reserved.



Functional Description Function Truth Tables

- 7) READS or WRITES listed in the Command/Action column include READs or WRITEs with Auto Precharge enabled and READs or WRITEs with Auto Precharge disabled.
- 8) Requires appropriate DQM masking.
- 9) Concurrent Auto Precharge: bank n will start precharging when its burst has been interrupted by a READ or WRITE command to bank m.

Table 17 Truth Table - CKE

CKEn-1	CKEn	Current State	Command	Action	Notes
L	L	Power Down	X	Maintain Power Down	1)2)3)4)
		Self Refresh	X	Maintain Self Refresh	to
		Clock Suspend	X	Maintain Clock Suspend	to
		Deep Power Down	X	Maintain Deep Power Down	to
L	H	Power Down	DESELECT or NOP	Exit Power Down	to
		Self Refresh	DESELECT or NOP	Exit Self Refresh	to 5)
		Clock Suspend	X	Exit Clock Suspend	to
		Deep Power Down	X	Exit Deep Power Down	to , 6)
H	L	All Banks Idle	DESELECT or NOP	Enter Precharge Power Down	to
		Bank(s) Active	DESELECT or NOP	Enter Active Power Down	to
		All Banks Idle	AUTO REFRESH	Enter Self Refresh	to
		Read / Write burst	(valid)	Enter Clock Suspend	to
H	H	see Table 15 and Table 16			to

- 1) CKEn is the logic state of CKE at clock edge n; CKEn-1 was the state of CKE at the previous clock edge.
- 2) Current state is the state immediately prior to clock edge n.
- 3) COMMAND n is the command registered at clock edge n; ACTION n is a result of COMMAND n.
- 4) All states and sequences not shown are illegal or reserved.
- 5) DESELECT or NOP commands should be issued on any clock edges occurring during t_{RC} period.
- 6) Exit from DEEP POWER DOWN requires the same command sequence as for power-up initialization.



3 Electrical Characteristics

3.1 Operating Conditions

Table 18 Absolute Maximum Ratings

Parameter	Symbol	Values		Unit	
		min.	max.		
Power Supply Voltage	V_{DD}	-0.3	2.7	V	
Power Supply Voltage for Output Buffer	V_{DDQ}	-0.3	2.7	V	
Input Voltage	V_{IN}	-0.3	$V_{DDQ} + 0.3$	V	
Output Voltage	V_{OUT}	-0.3	$V_{DDQ} + 0.3$	V	
Operation Case Temperature	Commercial	T_C	0	+70	°C
	Extended	T_C	-25	+85	°C
Storage Temperature	T_{STG}	-55	+150	°C	
Power Dissipation	P_D	–	0.7	W	
Short Circuit Output Current	I_{OUT}	–	50	mA	

Attention: Stresses above those listed here may cause permanent damage to the device. Exposure to absolute maximum rating conditions for extended periods may affect device reliability. Maximum ratings are absolute ratings; exceeding only one of these values may cause irreversible damage to the integrated circuit.

Table 19 Pin Capacitances¹⁾²⁾

Parameter	Symbol	Values		Unit
		min.	max.	
Input capacitance: CLK	C_{I1}	1.5	3.0	pF
Input capacitance: all other input pins	C_{I2}	1.5	3.0	pF
Input/Output capacitance: DQ	C_{IO}	3.0	5.0	pF

- 1) These values are not subject to production test but verified by device characterization.
- 2) Input capacitance is measured according to JEP147 with VDD, VDDQ applied and all other pins (except the pin under test) floating. DQ's should be in high impedance state. This may be achieved by pulling CKE to low level.



Electrical Characteristics AC Characteristics

Table 20 Electrical Characteristics¹⁾

Parameter	Symbol	Values		Unit	Notes
		min.	max.		
Power Supply Voltage	V_{DD}	1.70	1.95	V	—
Power Supply Voltage for DQ Output Buffer	V_{DDQ}	1.70	1.95	V	—
Input high voltage	V_{IH}	$0.8 \times V_{DDQ}$	$V_{DDQ} + 0.3$	V	²⁾
Input low voltage	V_{IL}	-0.3	0.3	V	
Output high voltage ($I_{OH} = -0.1$ mA)	V_{OH}	$V_{DDQ} - 0.2$	—	V	—
Output low voltage ($I_{OL} = 0.1$ mA)	V_{OL}	—	0.2	V	—
Input leakage current	I_{IL}	-1.0	1.0	μ A	—
Output leakage current	I_{OL}	-1.5	1.5	μ A	—

1) $0\text{ }^{\circ}\text{C} \leq T_C \leq 70\text{ }^{\circ}\text{C}$ (comm.); $-25\text{ }^{\circ}\text{C} \leq T_C \leq 85\text{ }^{\circ}\text{C}$ (ext.); all voltages referenced to V_{SS} . V_{SS} and V_{SSQ} must be at same potential.

2) V_{IH} may overshoot to $V_{DD} + 0.8$ V for pulse width < 4 ns; V_{IL} may undershoot to -0.8 V for pulse width < 4 ns. Pulse width measured at 50% with amplitude measured between peak voltage and DC reference level.

3.2 AC Characteristics

Table 21 AC Characteristics¹⁾²⁾³⁾⁴⁾

Parameter	Symbol	- 7.5		Unit	Notes	
		min.	max.			
Clock cycle time	CL = 3	t_{CK}	7.5	—	ns	—
	CL = 2		9.5	—	ns	
Clock frequency	CL = 3	f_{CK}	—	133	MHz	—
	CL = 2		—	105	MHz	
Access time from CLK	CL = 3	t_{AC}	—	5.4	ns	⁵⁾⁶⁾
	CL = 2		—	6.0	ns	
Clock high-level width	t_{CH}		2.5	—	ns	—
Clock low-level width	t_{CL}		2.5	—	ns	—
Address, data and command input setup time	t_{IS}		1.5	—	ns	⁷⁾
Address and command input hold time	t_{IH}		0.5	—	ns	
Data (DQ) input hold time			0.8	—	ns	
MODE REGISTER SET command period	t_{MRD}		2	—	t_{CK}	—
DQ low-impedance time from CLK	t_{LZ}		1.0	—	ns	—
DQ high-impedance time from CLK	t_{HZ}		3.0	7.0	ns	—
Data out hold time	t_{OH}		2.5	—	ns	
DQM to DQ High-Z delay (READ Commands)	t_{DQZ}		—	2	t_{CK}	—
DQM write mask latency	t_{DQW}		0	—	t_{CK}	—
ACTIVE to ACTIVE command period	t_{RC}		67	—	ns	⁸⁾
ACTIVE to READ or WRITE delay	t_{RCD}		19	—	ns	
ACTIVE bank A to ACTIVE bank B delay	t_{RRD}		15	—	ns	
ACTIVE to PRECHARGE command period	t_{RAS}		45	100k	ns	



Electrical Characteristics AC Characteristics

Table 21 AC Characteristics¹⁾²⁾³⁾⁴⁾ (cont'd)

Parameter	Symbol	- 7.5		Unit	Notes
		min.	max.		
WRITE recovery time	t_{WR}	14	—	ns	9)
PRECHARGE command period	t_{RP}	19	—	ns	
Refresh period (4096 rows)	t_{REF}	—	64	ms	—
Self refresh exit time	t_{SREX}	1	—	t_{CK}	—

- 1) $0\text{ }^{\circ}\text{C} \leq T_C \leq 70\text{ }^{\circ}\text{C}$ (comm.); $-25\text{ }^{\circ}\text{C} \leq T_C \leq 85\text{ }^{\circ}\text{C}$ (ext.); $V_{DD} = V_{DDQ} = 1.70\text{V}$ to 1.95V ;
- 2) All parameters assumes proper device initialization.
- 3) AC timing tests measured at 0.9 V .
- 4) The transition time is measured between V_{IH} and V_{IL} ; all AC characteristics assume $t_T = 1\text{ ns}$.
- 5) Specified t_{AC} and t_{OH} parameters are measured with a 30 pF capacitive load only as shown in [Figure 47](#).
- 6) If $t_T(\text{CLK}) > 1\text{ ns}$, a value of $(t_T/2 - 0.5)\text{ ns}$ has to be added to this parameter.
- 7) If $t_T > 1\text{ ns}$, a value of $[0.5 \times (t_T - 1)]\text{ ns}$ has to be added to this parameter.
- 8) These parameter account for the number of clock cycles and depend on the operating frequency, as follows:
no. of clock cycles = specified delay / clock period; round up to next integer.
- 9) The write recovery time of $t_{WR} = 14\text{ ns}$ allows the use of one clock cycle for the write recovery time when $f_{CK} \leq 72\text{ MHz}$.
With $f_{CK} > 72\text{ MHz}$ two clock cycles for t_{WR} are mandatory. Qimonda recommends to use two clock cycles for the write recovery time in all applications.

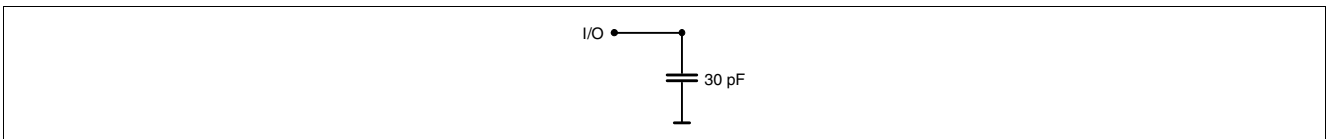


Figure 47 Test Load for DQ Pins



3.3 Operating Currents

Table 22 Maximum Operating Currents¹⁾

Parameter & Test Conditions	Symbol	Values	Unit	Notes
		- 7.5		
Operating current: one bank: active / read / precharge, BL = 1, $t_{RC} = t_{RCmin}$	I_{DD1}	60	mA	2)3)
Precharge power-down standby current: all banks idle, $\overline{CS} \geq V_{IHmin}$, $CKE \leq V_{ILmax}$, inputs changing once every two clock cycles	I_{DD2P}	0.6	mA	
Precharge power-down standby current with clock stop: all banks idle, $\overline{CS} \geq V_{IHmin}$, $CKE \leq V_{ILmax}$, all inputs stable	I_{DD2PS}	0.5	mA	—
Precharge non power-down standby current: all banks idle, $\overline{CS} \geq V_{IHmin}$, $CKE \geq V_{IHmin}$, inputs changing once every two clock cycles	I_{DD2N}	13	mA	
Precharge non power-down standby current with clock stop: all banks idle, $\overline{CS} \geq V_{IHmin}$, $CKE \geq V_{IHmin}$, all inputs stable	I_{DD2NS}	1.0	mA	—
Active power-down standby current: one bank active, $\overline{CS} \geq V_{IHmin}$, $CKE \leq V_{ILmax}$, inputs changing once every two clock cycles	I_{DD3P}	1.0	mA	
Active power-down standby current with clock stop: one bank active, $\overline{CS} \geq V_{IHmin}$, $CKE \leq V_{ILmax}$, all inputs stable	I_{DD3PS}	0.75	mA	—
Active non power-down standby current: one bank active, $\overline{CS} \geq V_{IHmin}$, $CKE \geq V_{IHmin}$, inputs changing once every two clock cycles	I_{DD3N}	15	mA	
Active non power-down standby current with clock stop: one bank active, $\overline{CS} \geq V_{IHmin}$, $CKE \geq V_{IHmin}$, all inputs stable	I_{DD3NS}	1.5	mA	—
Operating burst read current: all banks active; continuous burst read, inputs changing once every two clock cycles	I_{DD4}	45	mA	
Auto-Refresh current: $t_{RC} = t_{RCmin}$, “burst refresh”, inputs changing once every two clock cycles	I_{DD5}	90	mA	
Self Refresh current: self refresh mode, $\overline{CS} \geq V_{IHmin}$, $CKE \leq V_{ILmax}$, all inputs stable	I_{DD6}	see Table 23		—
Deep Power Down current	I_{DD7}	20	μA	—

1) $0\text{ }^{\circ}\text{C} \leq T_C \leq 70\text{ }^{\circ}\text{C}$ (comm.); $-25\text{ }^{\circ}\text{C} \leq T_C \leq 85\text{ }^{\circ}\text{C}$ (ext.); $V_{DD} = V_{DDQ} = 1.70\text{V}$ to 1.95V ;
 Recommended Operating Conditions unless otherwise noted

2) These values are measured with $t_{CK} = 7.5\text{ ns}$

3) All parameters are measured with no output loads.



Electrical Characteristics Pull-up and Pull-down Characteristics

Table 23 Self Refresh Currents¹⁾²⁾

Parameter & Test Conditions	Max. Temperature	Symbol	Values		Unit
			typ.	max.	
Self Refresh Current: Self refresh mode, full array activation (PASR = 000)	85 °C	I _{DD6}	400	470	μA
	70 °C		285	—	
	45 °C		200	—	
	25 °C		180	—	
Self Refresh Current: Self refresh mode, half array activation (PASR = 001)	85 °C		340	400	
	70 °C		250	—	
	45 °C		185	—	
	25 °C		170	—	
Self Refresh Current: Self refresh mode, quarter array activation (PASR = 010)	85 °C		310	360	
	70 °C		240	—	
	45 °C		175	—	
	25 °C		165	—	

- 1) 0 °C ≤ T_C ≤ 70 °C (comm.); -25 °C ≤ T_C ≤ 85 °C (ext.); V_{DD} = V_{DDQ} = 1.70V to 1.95V
- 2) The On-Chip Temperature Sensor (OCTS) adjusts the refresh rate in self refresh mode to the component's actual temperature with a much finer resolution than supported by the 4 distinct temperature levels as defined by JEDEC for TCSR. At production test the sensor is calibrated, and IDD6 max. current is measured at 85°C. Typ. values are obtained from device characterization.

3.4 Pull-up and Pull-down Characteristics

Table 24 Half Drive Strength and Full Drive Strength

Voltage (V)	Half Drive Strength				Full Drive Strength			
	Pull-Down Current (mA)		Pull-Up Current (mA)		Pull-Down Current (mA)		Pull-Up Current (mA)	
	Nominal Low	Nominal High	Nominal Low	Nominal High	Nominal Low	Nominal High	Nominal Low	Nominal High
0.00	0.0	0.0	-19.7	-33.4	0.0	0.0	-39.3	-66.7
0.40	15.1	20.5	-18.8	-32.0	30.2	41.0	-37.6	-63.9
0.65	20.3	28.5	-18.2	-31.0	40.5	57.0	-36.4	-61.9
0.85	22.0	32.0	-17.6	-29.9	43.9	64.0	-35.1	-59.8
1.00	22.6	33.5	-16.7	-28.7	45.2	67.0	-33.3	-57.3
1.40	23.5	35.0	-9.4	-20.4	46.9	70.0	-18.8	-40.7
1.50	23.6	35.3	-6.6	-17.1	47.2	70.5	-13.2	-34.1
1.65	23.8	35.5	-1.8	-11.4	47.5	71.0	-3.5	-22.7
1.80	23.9	35.7	3.8	-4.8	47.7	71.4	7.5	-9.6
1.95	24.0	35.9	9.8	2.5	48.0	71.8	19.6	5.0

The above characteristics are specified under nominal process variation / condition Temperature (T_j): Nominal = 50 °C, V_{DDQ}: Nominal = 1.80 V



4 Package Outlines

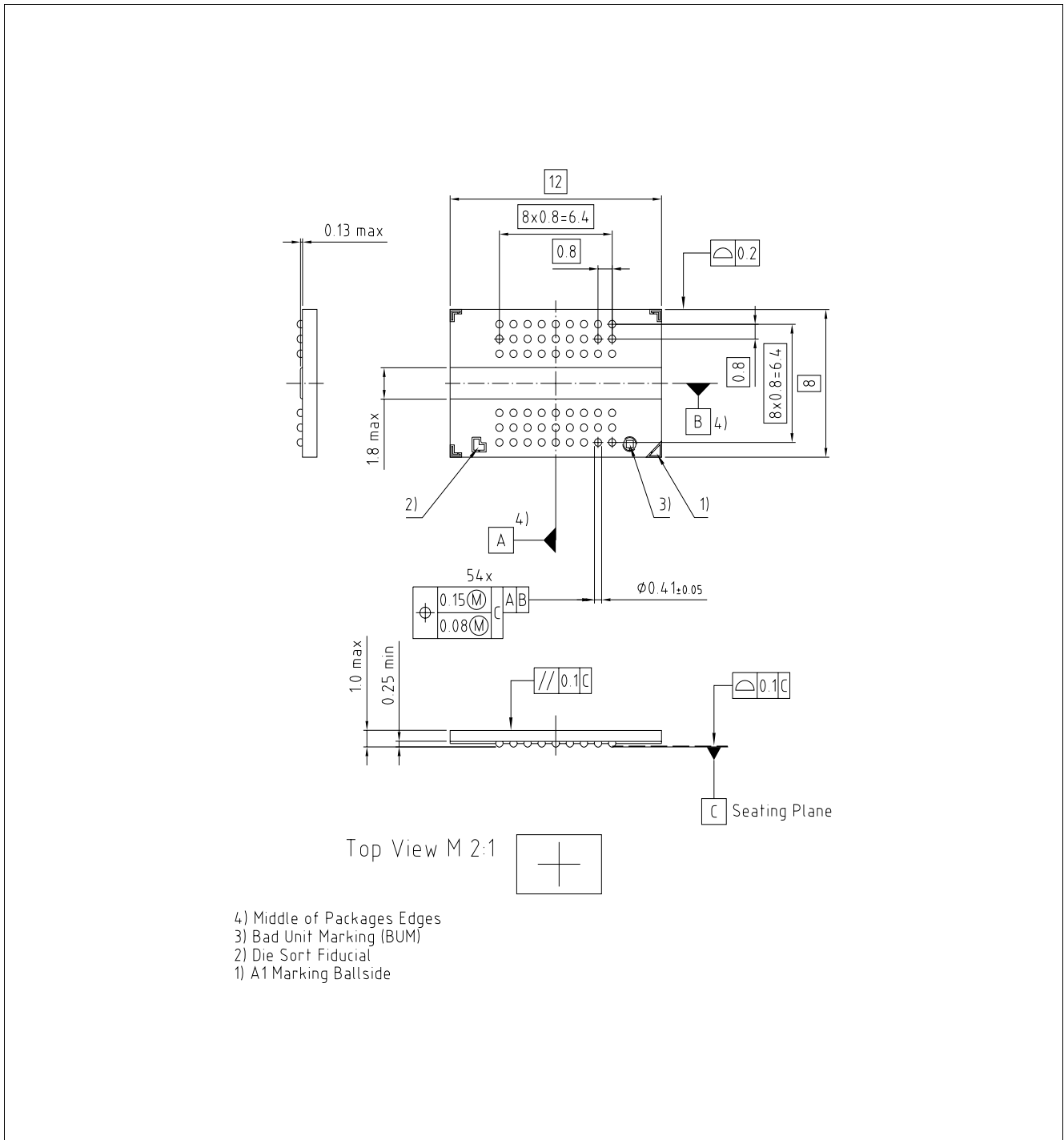


Figure 48 P-VFBGA-54-2 (Plastic Very Thin Fine Ball Grid Array Package)

You can find all of our packages, sorts of packing and others in our
Qimonda Internet Page "Products":
<http://www.Qimonda.com/products>.

SMD = Surface Mounted Device

Dimensions in mm



List of Figures

Figure 1	Standard Ballout 128-Mbit Mobile-RAM	4
Figure 2	Functional Block Diagram	6
Figure 3	Power-Up Sequence and Mode Register Sets	8
Figure 4	State Diagram	13
Figure 5	Address / Command Inputs Timing Parameters	15
Figure 6	No Operation Command	15
Figure 7	Mode Register Set Command	16
Figure 8	Mode Register Definition	16
Figure 9	ACTIVE Command	17
Figure 10	Bank Activate Timings	17
Figure 11	READ Command	18
Figure 12	Basic READ Timing Parameters for DQs	19
Figure 13	Single READ Burst (CAS Latency = 2)	20
Figure 14	Single READ Burst (CAS Latency = 3)	21
Figure 15	Consecutive READ Bursts	21
Figure 16	Random READ Bursts	22
Figure 17	Non-Consecutive READ Bursts	22
Figure 18	Terminating a READ Burst	23
Figure 19	Clock Suspend Mode for READ Bursts	24
Figure 20	READ Burst - DQM Operation	24
Figure 21	READ to WRITE Timing	25
Figure 22	READ to PRECHARGE Timing	26
Figure 23	WRITE Command	26
Figure 24	Basic WRITE Timing Parameters for DQs	27
Figure 25	WRITE Burst (CAS Latency = 2)	28
Figure 26	WRITE Burst (CAS Latency = 3)	29
Figure 27	Consecutive WRITE Bursts	29
Figure 28	Random WRITE Bursts	30
Figure 29	Non-Consecutive WRITE Bursts	30
Figure 30	Terminating a WRITE Burst	31
Figure 31	Clock Suspend Mode for WRITE Bursts	31
Figure 32	WRITE Burst - DQM Operation	32
Figure 33	WRITE to READ Timing	32
Figure 34	WRITE to PRECHARGE Timing	33
Figure 35	BURST TERMINATE Command	34
Figure 36	PRECHARGE command	34
Figure 37	READ with Auto Precharge Interrupted by READ	36
Figure 38	READ with Auto Precharge Interrupted by WRITE	36
Figure 39	WRITE with Auto Precharge Interrupted by READ	36
Figure 40	WRITE with Auto Precharge Interrupted by WRITE	37
Figure 41	AUTO REFRESH Command	38
Figure 42	Auto Refresh	38
Figure 43	SELF REFRESH Entry Command	39
Figure 44	Self Refresh Entry and Exit	39
Figure 45	Power Down Entry Command	40
Figure 46	Power Down Entry and Exit	41
Figure 47	Test Load for DQ Pins	47
Figure 48	P-VFBGA-54-2 (Plastic Very Thin Fine Ball Grid Array Package)	50



List of Tables

Table 1	Performance	3
Table 2	Memory Addressing Scheme	3
Table 4	Ordering Information for Green Products	4
Table 3	Ordering Information	4
Table 5	Pin Description	7
Table 6	Burst Definition	10
Table 7	Command Overview	14
Table 8	Inputs Timing Parameters	15
Table 9	Timing Parameters for Mode Register Set Command	16
Table 10	Timing Parameters for ACTIVE Command	18
Table 11	Timing Parameters for READ	20
Table 12	Timing Parameters for WRITE	28
Table 13	Timing Parameters for PRECHARGE	35
Table 14	Timing Parameters for AUTO REFRESH and SELF REFRESH	40
Table 15	Current State Bank n - Command to Bank n	41
Table 16	Current State Bank n - Command to Bank m (different bank)	43
Table 17	Truth Table - CKE	44
Table 18	Absolute Maximum Ratings	45
Table 19	Pin Capacitances	45
Table 20	Electrical Characteristics	46
Table 21	AC Characteristics	46
Table 22	Maximum Operating Currents	48
Table 23	Self Refresh Currents	49
Table 24	Half Drive Strength and Full Drive Strength	49



Table of Contents

1	Overview	3
1.1	Features	3
1.2	Pin Configuration	4
1.3	Description	5
1.4	Pin Definition and Description	7
2	Functional Description	8
2.1	Power On and Initialization	8
2.2	Register Definition	9
2.2.1	Mode Register	9
2.2.1.1	Burst Length	10
2.2.1.2	Burst Type	11
2.2.1.3	Read Latency	11
2.2.1.4	Write Burst Mode	11
2.2.1.5	Extended Mode Register	11
2.2.1.6	Partial Array Self Refresh (PASR)	12
2.2.1.7	Temperature Compensated Self Refresh (TCSR) with On-Chip Temperature Sensor	12
2.2.1.8	Selectable Drive Strength	12
2.3	State Diagram	12
2.4	Commands	14
2.4.1	NO OPERATION (NOP)	15
2.4.2	DESELECT	16
2.4.3	MODE REGISTER SET	16
2.4.4	ACTIVE	17
2.4.5	READ	18
2.4.5.1	READ Burst Termination	23
2.4.5.2	Clock Suspend Mode for READ Cycles	23
2.4.5.3	READ - DQM Operation	24
2.4.5.4	READ to WRITE	24
2.4.5.5	READ to PRECHARGE	25
2.4.6	WRITE	26
2.4.6.1	WRITE Burst Termination	30
2.4.6.2	Clock Suspend Mode for WRITE Cycles	31
2.4.6.3	WRITE - DQM Operation	32
2.4.6.4	WRITE to READ	32
2.4.6.5	WRITE to PRECHARGE	33
2.4.7	BURST TERMINATE	34
2.4.8	PRECHARGE	34
2.4.8.1	AUTO PRECHARGE	35
2.4.8.2	CONCURRENT AUTO PRECHARGE	35
2.4.9	AUTO REFRESH and SELF REFRESH	38
2.4.9.1	AUTO REFRESH	38
2.4.9.2	SELF REFRESH	39
2.4.10	POWER DOWN	40
2.4.10.1	DEEP POWER DOWN	41
2.5	Function Truth Tables	41
3	Electrical Characteristics	45
3.1	Operating Conditions	45
3.2	AC Characteristics	46
3.3	Operating Currents	48
3.4	Pull-up and Pull-down Characteristics	49
4	Package Outlines	50
	List of Figures	51
	List of Tables	52



Table of Contents 53

Edition 2007-01
Published by Qimonda AG
Gustav-Heinemann-Ring 212
D-81739 München, Germany
© Qimonda AG 2007.
All Rights Reserved.

Legal Disclaimer

The information given in this Data Sheet shall in no event be regarded as a guarantee of conditions or characteristics ("Beschaffenheitsgarantie"). With respect to any examples or hints given herein, any typical values stated herein and/or any information regarding the application of the device, Qimonda hereby disclaims any and all warranties and liabilities of any kind, including without limitation warranties of non-infringement of intellectual property rights of any third party.

Information

For further information on technology, delivery terms and conditions and prices please contact your nearest Qimonda Office.

Warnings

Due to technical requirements components may contain dangerous substances. For information on the types in question please contact your nearest Qimonda Office.

Under no circumstances may the Qimonda product as referred to in this Data Sheet be used in

1. Any applications that are intended for military usage (including but not limited to weaponry), or
2. Any applications, devices or systems which are safety critical or serve the purpose of supporting, maintaining, sustaining or protecting human life (such applications, devices and systems collectively referred to as "Critical Systems"), if
 - a) A failure of the Qimonda product can reasonable be expected to - directly or indirectly -
 - (i) Have a detrimental effect on such Critical Systems in terms of reliability, effectiveness or safety; or
 - (ii) Cause the failure of such Critical Systems; or
 - b) A failure or malfunction of such Critical Systems can reasonably be expected to - directly or indirectly -
 - (i) Endanger the health or the life of the user of such Critical Systems or any other person; or
 - (ii) Otherwise cause material damages (including but not limited to death, bodily injury or significant damages to property, whether tangible or intangible).