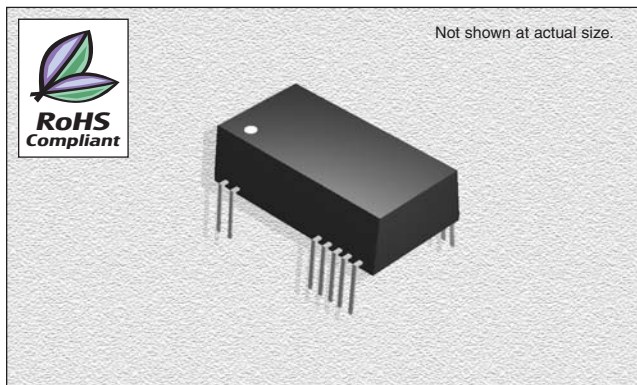


## CTDD3214DF-DU6K-2 Series

Fixed Input Isolated & Unregulated  
2W Output, Dual Output

### SPECIFICATIONS

Part Number	Vin Nom. (VDC)	Input Range (VDC)	Vout (VDC)	Iout Max. (mA)	Iout Min. (mA)	Effi. Typ. (%)
CTDD3214DF-0505-DU6K-2	5	4.5-5.5	±5	±200	±20	78
CTDD3214DF-0509-DU6K-2	5	4.5-5.5	±9	±111	±12	79
CTDD3214DF-0512-DU6K-2	5	4.5-5.5	±12	±84	±9	80
CTDD3214DF-0515-DU6K-2	5	4.5-5.5	±15	±67	±7	80
CTDD3214DF-1205-DU6K-2	12	10.8-13.2	±5	±200	±20	79
CTDD3214DF-1209-DU6K-2	12	10.8-13.2	±9	±111	±12	80
CTDD3214DF-1212-DU6K-2	12	10.8-13.2	±12	±84	±9	82
CTDD3214DF-1215-DU6K-2	12	10.8-13.2	±15	±67	±7	82



### ISOLATION SPECIFICATIONS

Item	Test Condition	MIN	TYP	MAX	Units
Isolation Voltage	Flash tested for 1 minute	6000			VDC
Isolation Resistance	Test at 500VDC	1000			MΩ

### OUTPUT SPECIFICATIONS

Item	Test Condition	MIN	TYP	MAX	Units
2W Output Power		0.2		2	W
Line regulation	Nominal voltage ±1%			±1.2	%
Load regulation	10% to 100% (5V output)			15	%
Load regulation	10% to 100% (12V output)			10	%
Output voltage accuracy	100% full load			See tolerance envelope graph	
Efficiency at full load	Nominal input voltage		80		%
Temperature drift	100% full load			0.03	%/°C
2W Output ripple	20MHz Bandwidth		100	200	mVp-p
Switching frequency	Full load, nominal input		35		KHz

Note:

1. All specifications measured at TA=25°C, humidity<75%, nominal input voltage and rated output load unless otherwise specified.

### FEATURES

**Efficiency:** To 82%

**Temperature Range:** -40°C to 85°C

**Isolation:** 6KVDC

**Package:** UL94-V0

**Miscellaneous:** Dual Output. Positive and Negative Voltage Output. Small Footprint. No heat sink required. Fixed Input Voltage. No external component required. Industry standard pinout. Unregulated output voltage. Custom service available. **Samples available.**

### CHARACTERISTICS

**Short Circuit Protection:** 1 second

**Temperature Rise at Full Load:** 25°C Max. 15°C Typ.

**Cooling:** Free air convection

**Operating Temperature Range:** -40°C to +85°C

**Storage Temperature Range:** -55°C to +125°C

**Lead Temperature:** 300°C (1.5mm from case for 10 seconds)

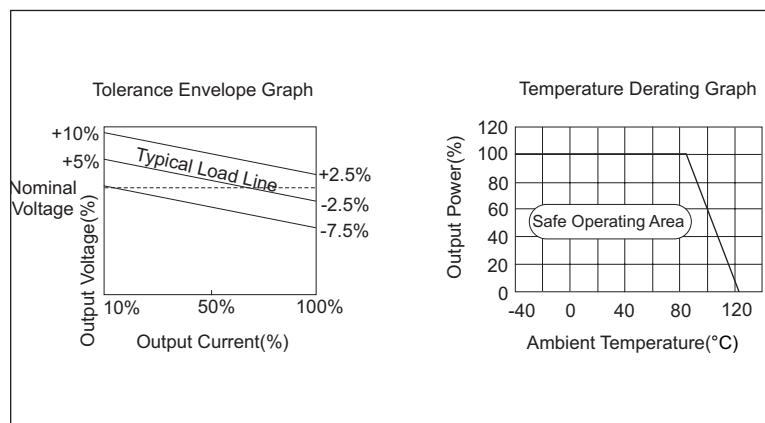
**Storage Humidity Range:** ≤ 95%

**Case Material:** Plastic (UL94-V0)

**MTBF:** >3,500,000 hours

**Miscellaneous:** RoHS Compliant.

### TYPICAL CHARACTERISTICS

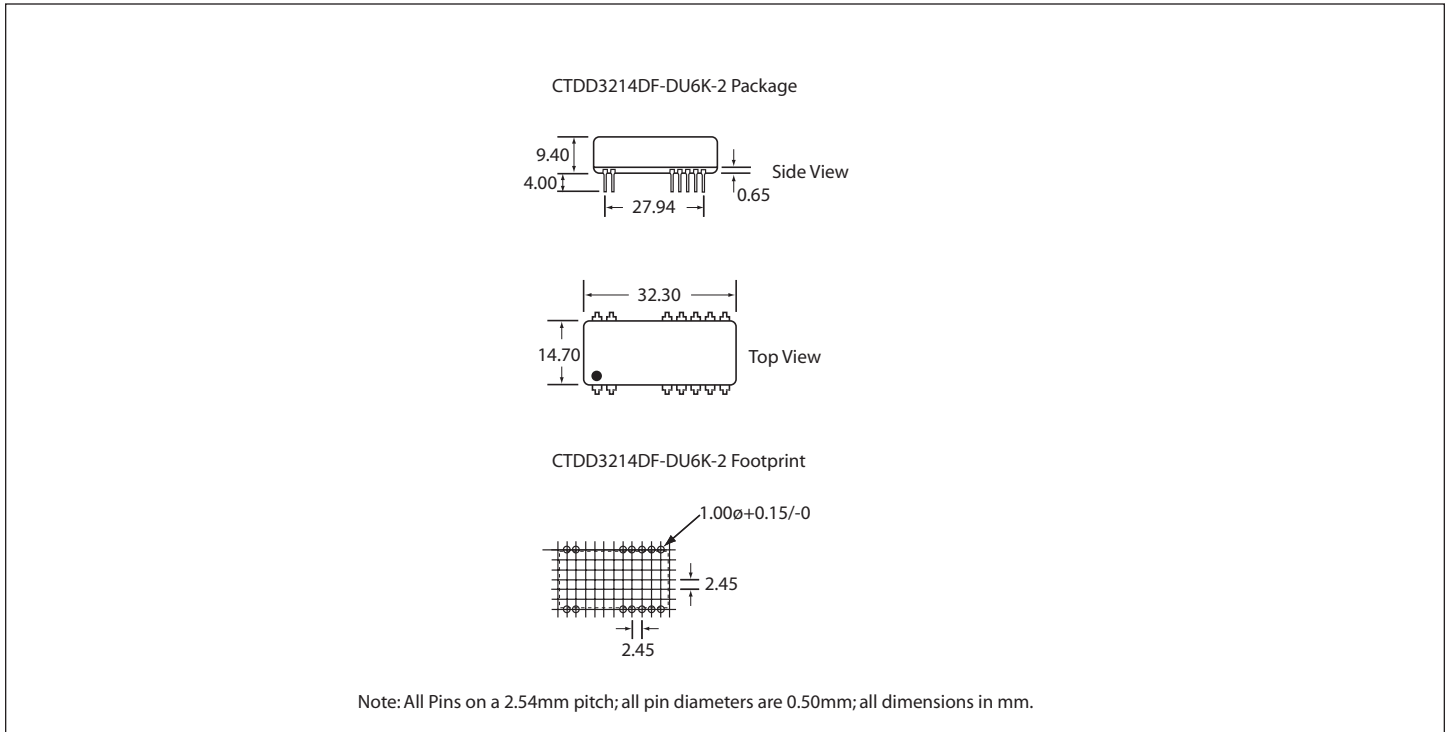


11.17.06

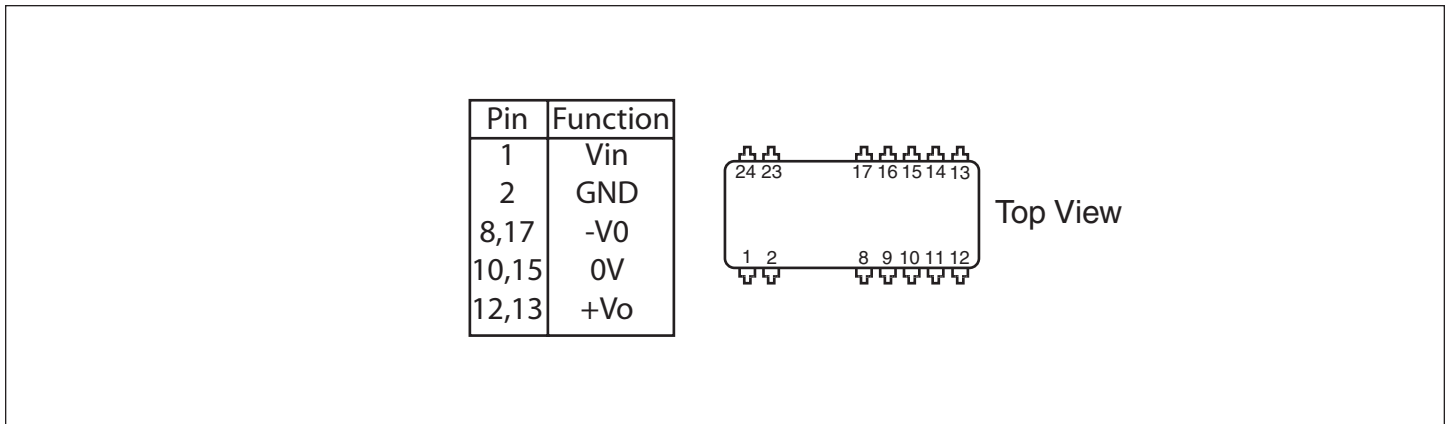
## CTDD3214DF-DU6K-2 Series

Fixed Input Isolated & Unregulated  
2W Output, Dual Output

### OUTLINE DIMENSIONS & RECOMMENDED FOOTPRINT DETAILS



### PIN CONNECTIONS



11.17.06