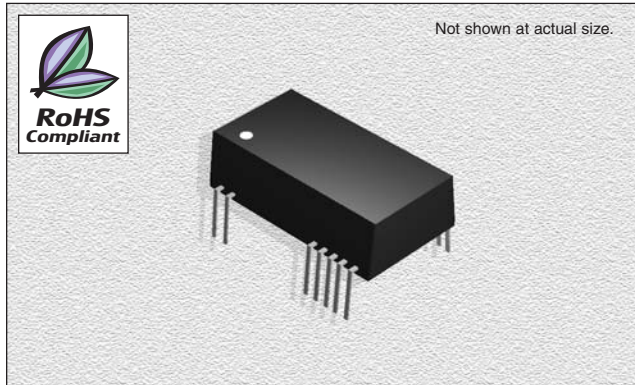


## CTDD3214DF-S6K-2 Series

Fixed Input Isolated & Unregulated  
2W Output, Single Output



### FEATURES

- Efficiency:** To 85%
- Temperature Range:** -40°C to 85°C
- Isolation:** 6KVDC
- Package:** UL94-V0
- Miscellaneous:** Positive Voltage Output. Small Footprint. No heat sink required. Fixed Input Voltage. No external component required. Industry standard pinout. Unregulated output voltage. Custom service available.
- Samples available.**

### CHARACTERISTICS

- Short Circuit Protection:** 1 second
- Temperature Rise at Full Load:** 25°C Max. 15°C Typ.
- Cooling:** Free air convection
- Operating Temperature Range:** -40°C to +85°C
- Storage Temperature Range:** -55°C to +125°C
- Lead Temperature:** 300°C (1.5mm from case for 10 seconds)
- Storage Humidity Range:** ≤ 95%
- Case Material:** Plastic (UL94-V0)
- MTBF:** >3,500,000 hours
- Miscellaneous:** RoHS Compliant.

### SPECIFICATIONS

Part Number	Vin Nom. (VDC)	Input Range (VDC)	Vout (VDC)	Iout Max. (mA)	Iout Min. (mA)	Effi. Typ. (%)
CTDD3214DF-0505-S6K-2	5	4.5-5.5	5	400	40	78
CTDD3214DF-0509-S6K-2	5	4.5-5.5	9	222	23	79
CTDD3214DF-0512-S6K-2	5	4.5-5.5	12	167	17	80
CTDD3214DF-0515-S6K-2	5	4.5-5.5	15	133	14	80
CTDD3214DF-1205-S6K-2	12	10.8-13.2	5	400	40	79
CTDD3214DF-1209-S6K-2	12	10.8-13.2	9	222	23	80
CTDD3214DF-1212-S6K-2	12	10.8-13.2	12	167	17	82
CTDD3214DF-1215-S6K-2	12	10.8-13.2	15	133	14	82

### ISOLATION SPECIFICATIONS

Item	Test Condition	MIN	TYP	MAX	Units
Isolation Voltage	Flash tested for 1 minute	6000			VDC
Isolation Resistance	Test at 500VDC	1000			MΩ

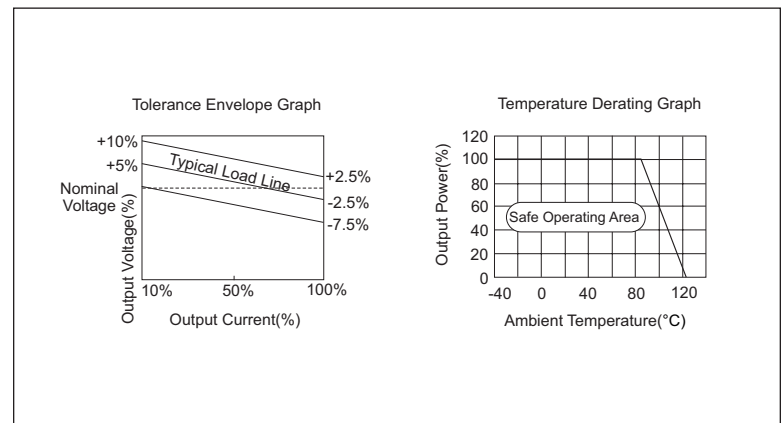
### OUTPUT SPECIFICATIONS

Item	Test Condition	MIN	TYP	MAX	Units
2W Output Power		0.2		2	W
Line regulation	Nominal voltage ±1%			±1.2	%
Load regulation	10% to 100% (5V output)			15	%
Load regulation	10% to 100% (12V output)			10	%
Output voltage accuracy	100% full load	See tolerance envelope graph			
Efficiency at full load	Nominal input voltage		80		%
Temperature drift	100% full load			0.03	%/°C
2W Output ripple	20MHz Bandwidth		100	200	mVp-p
Switching frequency	Full load, nominal input		35		KHz

Note:

1. All specifications measured at TA=25°C, humidity<75%, nominal input voltage and rated output load unless otherwise specified.

### TYPICAL CHARACTERISTICS

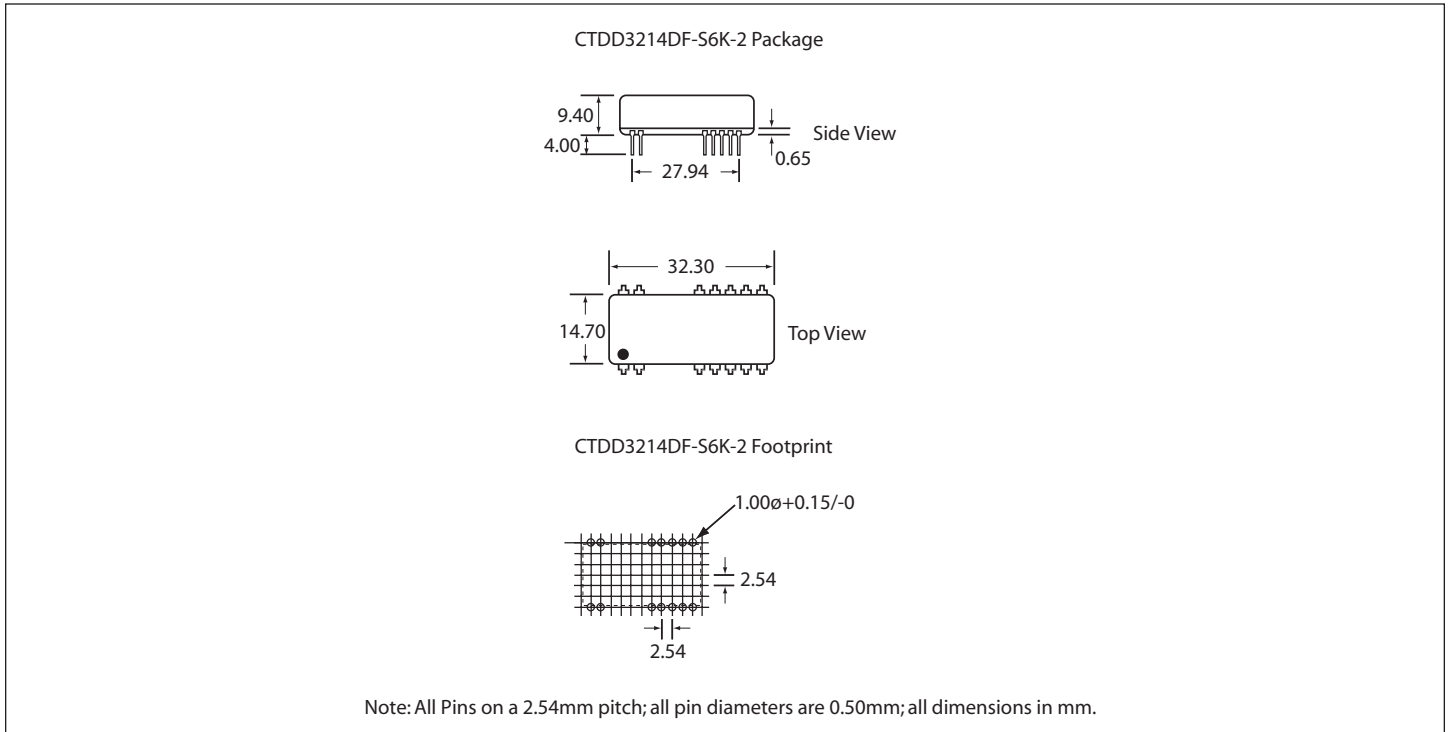


11.27.06

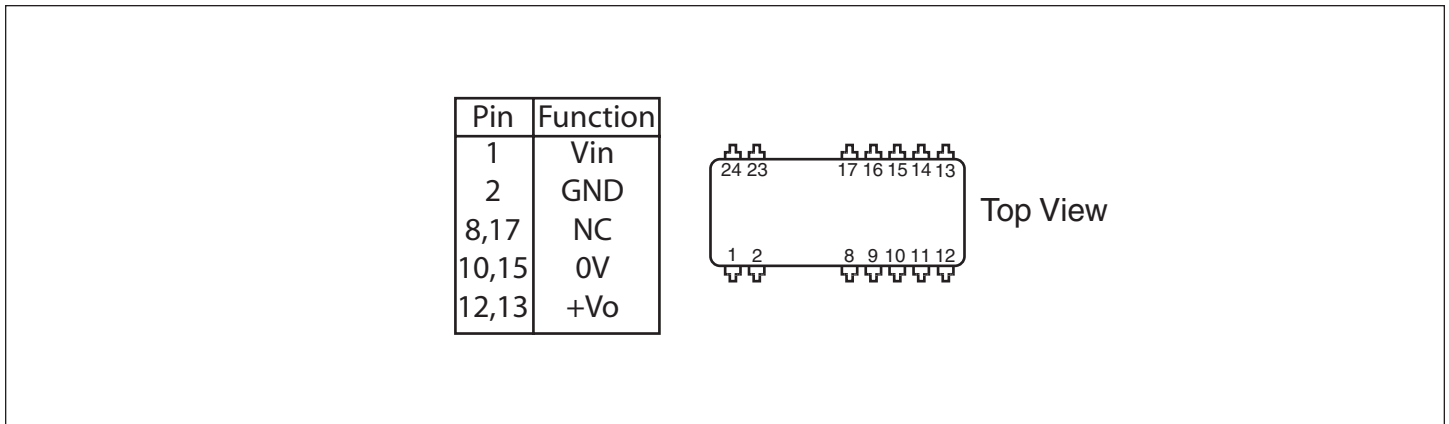
## CTDD3214DF-S6K-2 Series

Fixed Input Isolated & Unregulated  
2W Output, Single Output

### OUTLINE DIMENSIONS & RECOMMENDED FOOTPRINT DETAILS



### PIN CONNECTIONS



11.27.06