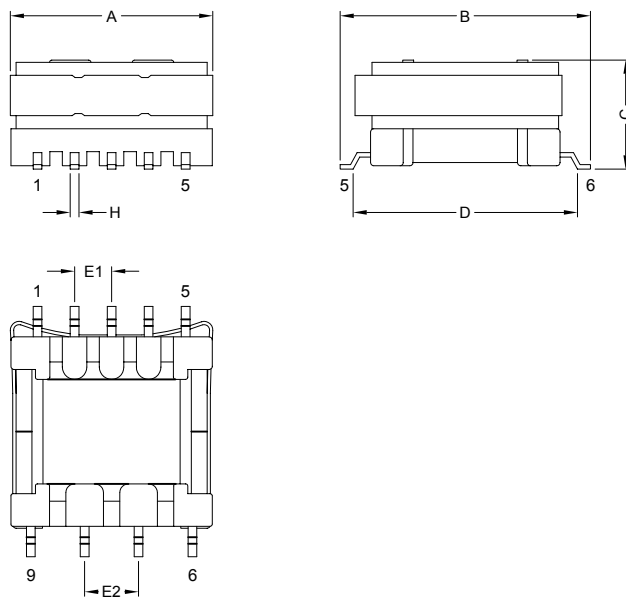


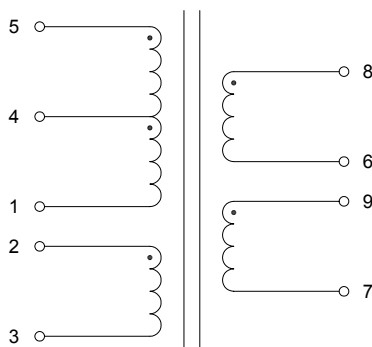
1. CONFIGURATION & DIMENSIONS :



Unit:m/m

A	B	C	D	E1	E2	H
19.50 Max.	24.00 Max.	10.50 Max.	20.80±0.15	3.50±0.20	5.00±0.20	0.80x0.40 Ref.

2. SCHEMATIC :



3. SCHEMATIC :

- a) Bobbin : Phenolic
- b) Core : EPC17
- c) Wire : Polyurethane (2UEW)
- d) Tape : Polyester Film
- e) Varnish : Synthite AC-43
- f) Clip : EPC17



RoHS Compliant

NOTE : Specifications subject to change without notice. Please check our website for latest information.

24.06.2008



SUPERWORLD ELECTRONICS (S) PTE LTD

4. GENERAL SPECIFICATION :

- a) Operating Temperature Range : -25°C to +105°C
- b) Insulation Class : B (130°C)

5. ELECTRICAL CHARACTERISTICS :

Part No.	Inductance (L)	Conditions	Test Frequency	DCR @ 25°C
EPCB7HSF-50745	L : (2-3) = 21uH ~ 24uH	-	10KHz 1V	(2-3) = 100mΩ Max.
				(8-6) = 20mΩ Max.
				(9-7) = 20mΩ Max.



RoHS Compliant

NOTE : Specifications subject to change without notice. Please check our website for latest information.

24.06.2008



SUPERWORLD ELECTRONICS (S) PTE LTD