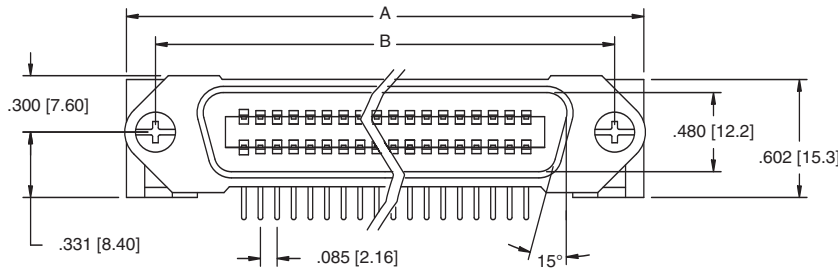
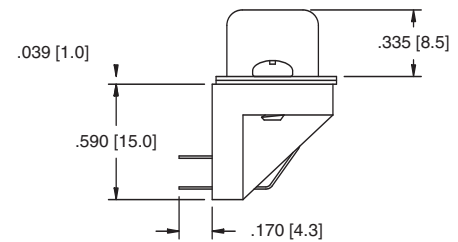
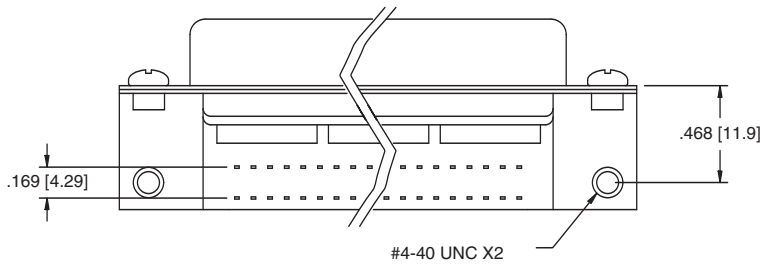


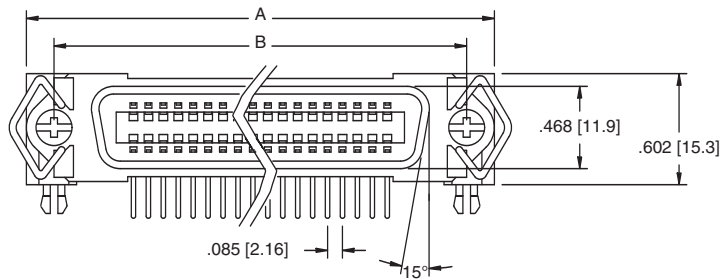
#### RIGHT ANGLE PCB - PLUG



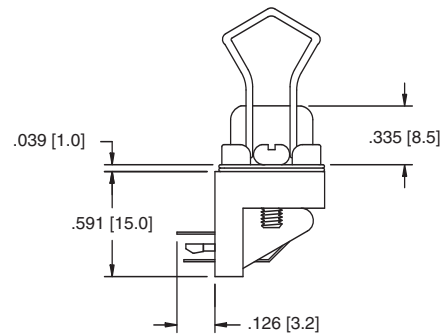
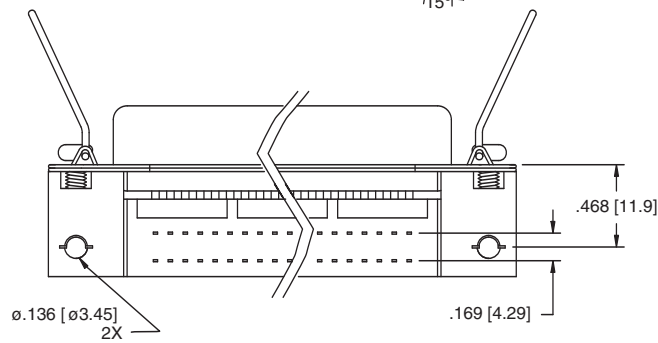
MR36-PD



#### RIGHT ANGLE PCB - SOCKET



MR36-SD-1-LI



Unit: Inch [mm]

PART NO.	Dimensions	
	A	B
MR14-SD MR14-PD	1.750 [44.45]	1.417 [35.99]
MR24-SD MR24-PD	2.175 [55.25]	1.842 [46.79]
MR36-SD MR36-PD	2.685 [68.20]	2.352 [59.74]
MR50-SD MR50-PD	3.280 [83.31]	2.947 [74.85]

#### Recommended PCB Layout

