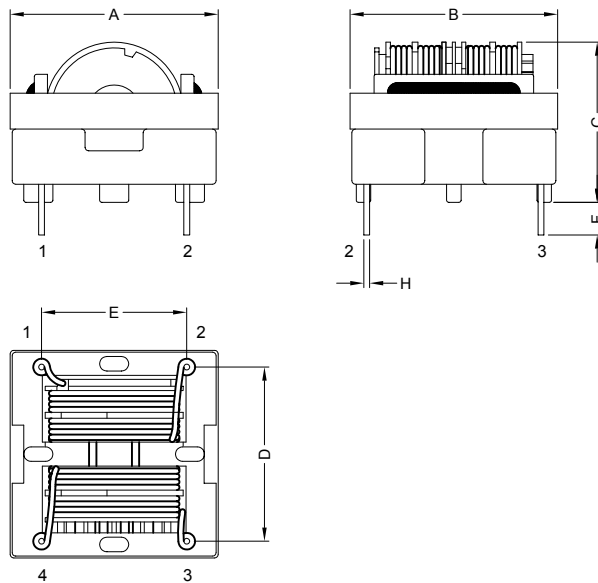


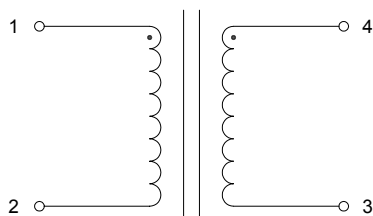
1. CONFIGURATION & DIMENSIONS :



Unit:m/m

A	B	C	D	E	F	H
30.00 Max.	30.00 Max.	25.50 Max.	24.00±0.30	20.00±0.30	4.00±1.00	Ø0.80 Ref.

2. SCHEMATIC :



3. SCHEMATIC :

- a) Bobbin : PBT
- b) Core : UU15.7
- c) Wire : Polyurethane DD (1UEW)
- d) Tape : Polyester Film
- e) Mylar Tape : 12mil
- f) Varnish : Synthite BC-346A
- g) Clip : UU15.7



RoHS Compliant

NOTE : Specifications subject to change without notice. Please check our website for latest information.

19.06.2008



SUPERWORLD ELECTRONICS (S) PTE LTD

4. GENERAL SPECIFICATION :

- a) Operating Temperature Range : -10°C to +85°C
- b) Insulation Class : A (105°C)

5. ELECTRICAL CHARACTERISTICS :

Part No.	Inductance (L)	Conditions	Test Frequency	DCR @ 25°C
SETC8HTF-50722	L : (1-2) = 7.0mH Min.	-	10KHz 0.1V	(1-2) = 0.14Ω Max.
	L : (4-3) = 7.0mH Min.	-	10KHz 0.1V	(4-3) = 0.14Ω Max.



RoHS Compliant

NOTE : Specifications subject to change without notice. Please check our website for latest information.

19.06.2008



SUPERWORLD ELECTRONICS (S) PTE LTD