

Silicon PNP Power Transistors

2SA1643

DESCRIPTION

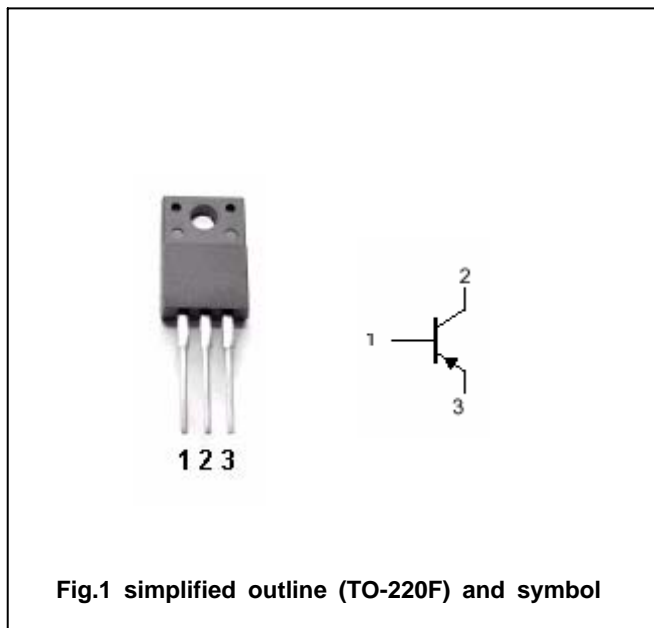
- With TO-220F package
- Complement to type 2SC4327
- Low collector saturation voltage

APPLICATIONS

- For power switching applications

PINNING

PIN	DESCRIPTION
1	Base
2	Collector
3	Emitter



Absolute maximum ratings (Ta=25)

SYMBOL	PARAMETER	CONDITIONS	VALUE	UNIT
V _{CBO}	Collector-base voltage	Open emitter	-50	V
V _{CEO}	Collector-emitter voltage	Open base	-35	V
V _{EBO}	Emitter-base voltage	Open collector	-7	V
I _C	Collector current		-7	A
P _C	Collector dissipation	T _C =25	25	W
T _j	Junction temperature		150	
T _{stg}	Storage temperature		-55~150	

Silicon PNP Power Transistors

2SA1643

CHARACTERISTICS

T_j=25 unless otherwise specified

SYMBOL	PARAMETER	CONDITIONS	MIN	TYP.	MAX	UNIT
V _{(BR)CEO}	Collector-emitter breakdown voltage	I _C =-25mA ; I _B =0	-80			V
V _{(BR)EBO}	Emitter-base breakdown voltage	I _E =-1mA ; I _C =0	-7			V
V _{CEsat}	Collector-emitter saturation voltage	I _C =-5A ; I _B =-0.3A			-0.5	V
I _{CBO}	Collector cut-off current	V _{CB} =-50V ; I _E =0			-10	μ A
I _{EBO}	Emitter cut-off current	V _{EB} =-7V ; I _C =0			-10	μ A
h _{FE}	DC current gain	I _C =-5A ; V _{CE} =-2V	50			
f _T	Transition frequency	I _E =1A ; V _{CE} =-12V		75		MHz

Silicon PNP Power Transistors

2SA1643

PACKAGE OUTLINE

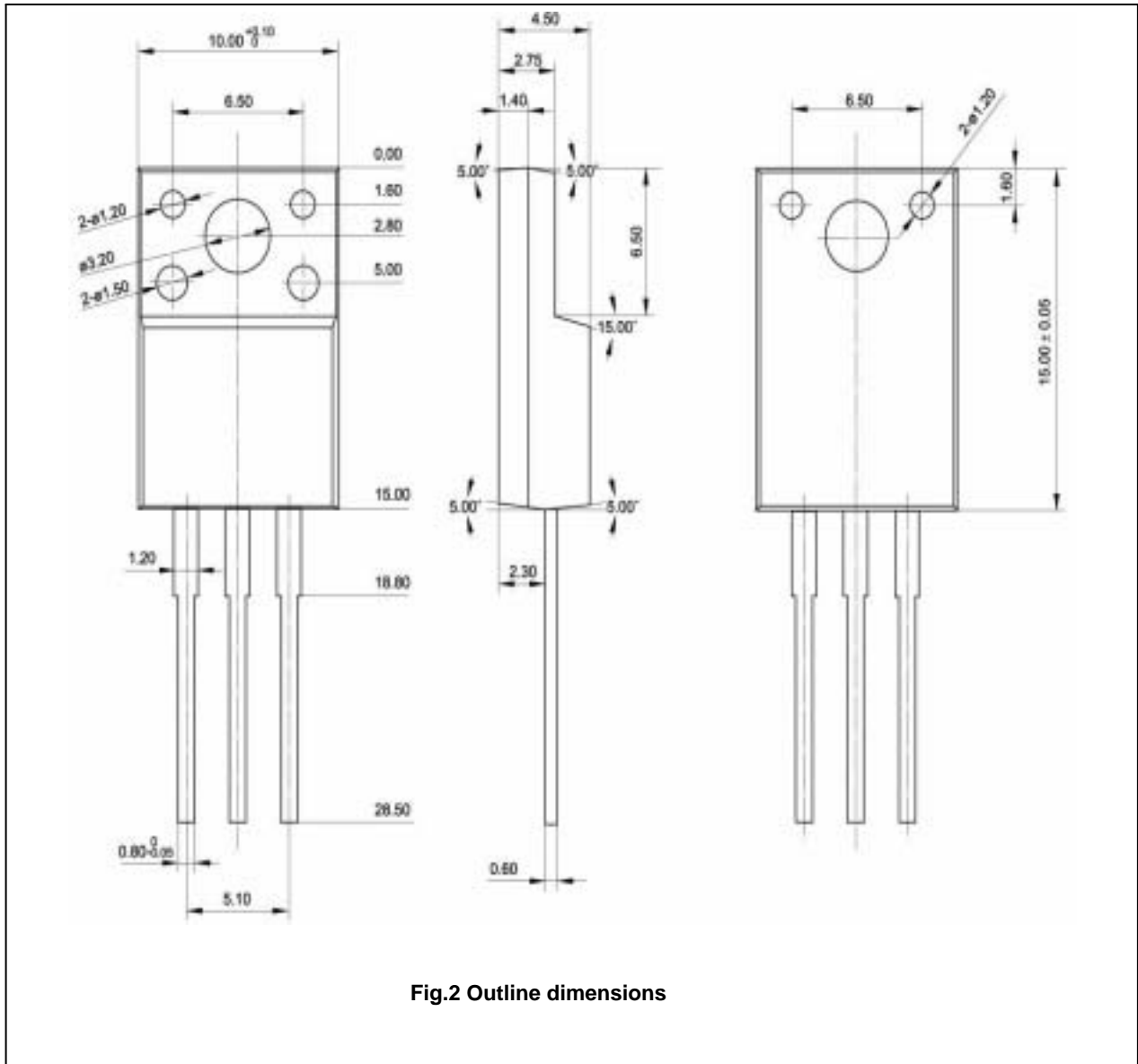


Fig.2 Outline dimensions