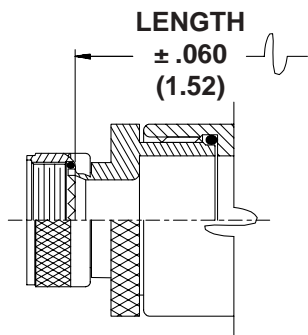
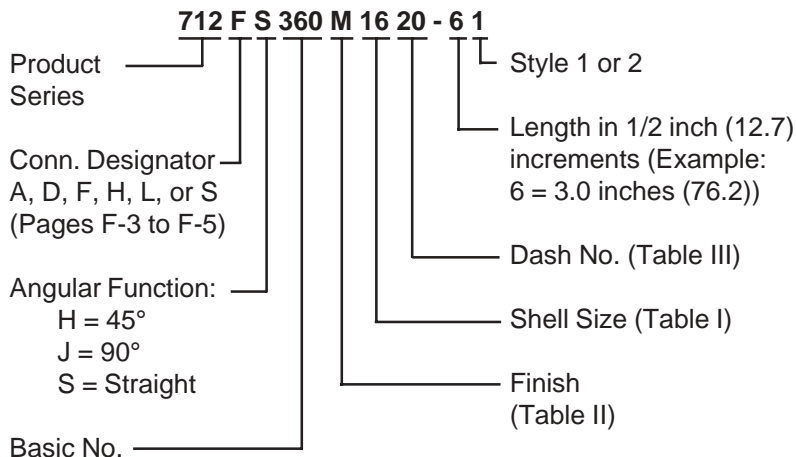




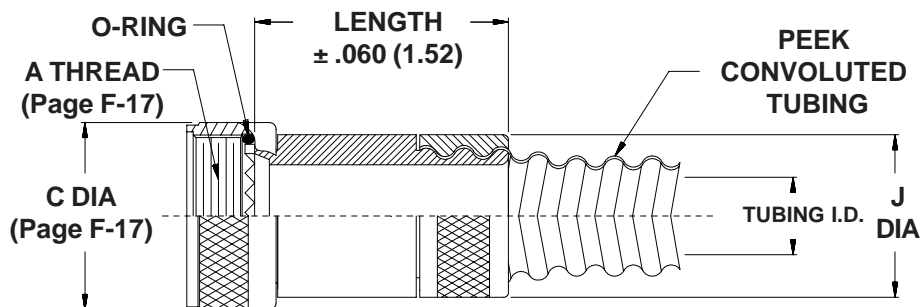
712-360 - Type A
Straight, 45° & 90° Non-Environmental User-Installable
Connector Fitting for PEEK Series 74 Helical Convulsed Tubing

**TYPE
A**

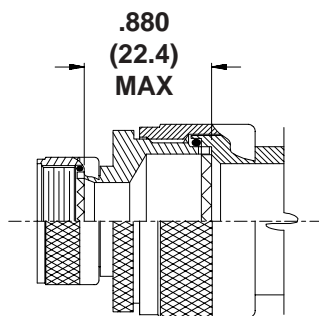
For use with PEEK
convulsed tubing
only - Part number
120-100-1-1-XX
(page D-3).



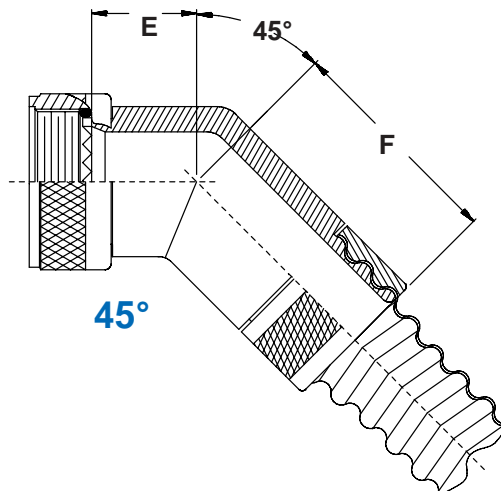
**STYLE 2
STRAIGHT**



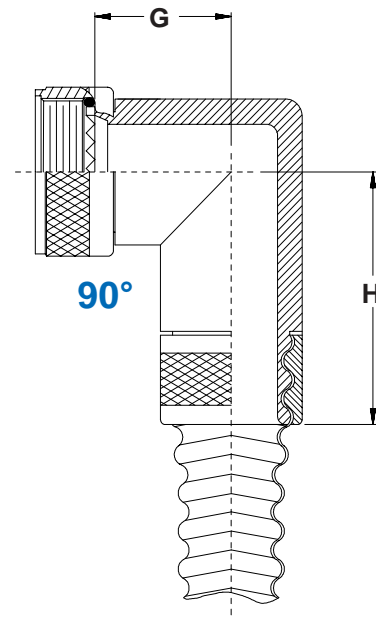
STRAIGHT



**STYLE 2
45° & 90°**



45°



90°

712-360 - Type A
Straight, 45° & 90° Non-Environmental User-Installable
Connector Fitting for PEEK Series 74 Helical Convuluted Tubing



| SHELL SIZE | | E | F | G | H |
|------------|----|--------------|--------------|--------------|--------------|
| A,D, F,L,S | H | MAX | MAX | MAX | MAX |
| 08 | 09 | .639 (16.2) | .950 (24.1) | .750 (19.1) | 1.060 (26.9) |
| 10 | 11 | .664 (16.9) | .980 (24.9) | .810 (20.6) | 1.120 (28.4) |
| 12 | 13 | .688 (17.5) | 1.000 (25.4) | .870 (22.1) | 1.180 (30.0) |
| 14 | 15 | .705 (17.9) | 1.030 (26.2) | .920 (23.4) | 1.250 (31.8) |
| 16 | 17 | .732 (18.6) | 1.050 (26.7) | .980 (24.9) | 1.310 (33.3) |
| 18 | 19 | .748 (19.0) | 1.060 (26.9) | 1.020 (25.9) | 1.330 (33.8) |
| 20 | 21 | .773 (19.6) | 1.080 (27.4) | 1.080 (27.4) | 1.390 (35.3) |
| 22 | 23 | .800 (20.3) | 1.120 (28.4) | 1.140 (29.0) | 1.470 (37.3) |
| 24 | 25 | .823 (20.9) | 1.150 (29.2) | 1.200 (30.5) | 1.540 (39.1) |
| 28 | -- | 1.041 (26.4) | 1.320 (33.5) | 1.480 (37.6) | 1.780 (45.2) |
| 32 | -- | 1.092 (27.7) | 1.360 (34.5) | 1.610 (40.9) | 1.870 (47.5) |
| 36 | -- | 1.138 (28.9) | 1.410 (35.8) | 1.720 (43.7) | 1.980 (50.3) |

| SYMBOL | FINISH |
|--------|---|
| B | Olive Drab over Cadmium Plate |
| J | Gold Iridite over Cadmium Plate over Nickel |
| M | Electroless Nickel |
| N | Olive Drab over Cadmium Plate over Nickel |
| NC | Zinc-Cobalt, Olive Drab |
| NF | Olive Drab over Cadmium Plate over Electroless Nickel (500 Hour Salt Spray) |
| T | Bright Dip Cadmium Plate over Nickel |

| DASH NO. | TUBING I.D. | | J MAX |
|----------|--------------|--------------|--------------|
| | MIN | MAX | |
| 06 | .181 (4.6) | .187 (4.7) | .720 (18.3) |
| 09 | .273 (6.9) | .281 (7.1) | .821 (20.9) |
| 12 | .364 (9.2) | .375 (9.5) | .915 (23.2) |
| 16 | .485 (12.3) | .500 (12.7) | 1.040 (26.4) |
| 20 | .608 (15.4) | .625 (15.9) | 1.165 (29.6) |
| 24 | .730 (18.5) | .750 (19.1) | 1.290 (32.8) |
| 32 | .975 (24.8) | 1.000 (25.4) | 1.540 (39.1) |
| 40 | 1.210 (30.7) | 1.250 (31.8) | 1.790 (45.5) |
| 48 | 1.471 (37.4) | 1.500 (38.1) | 2.040 (51.8) |
| 56 | 1.721 (42.9) | 1.750 (44.5) | 2.290 (58.2) |
| 64 | 1.971 (49.2) | 2.000 (50.8) | 2.540 (64.5) |

NOTES:

1. When tubing I.D. max exceeds inside diameter of connector shell, style 2 may be supplied. Refer to pages F-15 and F-16.
2. Metric dimensions (mm) are in parentheses.
3. Tubing shown for reference only.
4. O-Ring not supplied with Connector Designator A.