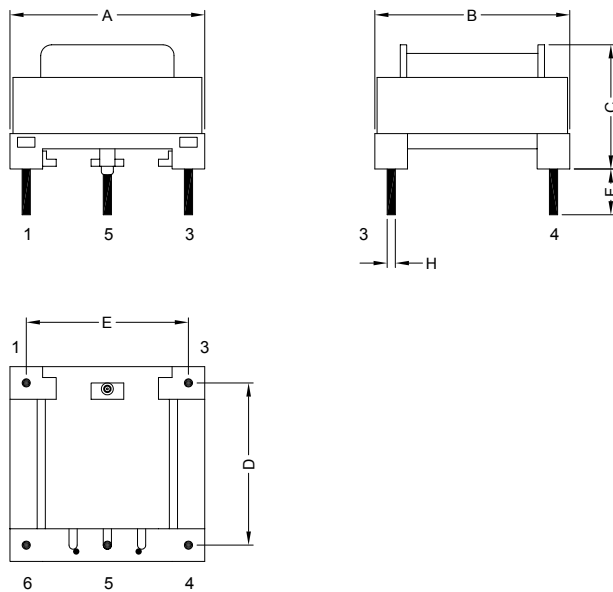


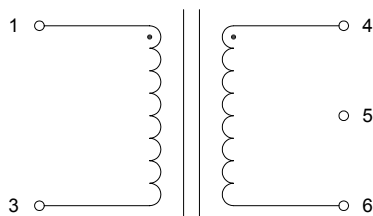
1. CONFIGURATION & DIMENSIONS :



Unit:m/m

A	B	C	D	E	F	H
13.70 Max.	14.00 Max.	10.90 Max.	9.80±0.30	10.00±0.30	2.30 Min.	Ø0.70 Ref.

2. SCHEMATIC :



3. SCHEMATIC :

- a) Bobbin : PET
- b) Core : EE25
- c) Wire : Polyurethane DD (2UEW)
- d) Tape : Polyester Film
- e) Varnish : Synthite AC-43



RoHS Compliant

NOTE : Specifications subject to change without notice. Please check our website for latest information.

18.06.2008



SUPERWORLD ELECTRONICS (S) PTE LTD

4. GENERAL SPECIFICATION :

- a) Operating Temperature Range : -25°C to +105°C
- b) Insulation Class : B (130°C)

5. ELECTRICAL CHARACTERISTICS :

Part No.	Impedance (Z)	Conditions	Test Frequency	DCR @ 25°C
SEEC8HTF-50731	Z : (1-3) = 600Ω±10%	Load : 4-6 = 600Ω	1KHz 0.1V	(1-3) = 52Ω±10%
				(4-6) = 59Ω±10%



RoHS Compliant

NOTE : Specifications subject to change without notice. Please check our website for latest information.

18.06.2008



SUPERWORLD ELECTRONICS (S) PTE LTD