



Single and three-phase diode circuits come in a panel mount package that provides 2500 Vrms isolation from the terminals to the ceramic base. Available in ratings up to 1600 Volts, all models are UL recognized E72445.

- **Single and Three-Phase Circuits**
- **Up to 1600 Volt Blocking Standard**

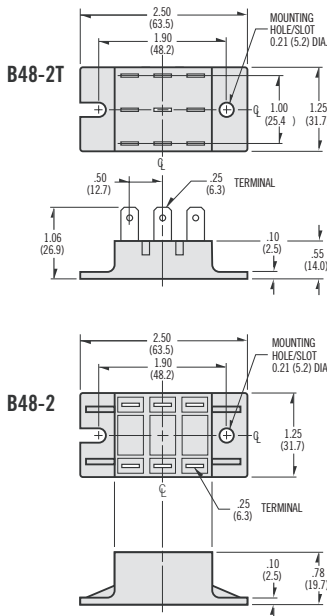
**Part Number Identification**

Series	Circuit Type	Voltage	Case Style
B48	1 - 5	B - 400 (120 Vac) F - 1200 (480Vac)	-2T (Std)
	(see schematic diagrams)	C - 600 (240Vac) G - 1400 (530Vac)	-2 with Isolation Barriers
		E - 1000 (380Vac) H - 1600 (600Vac)	

Example: B483C-2T

**Mechanical Dimensions**

All dimensions are in inches (millimeters)

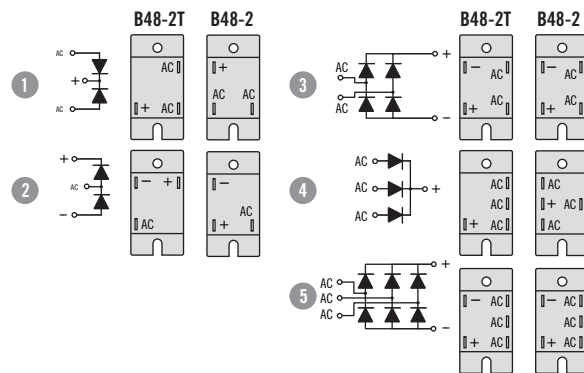


**Electrical Specifications**

	SINGLE PHASE	THREE PHASE
$I_D$ Maximum DC Output Current @ $T_c = 85^\circ\text{C}$ (A)	35	55
$V_F$ Maximum Voltage Drop @ Amps Peak	1.25V @ 35A	1.35V @ 50A
$T_J$ Operating Junction Temperature Range	-40°C to +125°C	
$V_{RMS}$ Repetitive Peak Reverse Voltage (AC Line Input Voltage)	400 (120Vac) 600 (240Vac) 1000 (380Vac) 1200 (480Vac) 1400 (530Vac) 1600 (600Vac)	
$I_{TSM}$ Maximum Non-Repetitive Surge Current (A) [ $1/2$ Cycle, 60Hz ]	600	
$I^2T$ Maximum $I^2T$ for Fusing ( $A^2\text{sec}$ ) [ $t=8.3\text{ms}$ ]	1500	
$R_{\theta JC}$ Maximum Thermal Resistance Junction to Ceramic Base per Chip	0.9°C/W	
$V_{ISOL}$ Isolation Voltage	2500 $V_{RMS}$	

**Mechanical Specifications**

Weight (Typical) 1.5 oz. (42.5g)



ISO9001 CERTIFIED

Competitive part number cross-reference available at: [www.cynergy3.com](http://www.cynergy3.com)

**Approvals**

UL - E72445

**USA**  
Sales & Tech Support (866) 258-5057  
Email: [sales@cynergy3.com](mailto:sales@cynergy3.com)  
Cynergy3 Components  
2320 Paseo de las Americas, Suite 104  
San Diego, CA 92154

**EUROPE - UK**  
Telephone +44 (0) 1202 897969  
Fax +44 (0) 1202 891918  
Email: [sales@cynergy3.com](mailto:sales@cynergy3.com)  
Cynergy3 Components Ltd.  
7 Cobham Road  
Ferndown Industrial Estate  
Wimborne, Dorset BH21 7PE

**ASIA - Thailand**  
Telephone +66 (0)2 665 2517  
Fax +66 (0)2 665 2588  
Cynergy 3 Components, Asia  
18/8 Fico Place 12th Floor  
Soi Sukhumvit 21 (Asoke)  
Klongtoey Nua, Wattana  
Bangkok, Thailand 10110