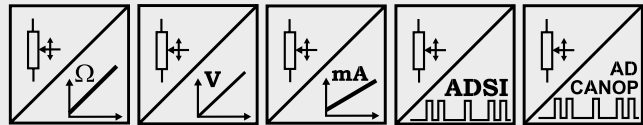


POSITAPE® WB17KT with Analog, SSI or CANopen Output



Position sensor with measuring tape for teach-in operations

- Protection class IP64
- Measurement ranges 0 ... 3500 mm to 0 ... 10000 mm
- Steel measuring tape
- Analog output or
A/D converted synchronous serial output (SSI) or
A/D converted CANopen output



Specifications	Outputs	Potentiometer 1 kΩ Voltage 0 ... 10 V Current 4 ... 20 mA (3 wire) A/D converted synchronous serial interface (SSI) A/D converted CANopen bus
	Resolution	Analog: essentially infinite; ADSI16: max. 16 bit f.s.; ADCANOP16 bit f.s.
	Sensing device	Hybrid precision potentiometer
	Material	Aluminium, stainless steel und plastic Measuring tape: steel, 10 mm wide, 0.1 mm thick
	Protection class	IP64
	Connection	8 pin connector M12 (ADCANOP: 5 pin) / cable output, length 3 m
	Operation temperature	-20 ... +85 °C
	EMC	Refer to output specification

Order code WB17KT



Model name

Measurement range (in mm)

3500 / 6500 / 10000

Outputs

- R1K = Potentiometer 1 kΩ
- 10V = 0 ... 10 V signal conditioner
- 420A = 4 ... 20 mA signal conditioner (2 wire)
- 420T = 4 ... 20 mA signal conditioner (3 wire)
- PMUV/PMUI = Programmable 0... 10 V or 4 ... 20 mA signal conditioner
- ADSI16 = A/D converted synchronous serial interface (SSI)
- ADCANOP = A/D converted CANopen bus

Connection

- M12 = 8 pin connector M12 (ADCANOP: 5 pin)
- KAB3M = Cable output, standard length 3 m

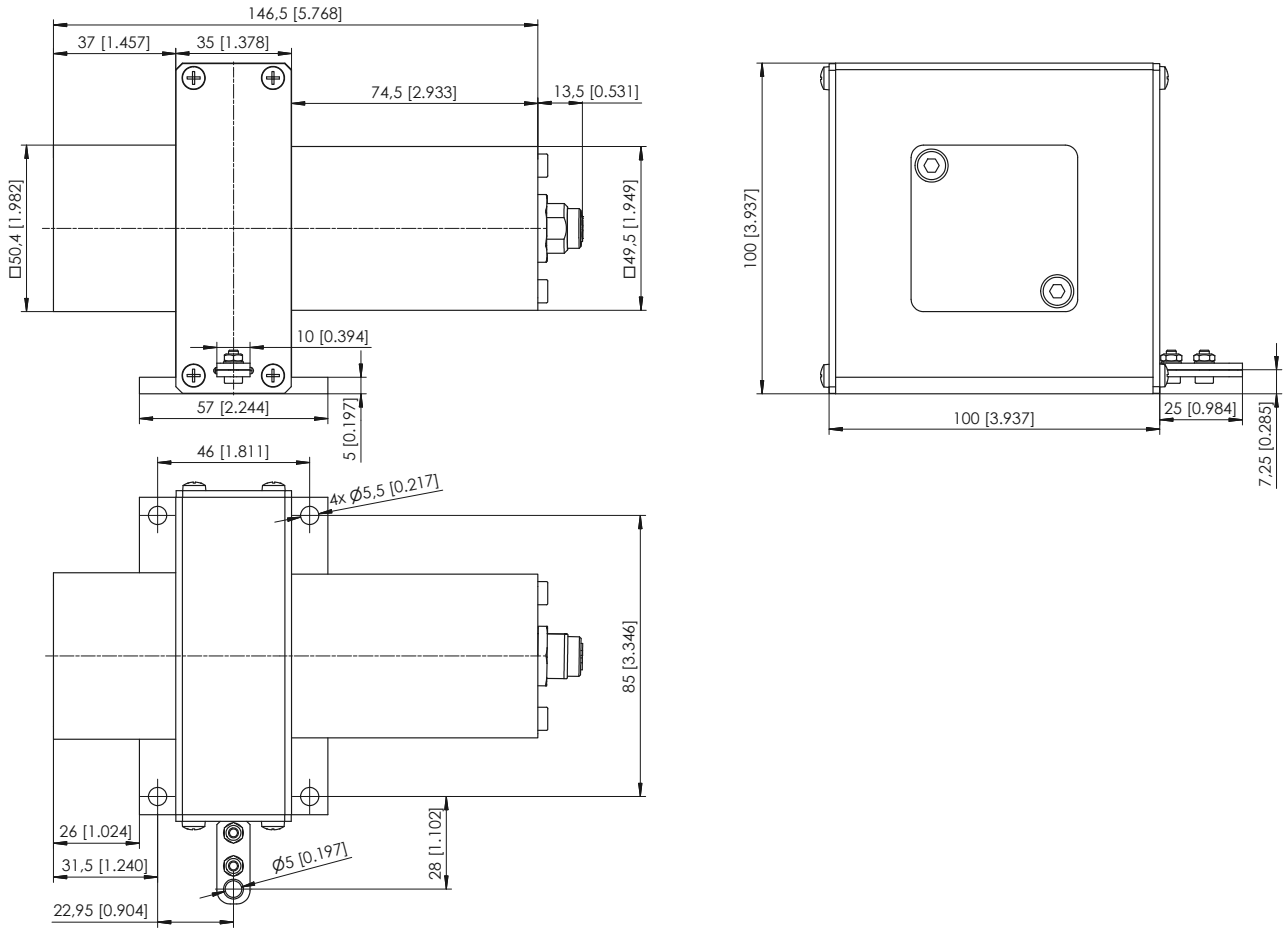
Order code connector cable **KAB-...M-M12/8F/G-LITZE** ADCANOP: **KAB-...M-M12/5F/G-M12/5M/G**

Order example: WB17KT - 6500 - 10V - M12

POSITAPE®
WB17KT
 with Analog, SSI or CANopen Output



Outline drawing
WB17KT-3500



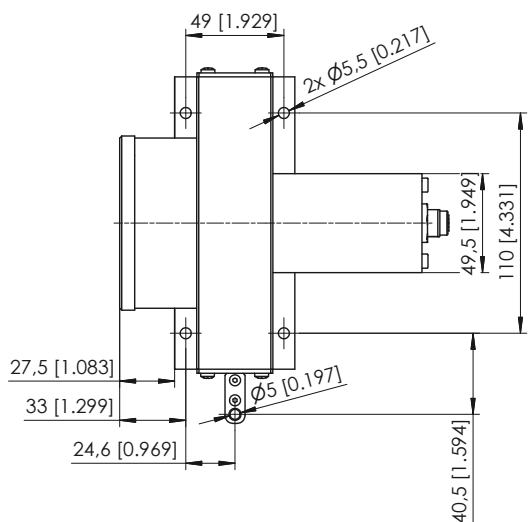
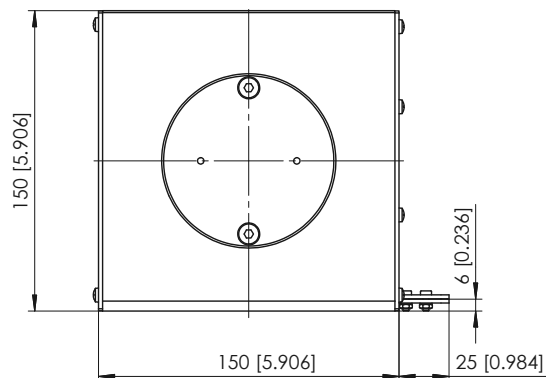
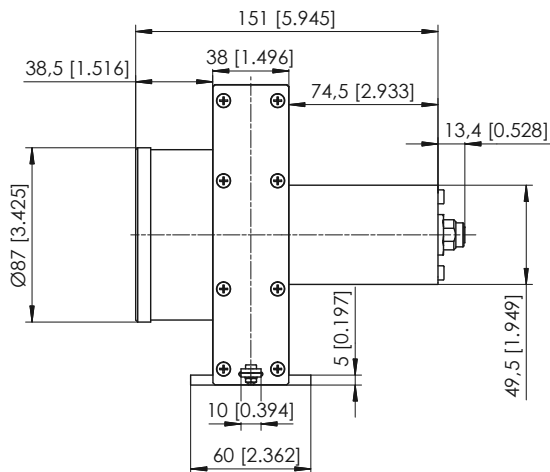
Dimensions in mm [inch]

Dimensions informative only.
 For guaranteed dimensions consult factory.

POSITAPE® WB17KT with Analog, SSI or CANopen Output



Outline drawing WB17KT-6500



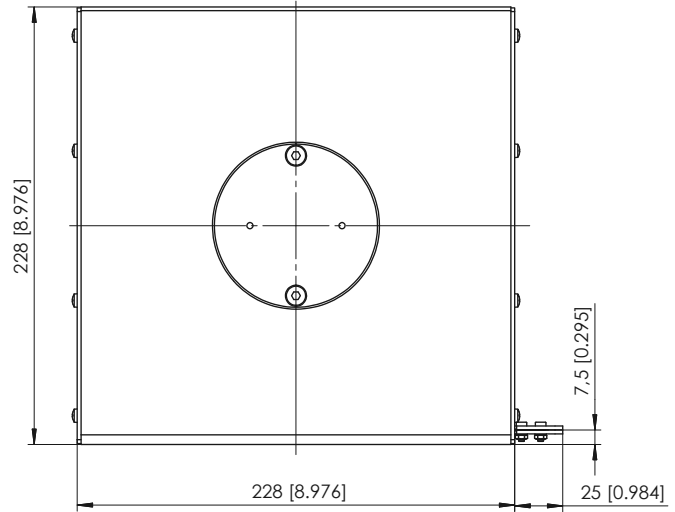
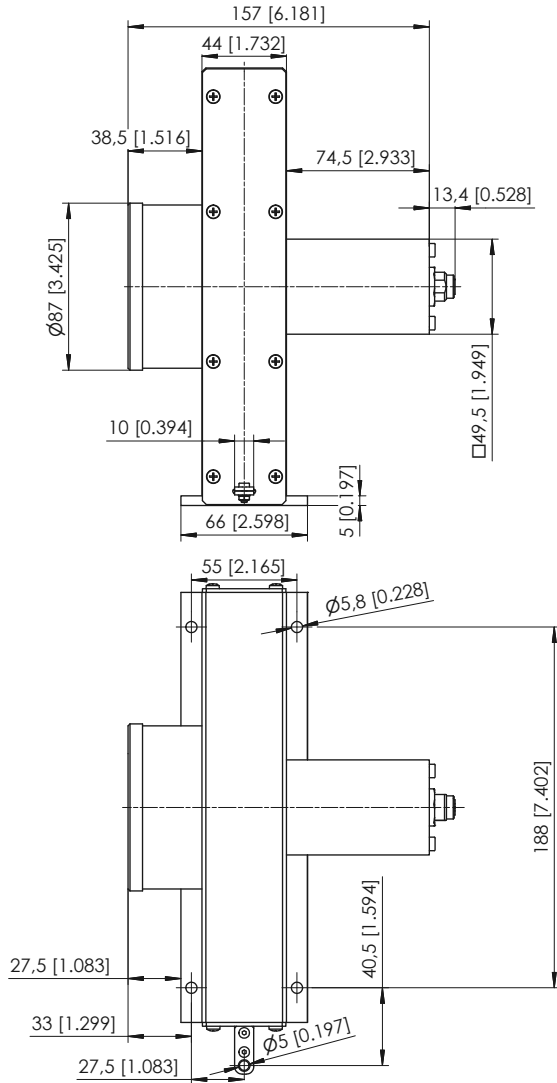
Dimensions in mm [inch]

Dimensions informative only.
For guaranteed dimensions consult factory.

POSITAPE®
WB17KT
 with Analog, SSI or CANopen Output



Outline drawing
WB17KT-10000



Dimensions in mm [inch]

Dimensions informative only.
 For guaranteed dimensions consult factory.