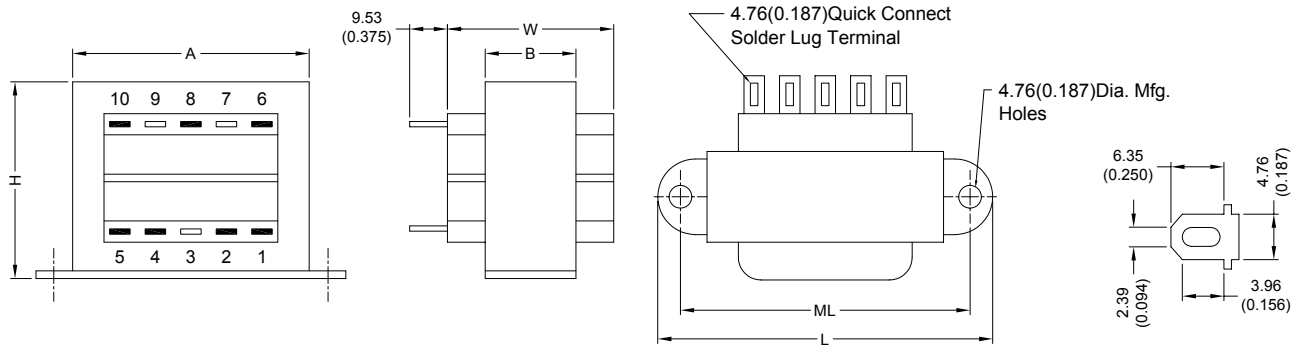


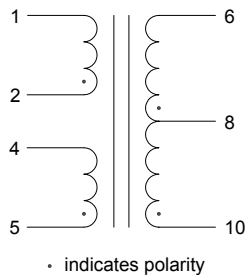
1. CONFIGURATION & DIMENSIONS :



UNIT : mm (inch)

SIZE	VA	L	W	H	A	B	ML	gram
7	56	93.68 (3.688)	46.05 (1.813)	57.15 (2.250)	68.28 (2.688)	27.00 (1.063)	79.38 (3.125)	771.11

2. SCHEMATIC :



3. ELECTRICAL CHARACTERISTICS (@ 25°C) :

- | | |
|--------------------------------------|------------------------------|
| a. Primary Voltage | AC 115/230 V 50/60 Hz . |
| b. No Load Primary Current | Less Than 80mA / 105mA . |
| c. Secondary Voltage (±5%) | |
| Pin 6-10 C.T. Pin 8 | AC 7.00 V / 7.00 V . |
| d. Secondary Load Current | 9.00A . |
| e. Full Load Primary Current | Less Than 620mA / 330mA . |
| f. Full Load Secondary Voltage (±5%) | 6.00V / 6.00V . |
| Pin 6-10 C.T. Pin 8 | |
| g. DC Resistance | |
| Pin 1-2 | Primary-1 = 18.00 Ohm . |
| Pin 4-5 | Primary-2 = 21.80 Ohm . |
| Pin 6-8 | Secondary-1 = - Ohm . |
| Pin 8-10 | Secondary-2 = - Ohm . |
| h. Insulation Resistance | DC 500V 100Meg Ohm Of More . |
| i. Withstand Voltage (Hi-Pot) | AC 2500V 60Hz 1 Minutes . |
| j. Temperature Rise | Less Than 60 Deg C . |
| k. Core Size | EI-66 x 26.00 m/m . |

l. Turns & Wire Gauge

Primary-1	Pin 1-2	385	Turns Diameter = 0.29 mm
Primary-2	Pin 4-5	385	Turns Diameter = 0.29 mm
Secondary	Pin 6-8-10	18 x 2	Turns Diameter = 1.60 mm



RoHS Compliant

NOTE : Specifications subject to change without notice. Please check our website for latest information.

25.02.2008



SUPERWORLD ELECTRONICS (S) PTE LTD