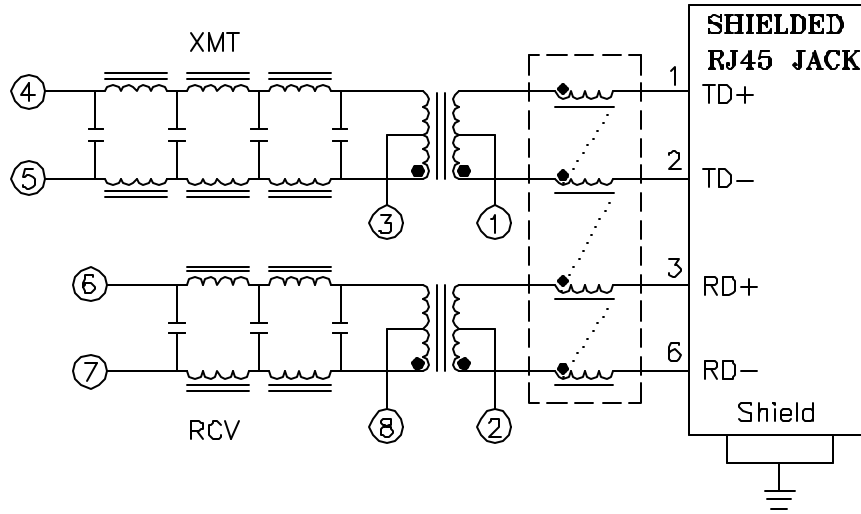


Schematic:



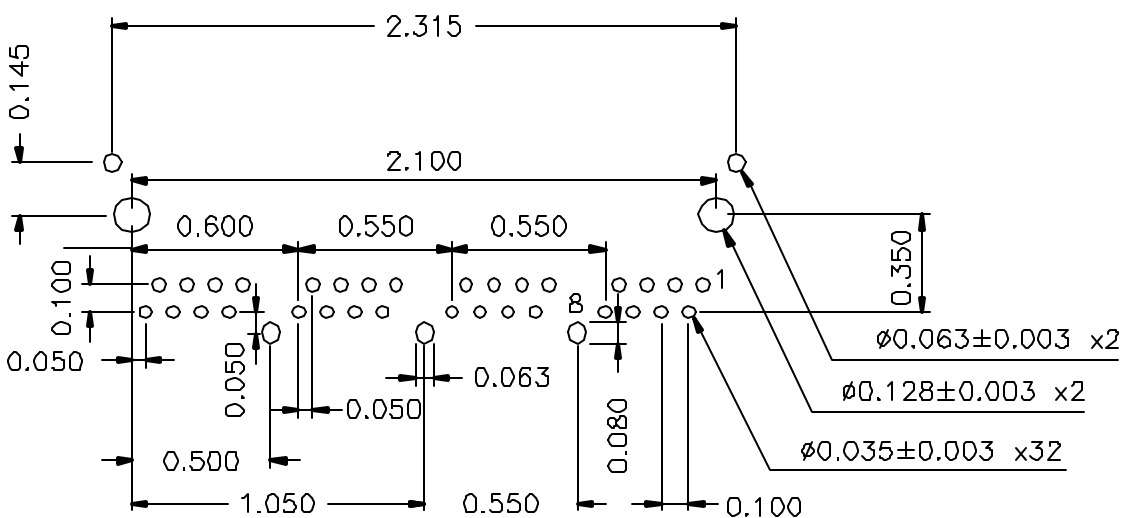
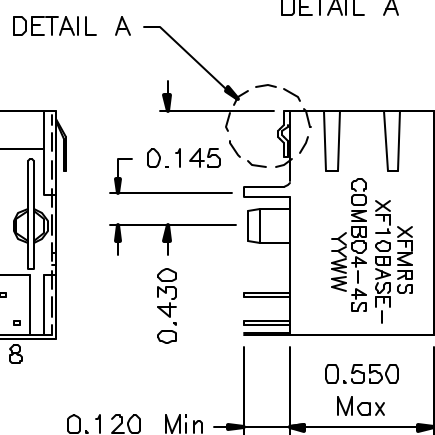
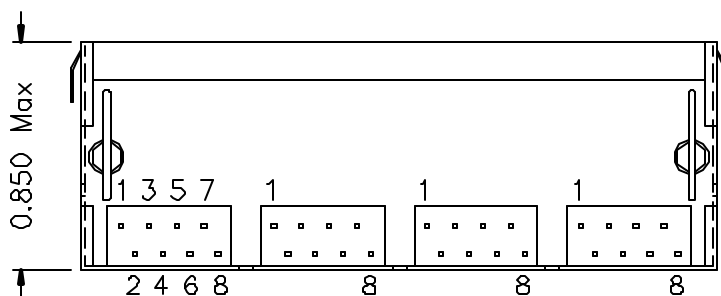
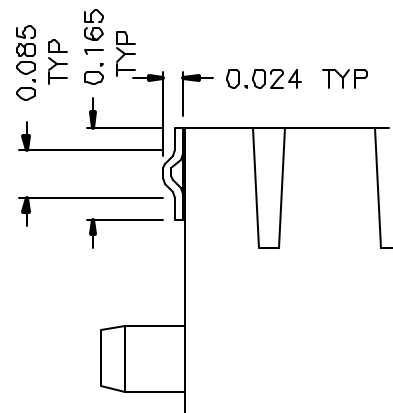
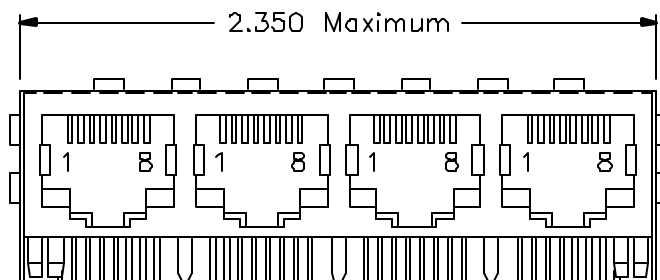
Electrical Specifications: @25°C

ISOLATION: 1500 VRMS (Input to Output)
 ISOLATION: 500 VRMS (XMT to RCV)
 INSERTION LOSS (1-10MHz): -1.0dB Maximum
 ATTENUATION @30MHz:
 TRANSMIT -30dB Minimum
 RECEIVER -18dB Minimum
 RETURN LOSS (1-10MHz): -15dB Minimum
 CUTOFF FREQUENCY: 17MHz TYPICAL
 CROSSTALK (1-10MHz): -30dB Minimum
 I/O IMPEDANCE: 100 OHMS

DOC. REV: A/1

XFMRs Inc	Title: 10 BASE-T FILTER COMBO		
	UNLESS OTHERWISE SPECIFIED	P/N: XF10BASE-COMBO4-4S	REV. A
TOLERANCES: .xxx ±0.010	DWN.	廖玉坤	Jan-27-00
Dimensions in INCH	CHK.	李清儿	Jan-27-00
SHEET 1 OF 2	APP.	Joe Huff	Jan-27-00

Mechanical Dimensions: (FOR COMB04-4S)



SUGGESTED MOUNTING PATTERN

XFMRS Inc. UNLESS OTHERWISE SPECIFIED TOLERANCES: .xxx ±0.010 Dimensions in Inch SHEET 2 OF 2	Title: Mechanical Dimensions For COMB04-4S Series	
	P/N: XF10BASE-COMB04-4S	REV A
	DWN. 廖玉坤	Jan-27-00
	CHK. 李清儿	Jan-27-00
DOC. REV: A/1	APP. Joe Huff	Jan-27-00